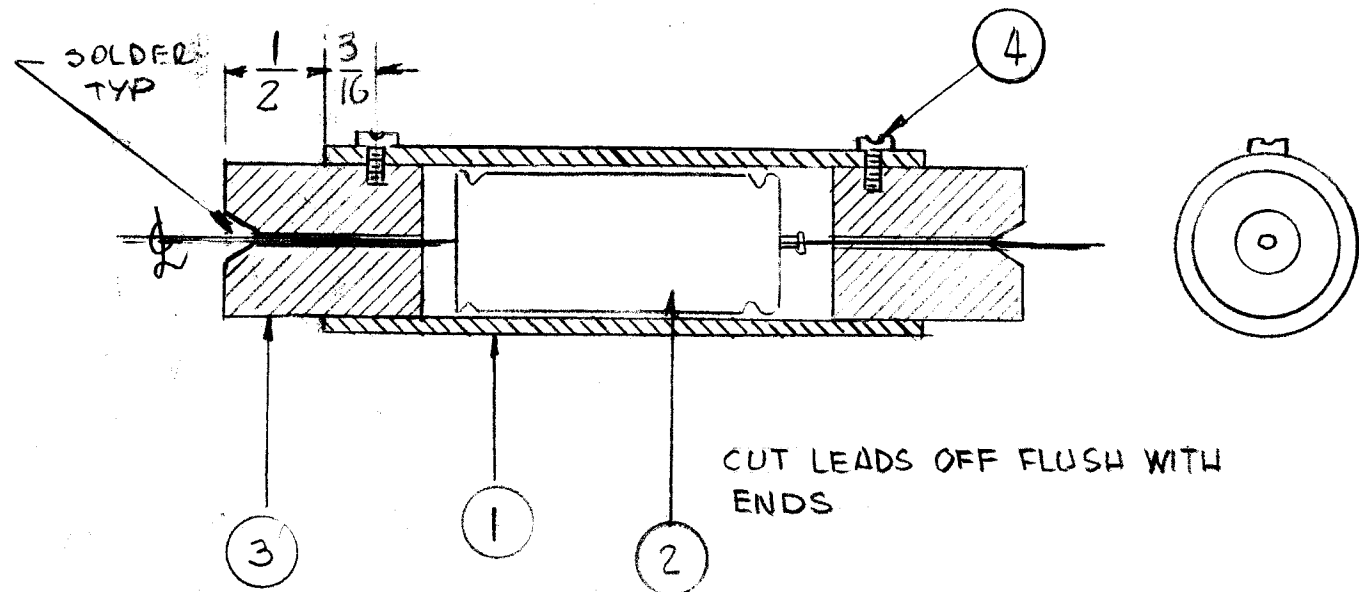


A 1131-B
NO LONGER AVAILABLE
REPLACED WITH A1131-C



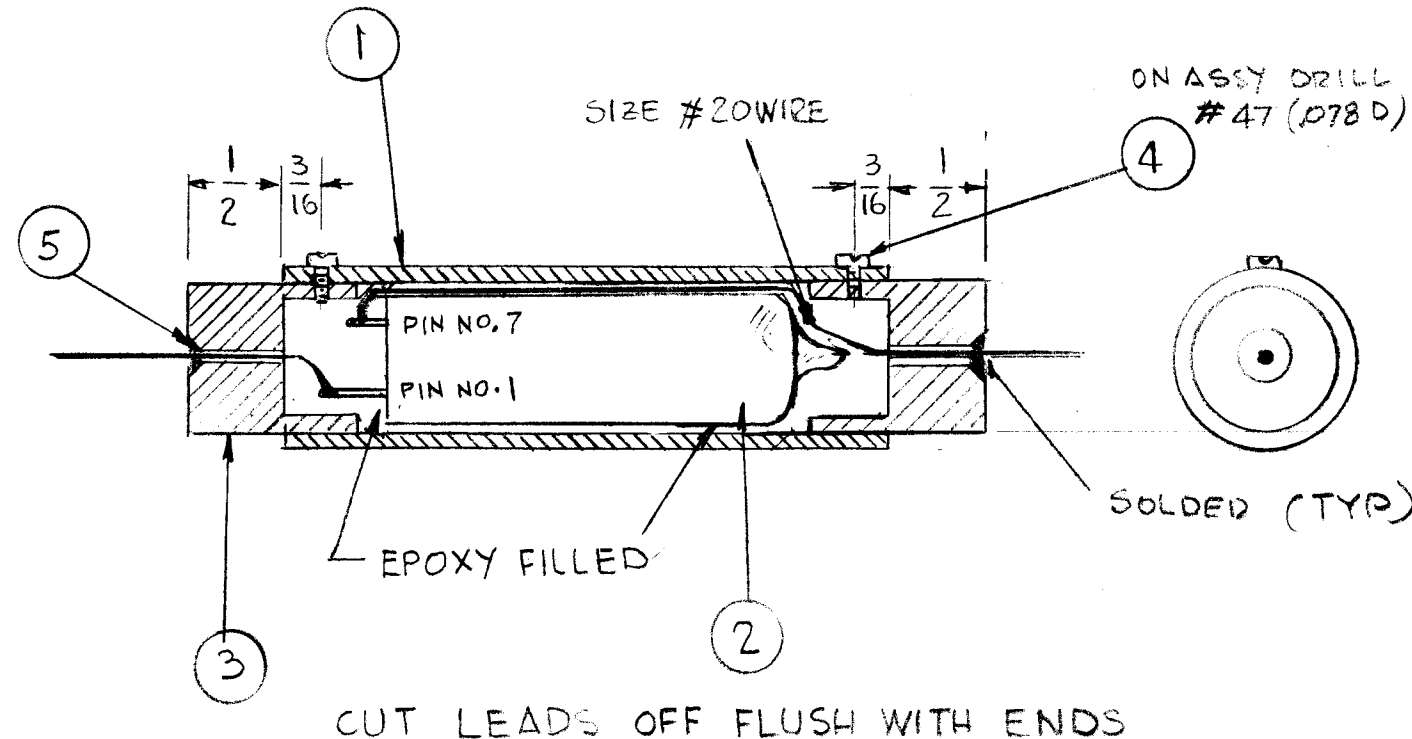
REQ. ITEM	PART NO	DESCRIPTION
X 5	BS100	SOLDER SOFT
2 4	SFB0256SC4	SCREW, THD CUTTING
2 3	PM-371	CONTACT
1 2	PO 139	GAS DIODE
1 1	PX-311	CASE PHENOLIC

QTY / UNIT	MODEL USED ON	ASS'Y NO.
	SW 176	
APPLICATION		
	CODE	

NOTICE TO PERSONS RECEIVING THIS DRAWING
 THE TECHNICAL MATERIEL CORPORATION claims proprietary right in the material disclosed hereon. This drawing is issued in confidence for engineering information only and may not be reproduced or used to manufacture anything shown hereon without permission from THE TECHNICAL MATERIEL CORPORATION to the user. This drawing is loaned for mutual assistance and is subject to recall at any time.

REVISIONS							
E.M.N. NO.	DRAFT	CHKD	ZONE	LTR	DESCRIPTION	DATE	APPROVED
23024	GDL			C	DRAWING WAS ON SIZE "A" A1131-C ADD NOTE NO LONGER AVAILABLE ADD	3-15-84	

A1131-C



REQ'D ITEM	PART NUMBER	DESCRIPTION	SYM.
X 5	PX100	SOLDER SOFT	
2 4	SFB056SC4	SCREW, THD CUTTING	
2 3	PM1608	CONTACT	
1 2	PO 346	ELECTRON. TUBE	
1 1	PX 311	CASE PHENOLIC	

LIST OF MATERIAL

UNLESS OTHERWISE SPECIFIED DIMENSIONS ARE IN INCHES AND INCLUDE CHEMICALLY APPLIED OR PLATED FINISHES	FINAL APPROVAL	DATE
DECIMALS .X ± .05 .XX ± .01 .XXX ± .005	MECH. DES.	DATE
FRACTIONS 1/64 ANGLES 0°-30'	ELECT. DES.	DATE
MATERIAL	CHECKED	DATE
FINISH	DRAWN	DATE

THE TECHNICAL MATERIEL CORP. MAMARONECK, NEW YORK			
SW 176 - CASE ASSY.			
SIZE	CODE IDENT. NO.	DWG NO.	ISSUE
B	82679	A 1131-	C
SCALE	SHEET		OF