

IF IT IS FOUND DESIRABLE TO CHANGE ANY TOLERANCE OR OTHER DETAIL SPECIFIED ON THIS DRAWING NOTIFY THE PURCHASER PROMPTLY.

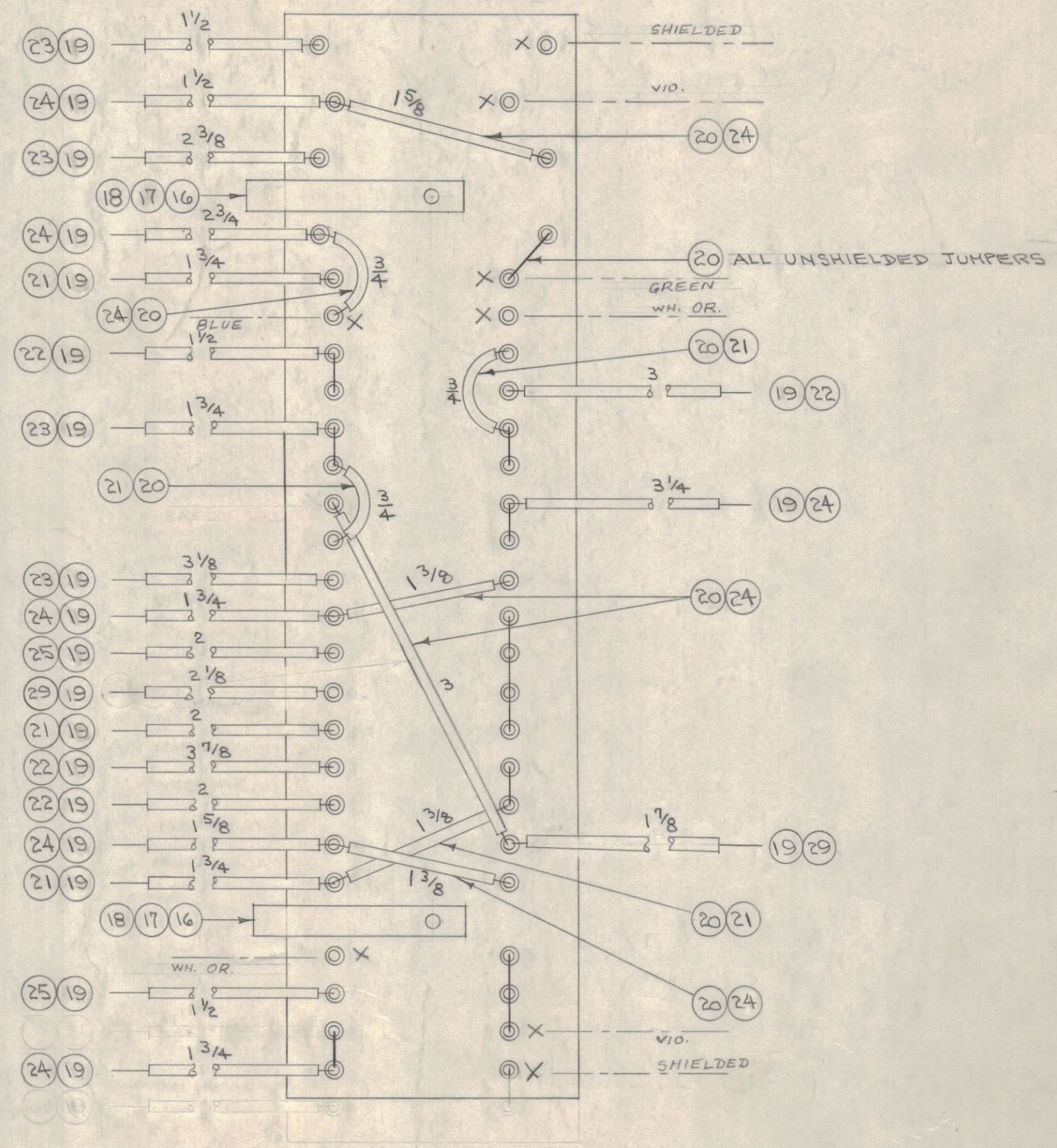
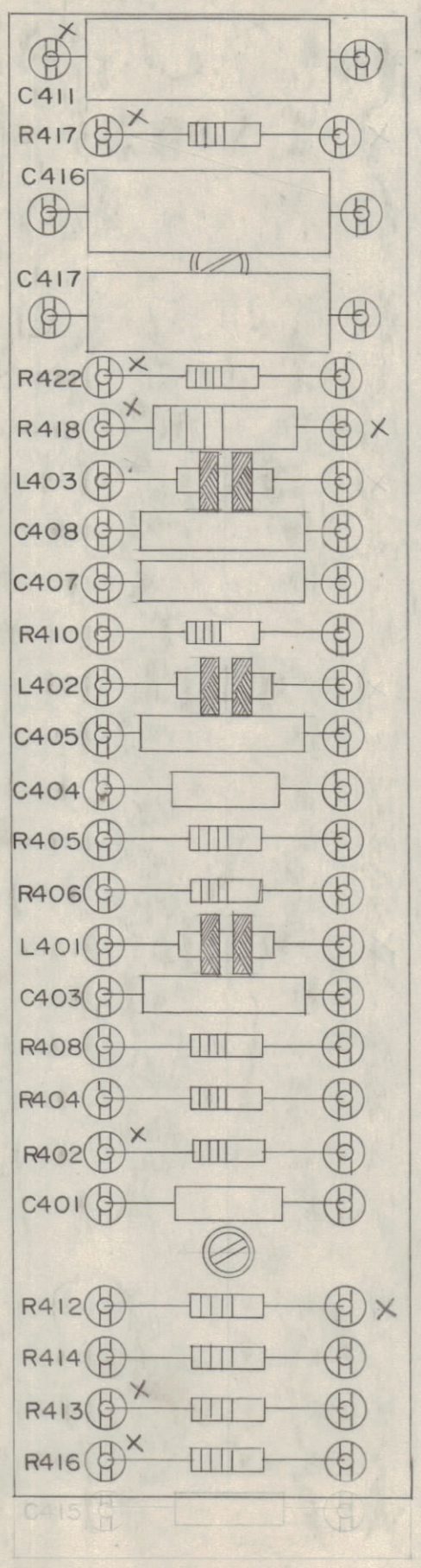
MAXIMUM ALLOWABLE TOLERANCES HAVE BEEN DETERMINED AND DEVIATIONS WILL BE CAUSE FOR REJECTION. REMOVE ALL BURRS AND SHARP EDGES

NOTICE TO PERSONS RECEIVING THIS DRAWING

THE TECHNICAL MATERIEL CORPORATION claims proprietary right in the material disclosed hereon. This drawing is issued in confidence for engineering information only and may not be reproduced or used to manufacture anything shown hereon without permission from THE TECHNICAL MATERIEL CORPORATION to the user. This drawing is loaned for mutual assistance and is subject to recall at any time.

Property of:

THE TECHNICAL MATERIEL CORPORATION
MAMARONECK, NEW YORK



X	29	PX104-3-022	INSULATION, SLEEVING	
1	28	RC20GF103K	RESISTOR, FIXED	R422
1	27	RC30GF333K	RESISTOR, FIXED	RA02
X	26	BS-100	SOLDER, SOFT	
X	25	PX104-9-022	INSULATION, SLEEVING	VIO.
X	24	-6-		BLUE
X	23	-4-		GRN.
X	22	-2-		YEL.

A-1124 B

X	21	PX104-1-022	INSULATION, SLEEVING	BLK.
X	20	WL-100-8	WIRE, BUSS BAR	24 GA.
X	19	WL-100-7	"	" " 22 GA.
2	18	LWEOGMRC	WASHER, LOCK	
2	17	SCBS06328C6	SCREW, MACHINE	
2	16	PM-370	BRACKET	
1	15	RC42GF823K	RESISTOR, FIXED	RA18
1	14	RC20GF224K		RA17
1	13	RC20GF104K		RA14
1	12	RC20GF105K		RA13
1	11	RC20GF102K		RA10
1	10	RC20GF181K		RA08
1	9	RC20GF823K		RA06
1	8	RC20GF332K		RA05
2	7	RC20GF102K		RA16 RA04
1	6	RC20GF563K		RA12
3	5	CL-100-5	CHOKE	
3	4	CN-100-4	CAPACITOR, FIXED	
4	3	CM35C103J		
2	2	CM208102J		
1	1	A-1123	TERM. BD. SUB ASSY.	

STAMP AS SHOWN ABOVE
Y8 HIGH BLACK BOTTLE
C41 WITH 2-43 F340
RESISTANT VARNISH

X- DO NOT MAKE SOLDER CONNECTION AT THIS TIME.

INDICATES WIRE FROM CABLE

- L401
- L402
- L403
- C417
- C416
- C411
- C408
- C407
- C405
- C403
- C404
- C401

B	1	Stamp Note Added - Board Stamped on A-1123	8/27/55	2	16	J. A. J.
A	2	ITEM 29 ADDED	8/16	1		J. A. J.
	1	ITEM 3 WAS CH35D103J				
ISSUE	ITEM	CHANGED FROM	DATE	CN. NO. DRAFTS	CHECKER	ENG. APP.
TOLERANCES			SCALE:			
ALL OTHERS	DEC. DIM. ±	FRAC. DIM. ±	ANGULAR DIM. ±	DRILL, PUNCH, COMMERCIAL STOCK SIZES AND MANUFACTURERS TOLERANCES ARE NOT INCLUDED.		

1	RTP-50	E-271		10-26-55
REQ PER UNIT	MODEL	PROJECT NO.	ASS'Y. NO.	DATE
USED ON				

REQ. ITEM	PART NO.	DESCRIPTION	SYMBOL
THE TECHNICAL MATERIEL CORP. MAMARONECK, NEW YORK			
STOCK SIZE			
MATERIAL WEIGHT PER PC.			
TYPE & TEMPER			
HEAT TREAT. SPEC.			
FINISH & SPEC. NO.			
TERMINAL BOARD ASSY.			
INTERCONNECT CHASSIS GPT-750			
CDD 10/26/55 O.I.P. ND			
DRAWN		ELEC. DES. APP.	MECH. DES. APP.
CHECKED		FINAL APPROVAL	
A-1124 B			