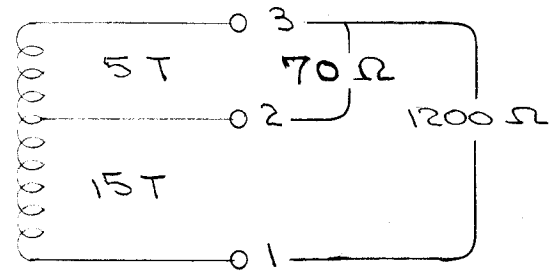
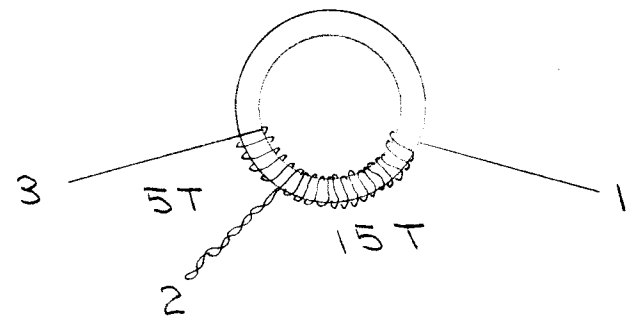


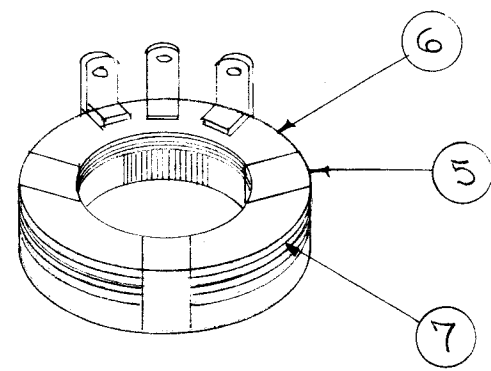
A-1118

ELECTRICAL TEST DATA

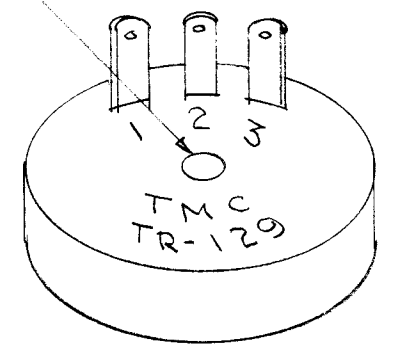
BOTH WINDINGS SAME DIRECTION



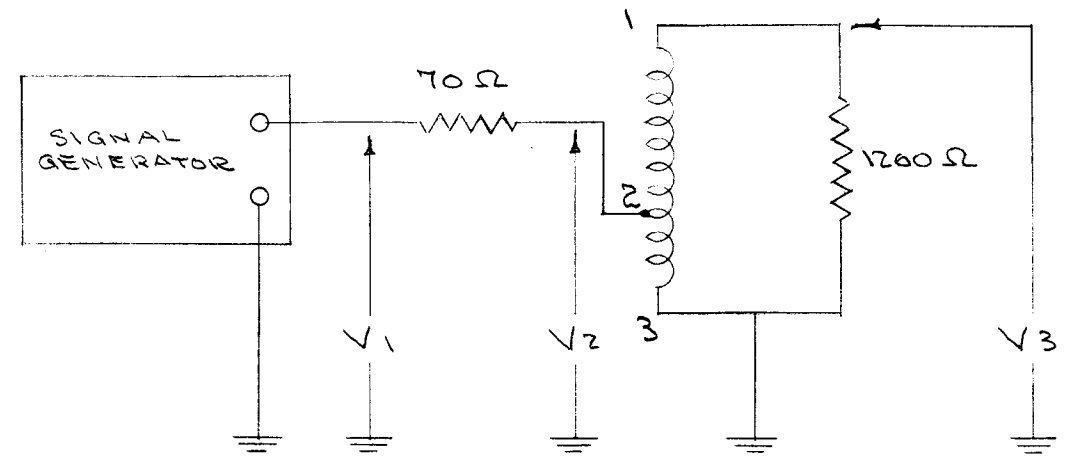
FREQ. RANGE 2-8 MC. ± 3db
70Ω TO 1200Ω UNBALANCED



6-32 CLEARANCE HOLE



STAMP AS SHOWN, BLACK GOTHIC



f mc.	* R.F. VOLTS		
	V ₁	V ₂	V ₃
2	1.0	.45	1.8
4	1.0	.45	1.8
8	1.0	.45	1.9

* H.P. VTVM
ABOVE READINGS ± 10%

**NOT TO BE RELEASED
W/O AUTHORIZATION**
AUTH. BY: _____
DATE: _____

1	7	A-1118	INSULATOR ASSY
2	6	IM-155	INSULATOR
X	5	TA-100-1	TAPE
X	4	GL-106	COMPOUND, PLASTIC
X	3	GL-102	Q-MAX
X	2	WI-102-9	WIRE
1	1	CI-100-3Q	CORE

REQ. ITEM	PART NO.	DESCRIPTION	SYMBOL
THE TECHNICAL MATERIEL CORP. MAMARONECK, NEW YORK			
STOCK SIZE		TRANSFORMER, 70Ω-1200Ω U.B.	
MATERIAL		TR-129 MULT. GPT-750	
TYPE & TEMPER		HEAT TREAT. SPEC.	CDD.10-4-55
DRAWN		CHECKED	FINAL APPROVAL
FINISH & SPEC. NO.		ELEC. DES. APP.	MECH. DES. APP.

OBSOLETE

12-21-55
PB

ISSUE	ITEM	CHANGED FROM	DATE	CH. NO.	DRAFTS	CHECKER	ENG. APP.
TOLERANCES			SCALE:				
DEC. DIM. ±			MAXIMUM ALLOWABLE TOLERANCES HAVE BEEN DETERMINED AND ANY DEVIATIONS WILL BE CAUSE FOR REJECTION.				
FRAC. DIM. ±			REMOVE ALL BURRS AND SHARP EDGES				
ANGULAR DIM. ±							

1	GPT-750			10-5-55
REQ. PER UNIT	MODEL	PROJECT NO.	ASS'Y. NO.	DATE
USED ON				