

ISSUE	ITEM	CHANGED FROM	DATE	CH. NO.	DRAFTS	CHECKER	ENR. APP.
Ø		REL TO PROD	12 MAR 71		PW		



- NOTES:
- 1- TIN LEAD PLATE .0003 THK ALL OVER.
  - 2- MATERIAL: FL-GE. .062-2/0
  - 3- HOLE SIZES INDICATED AFTER PLATING.
  - 4- BOARD TO BE IN ACCORDANCE WITH T.M.C SPEC. 735

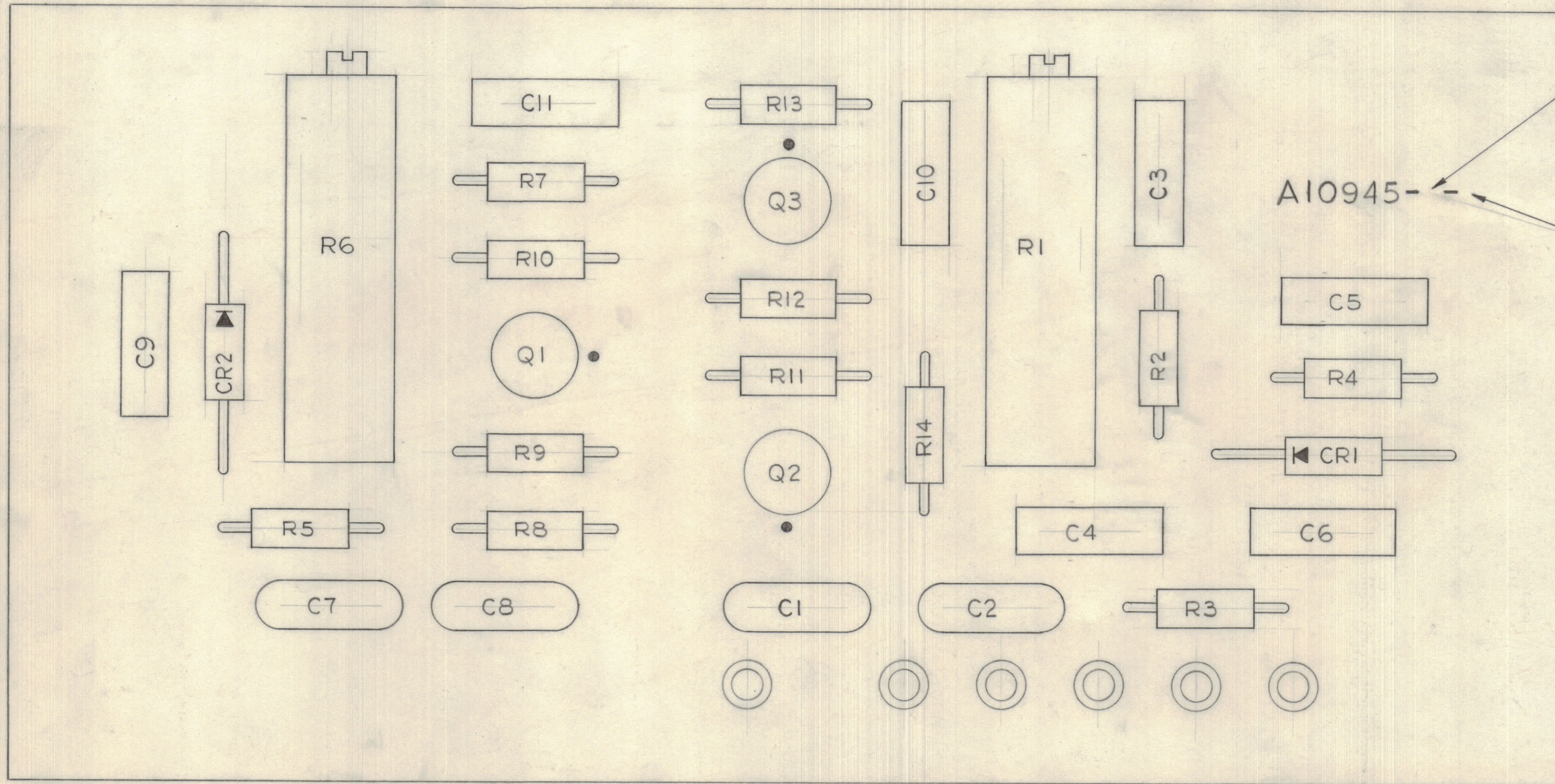
HOLE DATA		
REF	DESCRIPTION	REQD
A	.140 DIA	4
B	.082 DIA	6
NONE	.037 DIA	59
C	.062 DIA	6

MTR100A	087/69/70	A10945-5	24 NOV 70	TMC (Canada) LIMITED OTTAWA ONTARIO	
USED ON				P.C. BOARD ASSEMBLY	
MAXIMUM ALLOWABLE TOLERANCES HAVE BEEN DETERMINED AND DEVIATIONS WILL BE CAUSE FOR REJECTION REMOVE ALL BURRS AND SHARP EDGES				ALDC & MONITOR BOARD	
IF IT IS FOUND DESIRABLE TO CHANGE ANY TOLERANCE OR OTHER DETAIL SPECIFIED ON THIS DRAWING NOTIFY THE PURCHASER PROMPTLY.				M. Dagenais	
TOLERANCES				DRAWN	
ALL	DEC DIM ± .05	SCALE 4:1		ELEC DES APP	
OTHERS	FRAC DIM ± 1/64	DIMENSIONS IN INCHES UNLESS OTHERWISE SPECIFIED		MECH DES APP	
	ANGULAR DIM ± 0° 30'	DRILL PUNCH COMMERCIAL STOCK SIZES AND MANUFACTURERS TOLERANCES ARE NOT INCLUDED.		CHECKED	
				FINAL APPROVAL	
				SHEET 2 OF 5	
				A10945-2	



IF IT IS FOUND DESIRABLE TO CHANGE ANY TOLERANCE OR OTHER DETAIL SPECIFIED ON THIS DRAWING NOTIFY THE PURCHASER PROMPTLY.		DIMENSIONS IN INCHES UNLESS OTHERWISE SPECIFIED					
MAXIMUM ALLOWABLE TOLERANCES HAVE BEEN DETERMINED AND DEVIATIONS WILL BE CAUSE FOR REJECTION. REMOVE ALL BURRS AND SHARP EDGES.							
ISSUE	ITEM	CHANGED FROM	DATE	CH. NO.	DRAFTS	CHECKER	ENG. APP.
Ø		REL TO PROD	12 MAR 71		PW		
XI		SEE PER 05112	10/27/70		MCL		

REQ.	ITEM	PART NO.	DESCRIPTION	SYMBOL
11	1		CAPACITOR	
2	2		DIODE	
12	3		RESISTOR	CR1 CR2
2	4		RESISTOR VARIABLE	R1 R6
3	5		TRANSISTOR	Q1, Q2 Q3
6	6	TE127-2	TERMINAL, STUD	



NOTES:  
1- FOR ELECTRICAL PART NO'S REFER TO NUMERICAL PARTS LIST.

TOLERANCES		SCALE: 4:1
ALL	DEC. DIM. ± .05	DRILL, PUNCH, COMMERCIAL STOCK
OTHERS	FRAC. DIM. ± 1/64 .XX*.01	SIZES AND MANUFACTURERS
	ANGULAR DIM. ± 0° 30' .XXX*.008	TOLERANCES ARE NOT INCLUDED.

MTR100A	087/69/70	A10585	25 NOV 70
MODEL	PROJECT NO.	ASS'Y. NO.	DATE

STOCK SIZE		TMC (Canada) LIMITED	
		OTTAWA ONTARIO	
MATERIAL		P.C. BOARD ASSEMBLY	
WEIGHT PER PC.		ALDC & MONITOR BOARD	
TYPE & TEMPER	M. Dagenais	1/4	
	DRAWN	ELEC. DES. APP.	MECH. DES. APP.
	PROCTOR		
HEAT TREAT. SPEC.	CHECKED	FINAL APPROVAL	
		SHEET 5 of 5 A10945-5	
FINISH & SPEC. NO.			



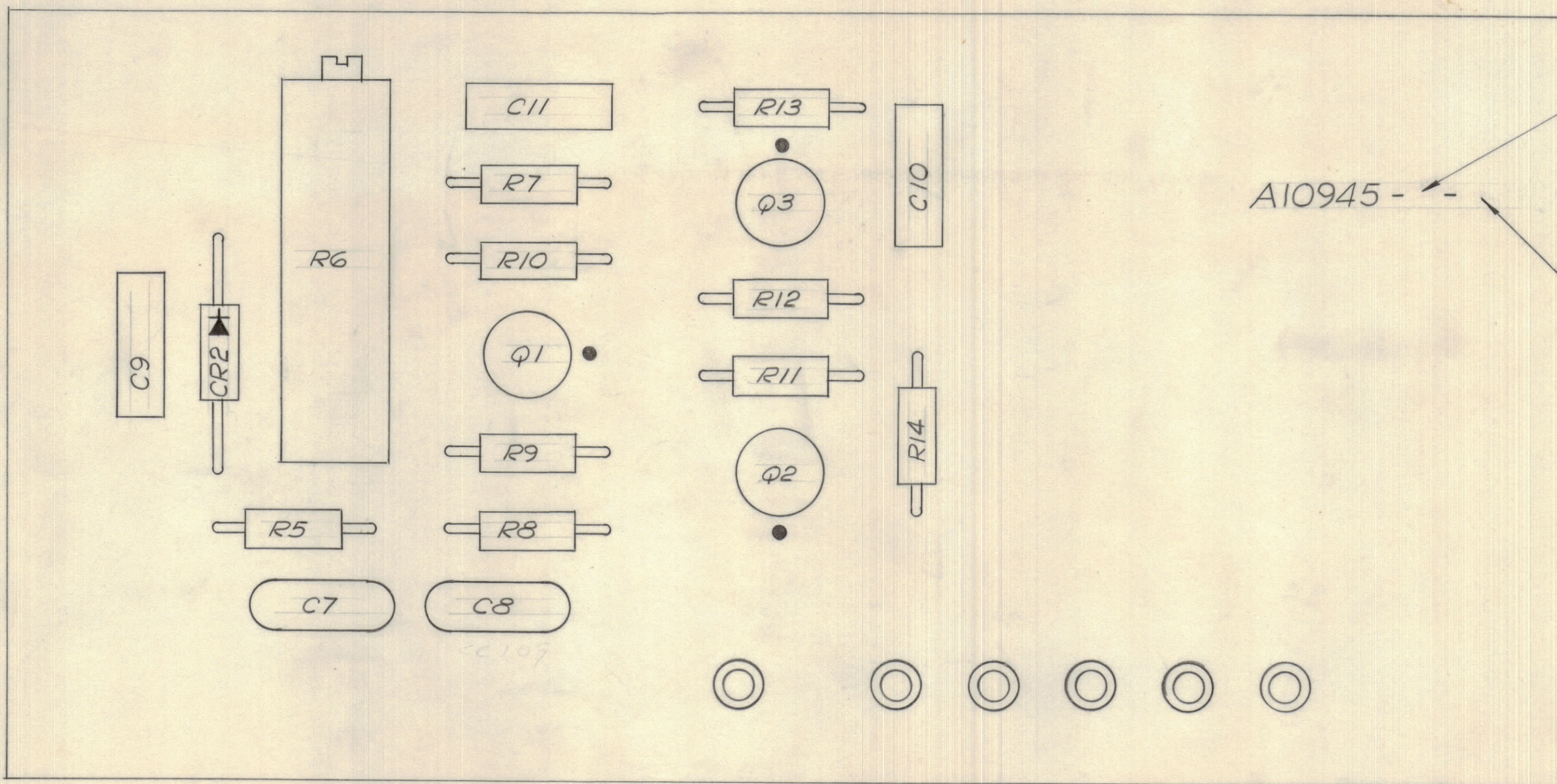
IF IT IS FOUND DESIRABLE TO CHANGE ANY TOLERANCE OR OTHER DETAIL SPECIFIED ON THIS DRAWING NOTIFY THE PURCHASER PROMPTLY.

MAXIMUM ALLOWABLE TOLERANCES HAVE BEEN DETERMINED AND DEVIATIONS WILL BE CAUSE FOR REJECTION. REMOVE ALL BURRS AND SHARP EDGES.

DIMENSIONS IN INCHES UNLESS OTHERWISE SPECIFIED

ISSUE	ITEM	CHANGED FROM	DATE	CN. NO.	DRAFTS	CHECKER	ENG. APP.
			10/9/71	93	WJK		

REQ	ITEM	PART NO.	DESCRIPTION	SYMBOL
5	1		CAPACITOR	
1	2		DIODE	CR2
9	3		RESISTOR	
1	4		RESISTOR VARIABLE	R6
3	5		TRANSISTOR	



NOTE:  
1. FOR ELECTRICAL PART No's, REFER TO NUMERICAL PARTS LIST

TOLERANCES		SCALE: 4/1 APPROX.
ALL OTHERS	DEC. DIM. ± 1/64 FRAC. DIM. ± 1/64 ANGULAR DIM. ± 0°30'	DRILL, PUNCH, COMMERCIAL STOCK SIZES AND MANUFACTURERS TOLERANCES ARE NOT INCLUDED.

MODEL	PROJECT NO. C11164	ASSY. NO.	DATE 16 MAR 71
-------	--------------------	-----------	----------------

STOCK SIZE		TMC (Canada) LIMITED OTTAWA ONTARIO	
MATERIAL		P.C. BOARD ASSEMBLY MONITOR BOARD	
WEIGHT PER PC.		THOMAS	
TYPE & TEMPER.		DRAWN	ELEC. DES. APP.
HEAT TREAT. SPEC.		CHECKED	FINAL APPROVAL
FINISH & SPEC. NO.		SHEET # OF # A10945-6 X	