

A10812-5 A

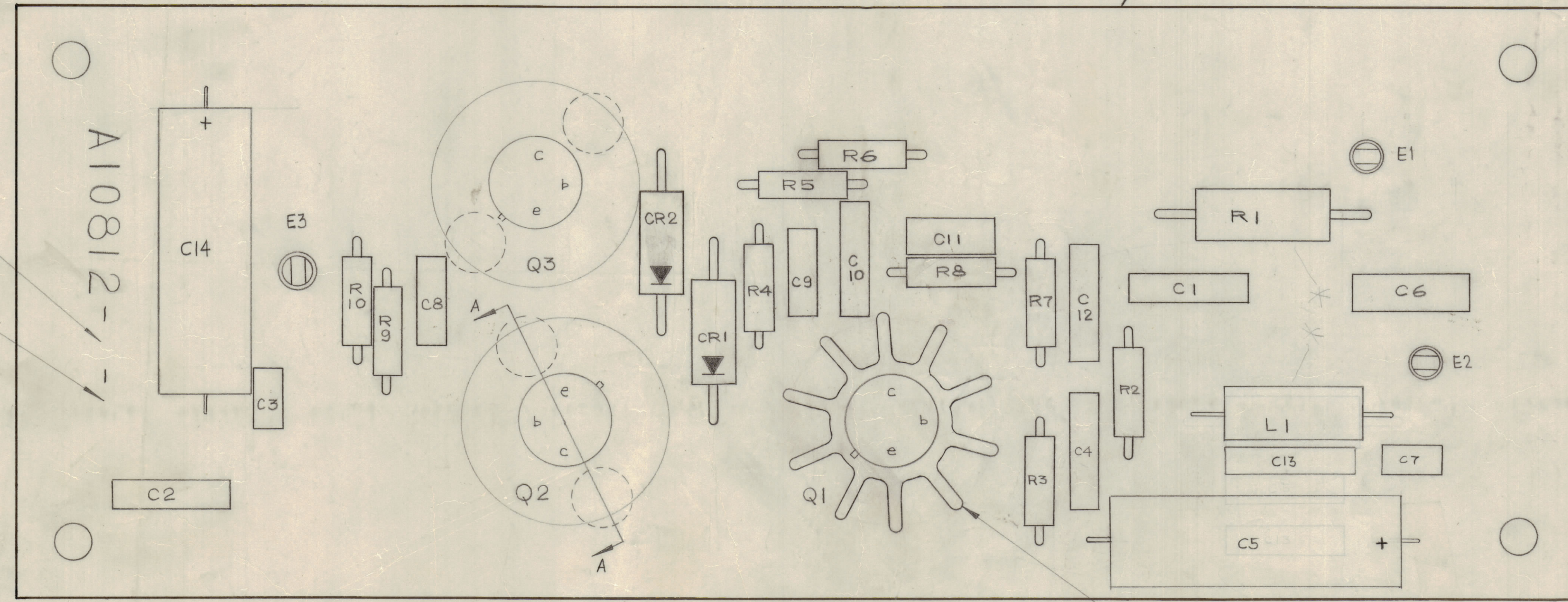
IF IT IS FOUND DESIRABLE TO CHANGE ANY TOLERANCE OR OTHER DETAIL SPECIFIED ON THIS DRAWING NOTIFY THE PURCHASER PROMPTLY.		DIMENSIONS IN INCHES UNLESS OTHERWISE SPECIFIED					
MAXIMUM ALLOWABLE TOLERANCES HAVE BEEN DETERMINED AND DEVIATIONS WILL BE CAUSE FOR REJECTION. REMOVE ALL BURRS AND SHARP EDGES.							
ISSUE	ITEM	CHANGED FROM	DATE	CN. NO.	DRAFTS	CHECKER	ENG APP.
φ		REL. TO PROD	8-11-58			Y.M.	
A		REV PER CEMN	01-07-59	1259		JMM	
B		MATER. LIST CLARIFIED	6-23-59			GEL	
C		NOTE .ON10812-6 ADD	7-8-59			SOL	

REQ	ITEM	PART NO.	DESCRIPTION	SYMBOL
1	1	A10812-4	P.C. SUB ASS'Y	
1	2	HD-10002-7	HEAT SINK	
2	3	HD-10004	HEAT SINK	
2	4	2N3866	TRANSISTOR NPN	Q1, Q3
1	5	2N5160	TRANSISTOR PNP	Q2
1	6	RNG5D61R9E	RESISTOR, FIXED 1/4W	R1
1	7	RL075102G	RESISTOR, FIXED 1/4W	R2
1	8	RL075510G		R3
1	9	RL075680G		R4
1	10	RL075581G	WASHER FLAT	R5
1	11	RL075271G	WASHER LOCK SPLIT	R6
1	12	RL075752G		R7
1	13	RL075181G		R8
2	14	RL075100G	RESISTOR, FIXED 1/4W	R9, R10
7	15	CC10018	CAPACITOR, FIXED 224F	C1, C2, C4, C5, C6, C7, C8, C9, C10, C12, C13
3	16	CC10020	CAPACITOR, FIXED 0.14F	C3, C7, C8
2	17	CCE10009	CAPACITOR, FIXED 68UF	C5, C14
1	18	CC10021	CAPACITOR, FIXED 0.47UF	C9
1	19	CM04ED050J03	CAPACITOR, FIXED MICA, 5PF	C11
2	20	1N456A	DIODE	CR1, CR2
* 1	21	CL275-221	COIL, EF	L1
4	22	FW02 HBN	WASHER FLAT	
4	23	LWS02MFN	WASHER, LOCK, SPLIT	
4	24	5CBP0236BN4	SCREW, MACHINE	
1	25	PX 829-1	PAD, TRANSISTOR MTG	
X	26	GL 138	COMPOUND SILICON H.S	

NOTE: FOR ELECTRICAL PART NO.S REF. TO NUMERICAL PARTS LIST.

R1, R2, R3, R4, R5, R6, R7, R8, R9, R10  
C1, C2, C3, C4, C5, C6, C7, C8, C9, C10, C11, C12, C13

ADD DASH NO.  
TMC PART NO. COMPLETE WITH LATEST REV LETTER

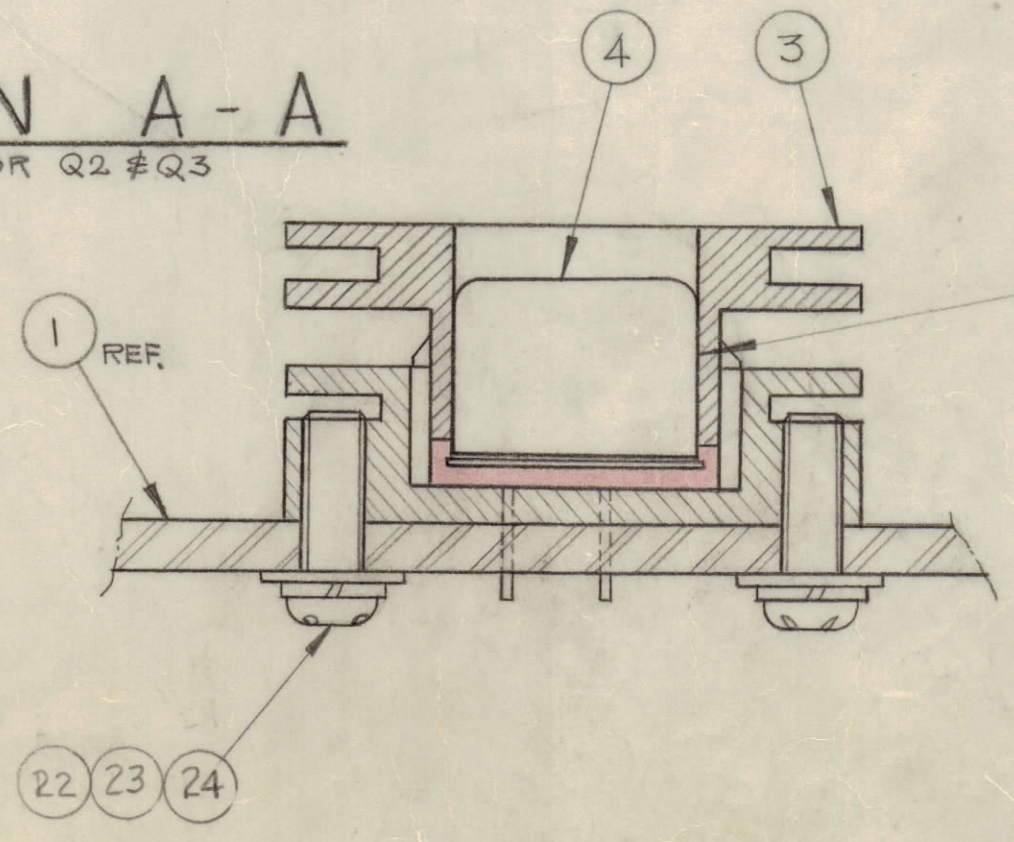


NOTE -  
ON A10812-6  
\* R1 CHANGE TO RC20GF120J  
\* L1 CHANGE TO CL275-222

FOR VAA-1 See CK2321  
\* L2 ADDED CL275-330  
X C15 ADDED 2.2.

CK2317  
HFLE

SECTION A-A  
TYPICAL ASSY FOR Q2 & Q3



APPLY HEAT SINK COMPOUND GL-138 (ITEM 13) TO SIDE FACE OF Q1

APPLY HEAT SINK COMPOUND GL-138 (ITEM 13) TO BOTH FACES OF TRANSISTOR FLANGE

TOLERANCES UNLESS OTHERWISE SPECIFIED	SCALE: 4:1
ALL DEC. DIM ± .05 OTHERS FRACTIONAL DIM ± .01 ANGULAR DIM ± 0° 30' .XXX ± .005	DRILL, PUNCH, COMMERCIAL STOCK SIZES AND MANUFACTURERS TOLERANCES ARE NOT INCLUDED

LMC 32				August 10, 1958
LMC 875-L				
MODEL	PROJECT NO.	ASSY. NO.	DATE	

STOCK SIZE		TMC (Canada) LIMITED OTTAWA ONTARIO	
MATERIAL		PRINTED CIRCUIT BOARD ASSY PRE AMP	
TYPE & TEMPER		Y. MORI	
HEAT TREAT SPEC.		CHECKED	FINAL APPROVAL
FINISH & SPEC. NO.		SHT 5 of 5	A10812-5A C