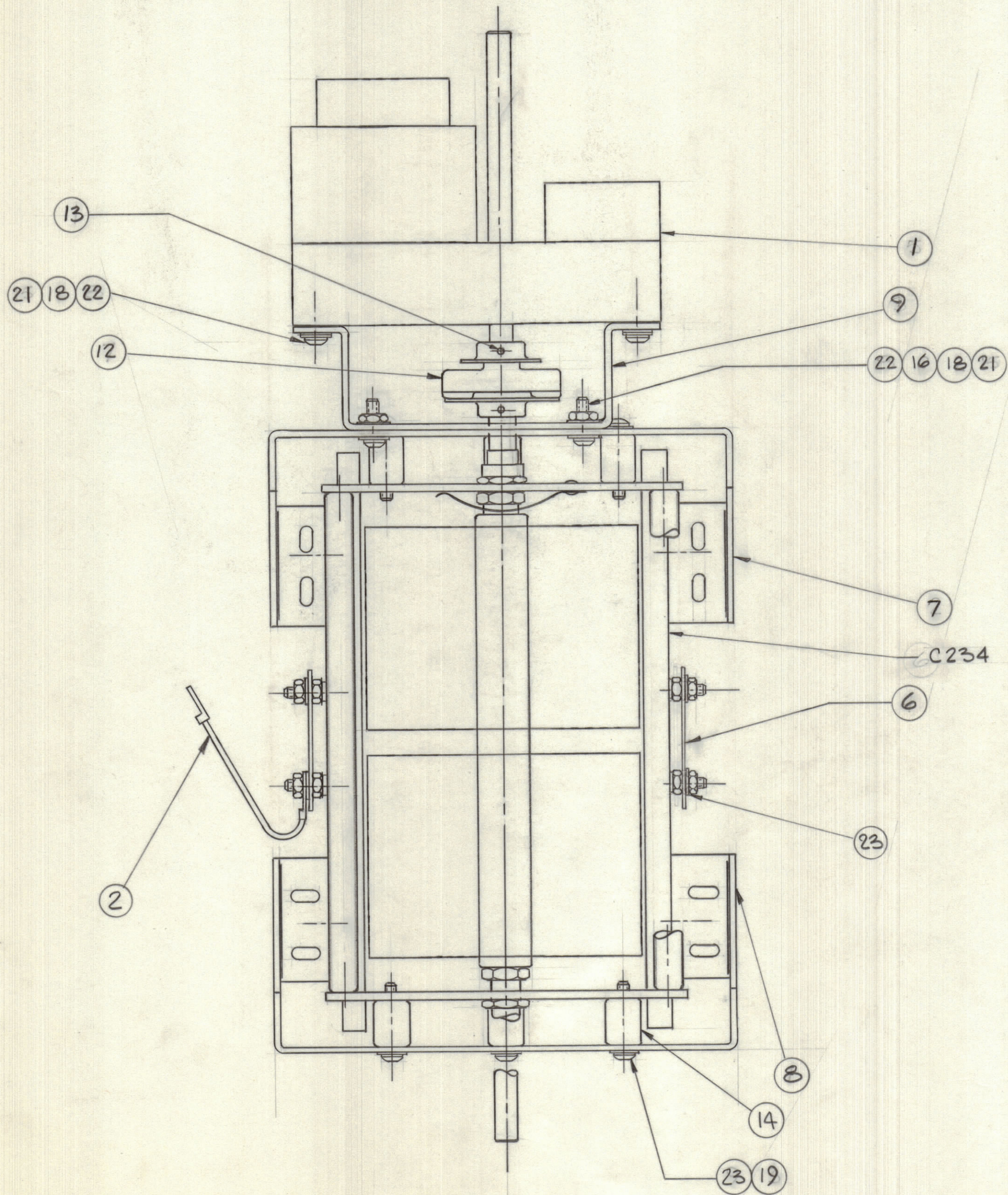


IF IT IS FOUND DESIRABLE TO CHANGE ANY TOLERANCE OR OTHER DETAIL SPECIFIED ON THIS DRAWING NOTIFY THE PURCHASER PROMPTLY.		DIMENSIONS IN INCHES UNLESS OTHERWISE SPECIFIED					
MAXIMUM ALLOWABLE TOLERANCES HAVE BEEN DETERMINED AND DEVIATIONS WILL BE CAUSE FOR REJECTION. REMOVE ALL BURRS AND SHARP EDGES.							
ISSUE	ITEM	CHANGED FROM	DATE	CH. NO.	DRAFTS	CHECKER	ENG. APP.
X		ENG. RELEASE			PL	LB	



REQ.	ITEM	PART NO.	DESCRIPTION	USED ON	REMARKS
1	1	A10782	MOTOR ASS'Y.	A10786	
1	2	CA10661-11	CABLE ASS'Y.	A10786	
	3				
1	4	CB10007	CAPACITOR, VAR., AIR	A10786	C234
	5				
2	6	MS202-44-15	LEAD CONN.	A10786	
1	7	MS11052	BKT, CAP. MTG., REAR		
1	8	MS11053	BKT, CAP. MTG., FRONT		
1	9	MS11054	BKT, GEARBOX MTG.	A10786	
	10				
	11				
1	12	MC104-1	COUPLING, FLEX.	A10786	
2	13	PN59-062-9	PIN, SPRING.	A10786	
6	14	TE117-13	SPACER	A10786	
	15				
4	16	NTA0440SS6	NUT, HEX.	A10786	
	17				
8	18	SCBP0440SS5	SCREW, PAN HD.	A10786	
6	19	SCBP0632SS12	SCREW, PAN HD.	A10786	
	20				
8	21	FWO4HSS	WASHER, FLAT	A10786	
8	22	LWE04MSS	WASHER, LOCK, TOOTH	A10786	
10	23	LWE06MSS	WASHER, LOCK, TOOTH	A10786	

A10786 X

TOLERANCES		SCALE: 1:1
ALL OTHERS	DEC. DIM. ± .X+.05 FRAC. DIM. ± 1/64 ANGULAR DIM. ± 0°30'	DRILL, PUNCH, COMMERCIAL STOCK SIZES AND MANUFACTURERS TOLERANCES ARE NOT INCLUDED.

LPA 1KD	A10852	NOV. 4/71
MODEL	PROJECT NO.	DATE

STOCK SIZE		TMC (Canada) LIMITED OTTAWA ONTARIO	
MATERIAL		CAP LOAD ASS'Y.	
TYPE & TEMPER		P. LINDSAY	
HEAT TREAT. SPEC.		L. BROWN	
FINISH & SPEC. NO.		A10786	X