

A10735-5 H

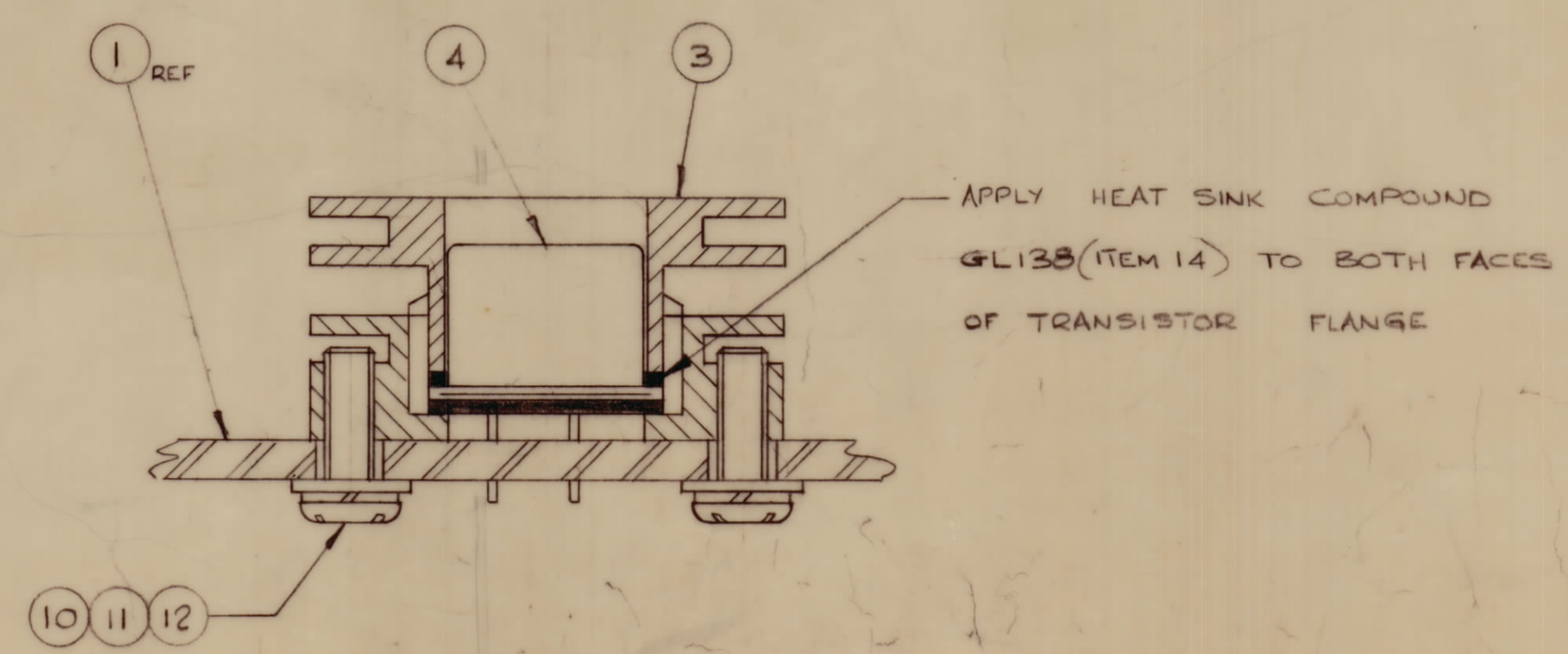
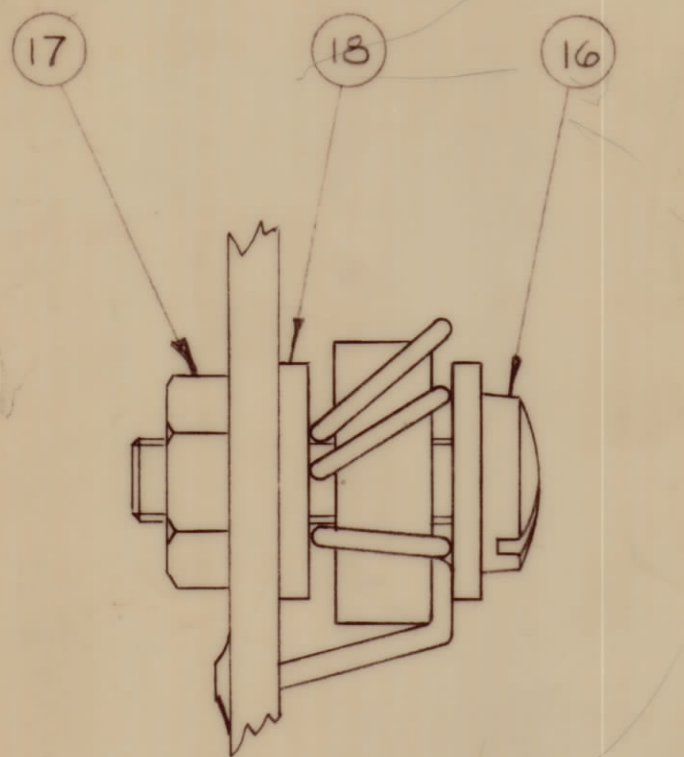
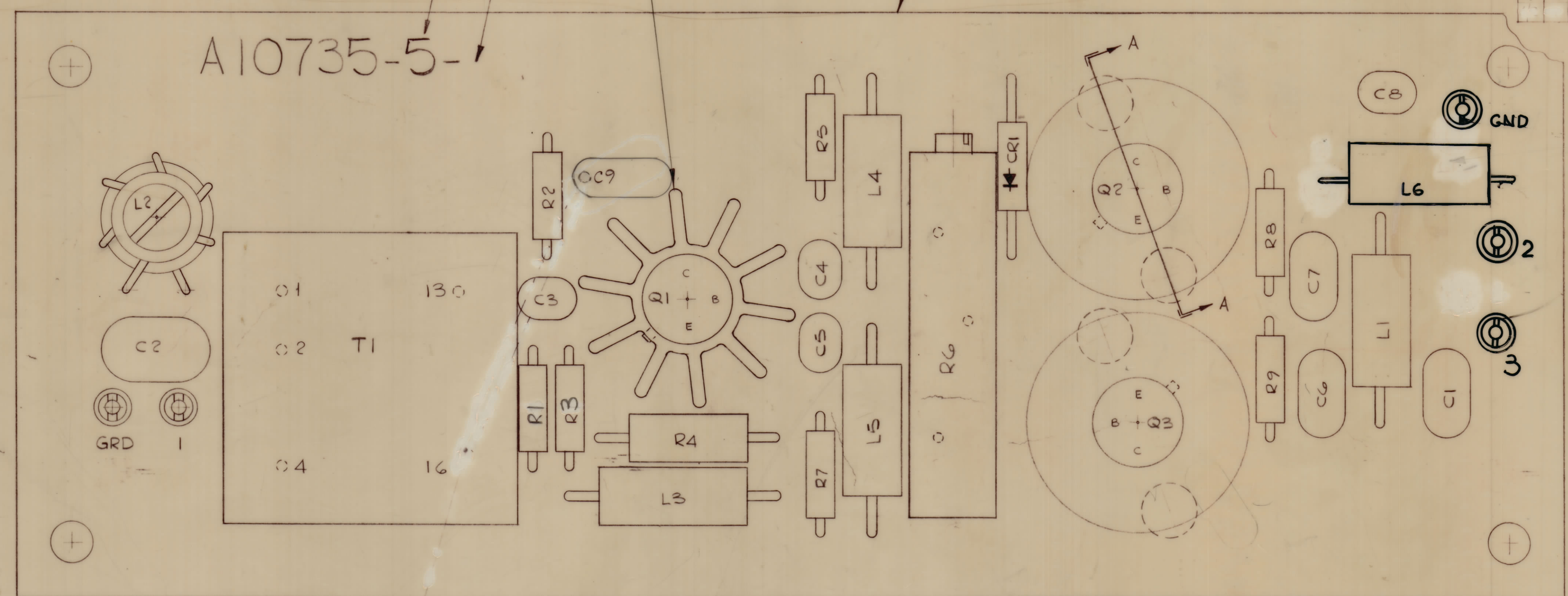
ISSUE	ITEM	CHANGED FROM	DATE	CN NO	DRAFTS	CHECKER	ENG APP
Ø		RELEASED TO PROD	29 JUN 69				
A		REV AS PER CEMN	11/17/69	456	AD		
B		REV AS PER CEMN	28 APR 69	473	ES		
C		REV AS PER CEMN	17 FEB 71	721	ff		
D		REV AS PER CEMN	MAR 18/70	742	ff		
E		SEE SHEET 2	11/65		CC	48	JW
F		REV AS PER CEMN	3-20-75	1239	AM	SCW	SPW
G		L6 Added	6-23-80	21886			
H		SHEET B REDRAWN W/CHANGES	6-29-84			CDL	

REQ	ITEM	PART NO	DESCRIPTION	SYMBOL
1	1	A10735-4	PC ASSY (SDB) PRE AMPLIFIER	
1	2	HD10002-7	HEAT SINK	
2	3	HD10004	HEAT SINK	
3	4		TRANSISTOR	
8	5		RESISTOR FIXED	
1	6		RESISTOR VARIABLE	R6
9	7		CAPACITOR	
1	8		DIODE	CR1
5	9		COIL RF	
4	10	FW 02 HBN	WASHER - FLAT	
4	11	LWS 02 MRN	WASHER LOCK SPLIT	
4	12	SCBP025GBN4	SCREW	
1	13	PX 829-1	PAD TRANSISTOR MTG	
AR	14	GL13B	COMPOUND, SILICONE, HEAT SINK	
1	15		TRANSFORMER	T1
1	16	SC143 0440 B8W	SCREW	
1	17	NT 137 0440	NUT	
1	18	FW 103 -1	WASHER	

- Q1, Q2, Q3
- R1, R2, R3, R4, R5, R7, R8, R9
- C1, C2, C3, C4, C5, C6, C7, C8, C9
- L1, L2, L3, L4, L5, L6

APPLY HEAT SINK COMPOUND
GL13B (ITEM 14) TO SIDE
FACE OF Q1

TMC PART NO. COMPLETE WITH LATEST REV LETTER
ADD 'DASH' NUMBER



TOLERANCES UNLESS OTHERWISE SPECIFIED	SCALE: 4:1
ALL DEC DIM ± .X ± .05	DRILL, PUNCH, COMMERCIAL STOCK
OTHERS FRACTIONAL DIM ± .XX ± .01	SIZES AND MANUFACTURERS
ANGULAR DIM ± 0° 30'	TOLERANCES ARE NOT INCLUDED

AMC B	074/69		
MODEL	PROJECT NO	ASSY NO	DATE
USED ON			

TMC (Canada) LIMITED OTTAWA ONTARIO			
PRINTED CIRCUIT ASSY PRE-AMPLIFIER			
MATERIAL	WEIGHT PER PC		
TYPE & TEMPER	SIMPSON	ELEC DES APP	MECH DES APP
HEAT TREAT SPEC	CHECKED	FINAL APPROVAL	
FINISH & SPEC NO	SHT 5 of 8	A10735-5	H