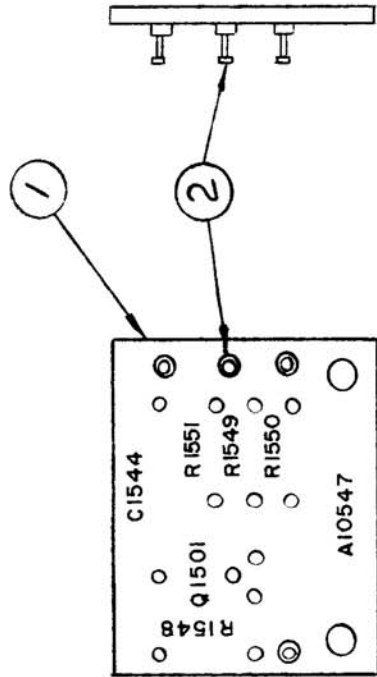


A10547-4

ISSUE	ITEM	CHANGED FROM	DATE	CN. NO.	DRAFTS	CHECKER	ENG. APP.	REQ.	ITEM	PART NO.	DESCRIPTION	SYMBOL
Ø		REL TO PROD	9 DEC 66		RA		<i>[Signature]</i>	1	1	A10547-3	ASS'Y PRE AMP	
								4	2	TE 127-3	TERMINAL, STUD	



STE A-1		005/66	A10547-4	8 DEC 66	TMC (Canada) LIMITED OTTAWA ONTARIO	
MODEL		PROJECT NO.	ASSY. NO.	DATE	ASS'Y PRE AMP	
MAXIMUM ALLOWABLE TOLERANCES HAVE BEEN DETERMINED AND DEVIATIONS WILL BE CAUSE FOR REJECTION. REMOVE ALL BURRS AND SHARP EDGES		USED ON		MATERIAL		
TOLERANCES		IF IT IS FOUND DESIRABLE TO CHANGE ANY TOLERANCE OR OTHER DETAIL SPECIFIED ON THIS DRAWING NOTIFY THE PURCHASER PROMPTLY.		WEIGHT PER PC.		
DEC. DIM. ±	SCALE 1:1	DIMENSIONS IN INCHES UNLESS OTHERWISE SPECIFIED		TYPE & TEMPER		
FRAC. DIM. ±	DRILL, PUNCH, COMMERCIAL STOCK SIZES AND MANUFACTURERS TOLERANCES ARE NOT INCLUDED.		HEAT TREAT. SPEC.		RA	
ANGULAR DIM. ±			DRAWN		ELEC. DES. APP.	
ALL OTHERS			CHECKED		MECH. DES. APP.	
			FINAL APPROVAL		Ø	
		SHEET 4 OF 5		A10547-4		