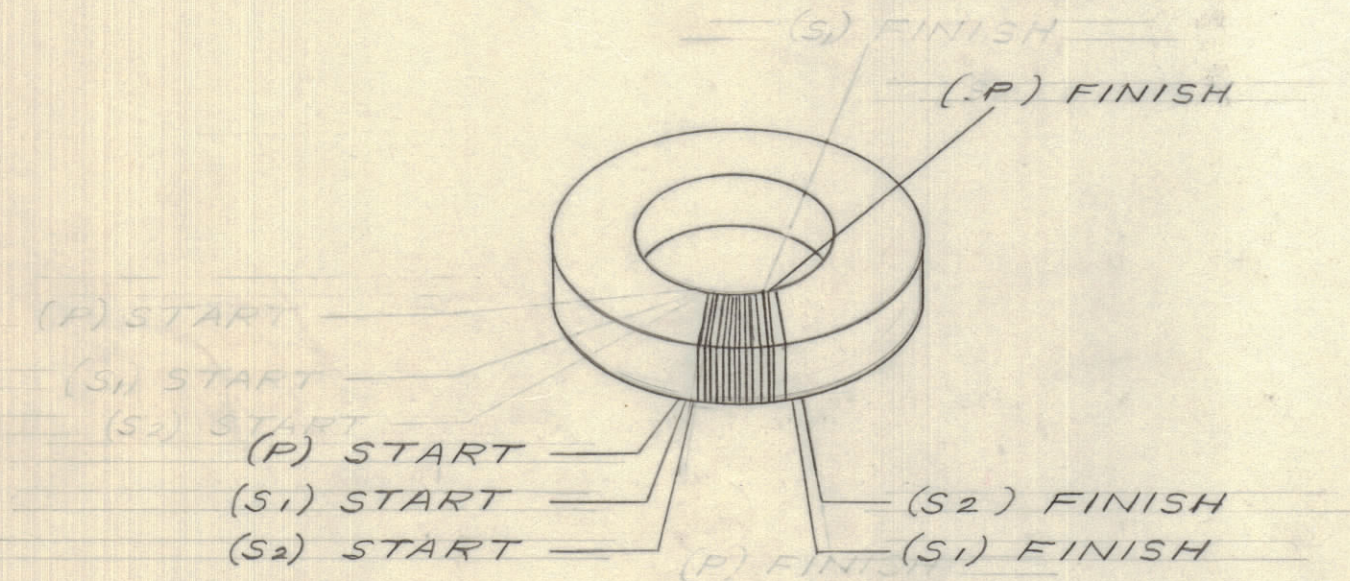
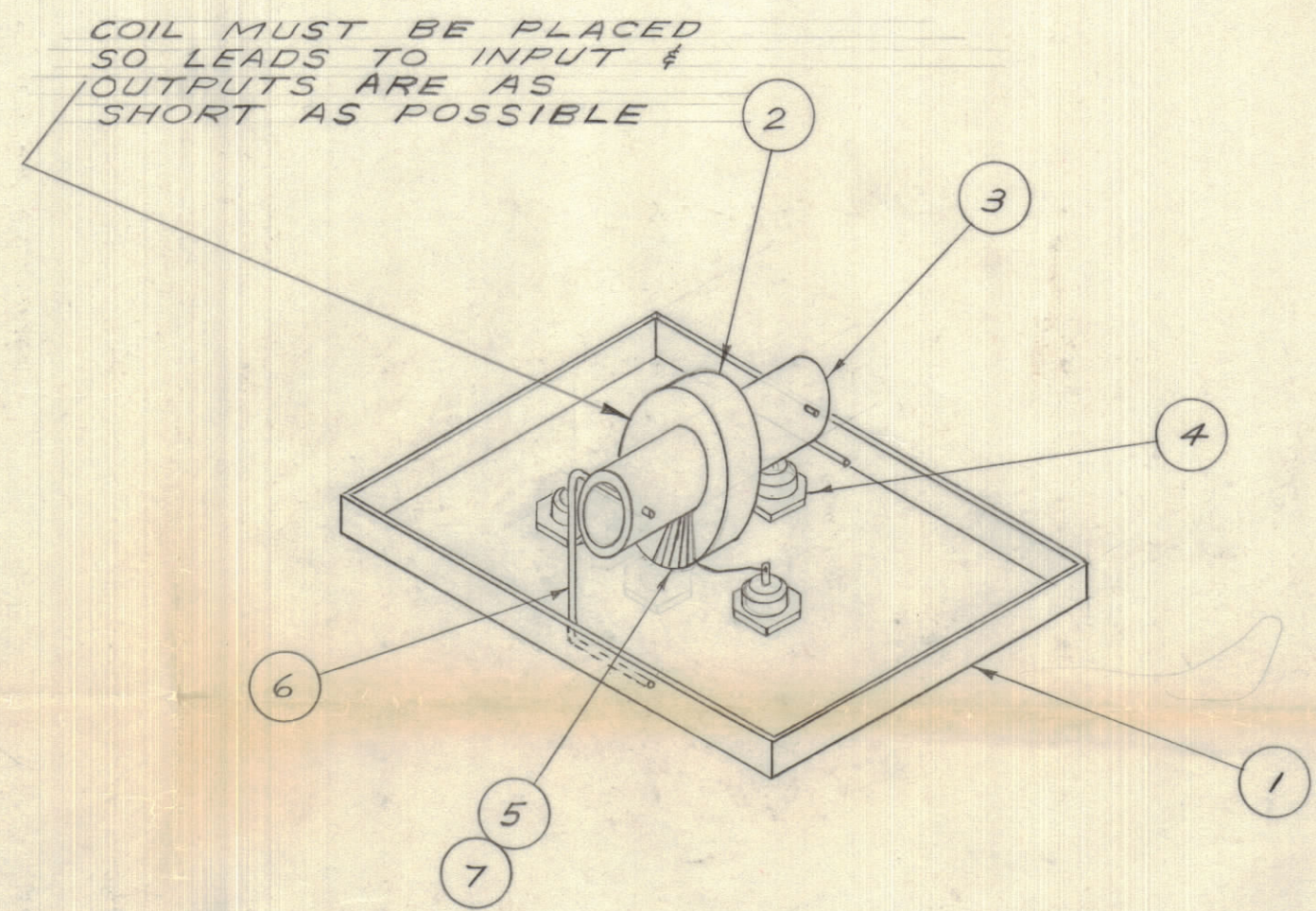


IF IT IS FOUND DESIRABLE TO CHANGE ANY TOLERANCE OR OTHER DETAIL SPECIFIED ON THIS DRAWING NOTIFY THE PURCHASER PROMPTLY.				DIMENSIONS IN INCHES UNLESS OTHERWISE SPECIFIED			
MAXIMUM ALLOWABLE TOLERANCES HAVE BEEN DETERMINED AND DEVIATIONS WILL BE CAUSE FOR REJECTION. REMOVE ALL BURRS AND SHARP EDGES.							
ISSUE	ITEM	CHANGED FROM	DATE	CN. NO.	DRAFTS	CHECKER	ENG. APP.
0		REL TO PROD	29-8-66		RD		
A	4	WAS UG 657	29-8-66		RD		
B		REV PER CEMN	13-9-66	072	RD		

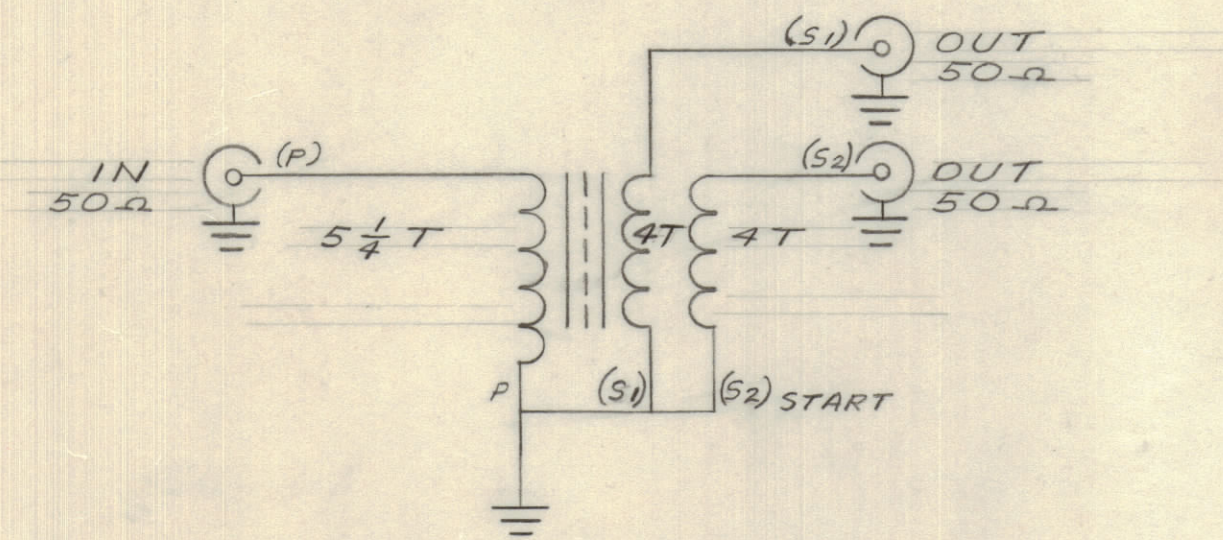
REQ.	ITEM	PART NO.	DESCRIPTION	SYMBOL
1	1	BX 10020	CASE, TRANSFORMER	
1	2	CI 10010	CORE FERRITE	
1	3	CF 120-1.75	COIL FORM	
3	4	UG 625/U	RECEPTACLE, BNC	
AR	5	WI 141-32-5	WIRE, MAGNET	
AR	6	WL 100-5-32	WIRE, BUSS	
AR	7		#34 BIFILAR WIRE	
AR	8	GL 106	COLD POTTING	



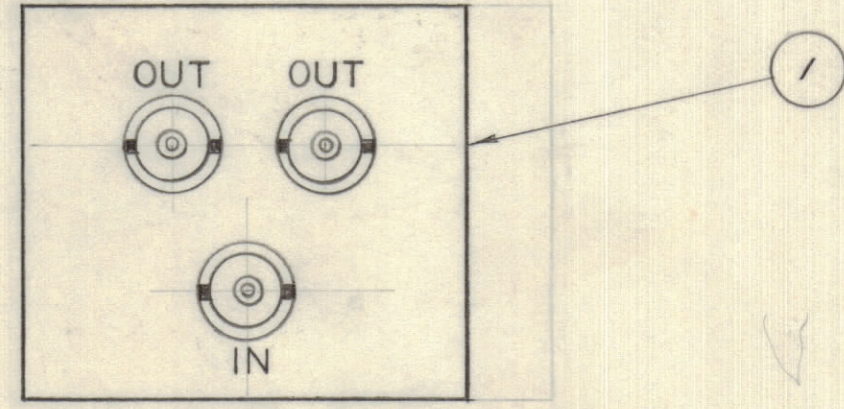
NOTE:  
P, S1 & S2 SHOULD BE TINNED TOGETHER AT START POINT



A10516 B



VSWR < 1.5 TO 1  
(2 TO 32 MHz)  
OUTPUT FLAT ± 1db  
(2 TO 32 MHz)



NOT TO BE RELEASED W/O AUTHORIZATION  
AUTH. BY: \_\_\_\_\_  
DATE: \_\_\_\_\_

NOTE:  
TO BE COLD POTTED AFTER ASSY

MARKING PROCESS: AS PER TMC SPECIFICATION S-727.  
LETTERING: 1/8 HIGH BLACK GOTHIC, LOCATED AS SHOWN.

TOLERANCES		SCALE: NTS
ALL OTHERS	DEC. DIM. ± FRAC. DIM. ± ANGULAR DIM. ±	DRILL, PUNCH, COMMERCIAL STOCK SIZES AND MANUFACTURERS TOLERANCES ARE NOT INCLUDED.

AX 10031	050/66		29 AUG 66
MODEL	PROJECT NO.	ASS'Y. NO.	DATE

STOCK SIZE		TMC (Canada) LIMITED OTTAWA ONTARIO	
MATERIAL		ASSEMBLY	
WEIGHT PER PC.		TR10003	
TYPE & TEMPER	RD	ELEC. DES. APP.	MECH. DES. APP.
HEAT TREAT. SPEC.	CHECKED	FINAL APPROVAL	
FINISH & SPEC. NO.		COOK	A10516 B