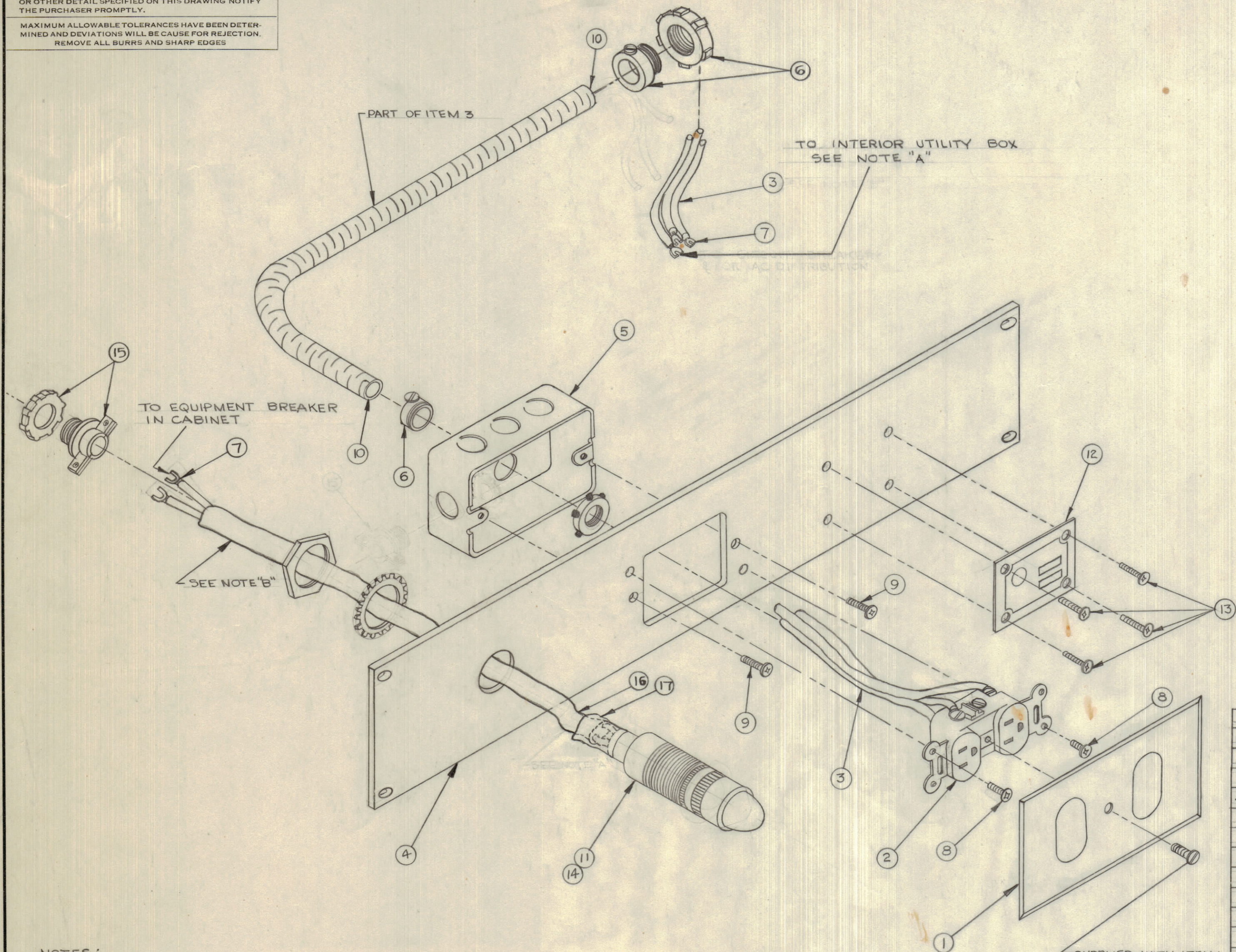


IF IT IS FOUND DESIRABLE TO CHANGE ANY TOLERANCE OR OTHER DETAIL SPECIFIED ON THIS DRAWING NOTIFY THE PURCHASER PROMPTLY.

MAXIMUM ALLOWABLE TOLERANCES HAVE BEEN DETERMINED AND DEVIATIONS WILL BE CAUSE FOR REJECTION. REMOVE ALL BURRS AND SHARP EDGES



NOTES:
 A) CABINETS 1-5 & 6-10 INCLUSIVE ARE RESPECTIVELY IN PARALLEL AS REGARDS TO UTILITY OUTLET.
 B) GROUND WIRE FROM BREAKER IS NOT EXTENDED TO LAMPHOLDER.

3"	17	PX 830-500	SHRINK TUBING
A.R.	16	WI-121-3	WIRE
1	15	CU 113	CLAMP FOR UNSHEATHED CABLE
1	14	BI-10004-3	LAMP, INCANDESCENT, 6 WATT
4	13	SCFB 0256 BN3	SCREW, SELF TAPPING
1	12	NPI0082-506	NAMEPLATE
1	11	TS-124-2	HOLDER, LAMP
2	10	PX 10001-1	BUSHING, ANTI-SHORT
2	9	SCFP-0632 BN8	SCREW, MACHINED
2	8	SCBP 0632 BN6	SCREW, MACHINED
5	7	TE10015	LUG, SPADE, CRIMP TYPE
2	6	CU 105	FITTING, ARMORED CABLE
1	5	BX10018	BOX, CONDUIT,
1	4	LD10212/MS10683	FRONT PANEL
A.R.	3	WI 138-2	CABLE, ARMORED 600 VOLTS, 3CDR*12
1	2	JJ 10007	RECEPTACLE, DUPLEX
1	1	PO10005	COVER, RECEPTACLE DUPLEX, SST

B	WIRING CONNECTIONS CHANGED	JUNE 21/66	GM	RD	RD
A	14 WAS B1-102-1	30-3-66	RD	RD	RD
Ø	REL. TO PROD.	MAR. 16/66	GM	RD	RD
ISSUE	ITEM	CHANGED FROM	DATE	CN. NO.	DRAFTS CHECKER ENG. APP.
TOLERANCES			SCALE: NTS		
ALL OTHERS	DEC. DIM. ±	FRAC. DIM. ±	ANGULAR DIM. ±	DRILL, PUNCH, COMMERCIAL STOCK SIZES AND MANUFACTURERS TOLERANCES ARE NOT INCLUDED.	

APP 10001	052/66	MAR. 10/66
MODEL	PROJECT No.	DATE
USED ON		

STOCK SIZE		SYMBOL	
MATERIAL		WEIGHT PER PC.	
TYPE & TEMPER		FINISH & SPEC. No.	
HEAT TREAT. SPEC.		FINISH & SPEC. No.	
DRAWN		ELEC. DES. APP.	
CHECKED		MECH. DES. APP.	
FINAL APPROVAL		FINAL APPROVAL	
A-10424		B	

A-10424 B