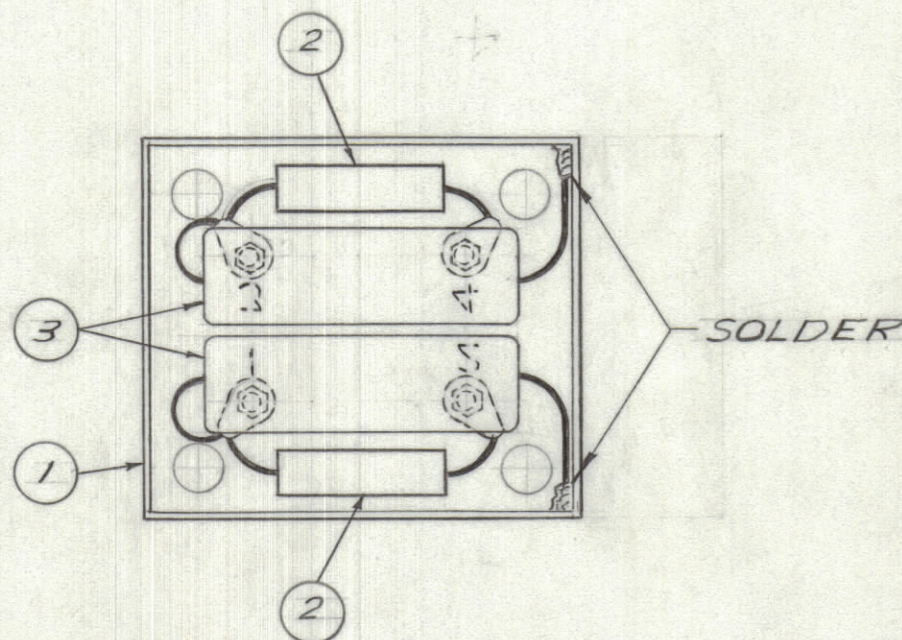
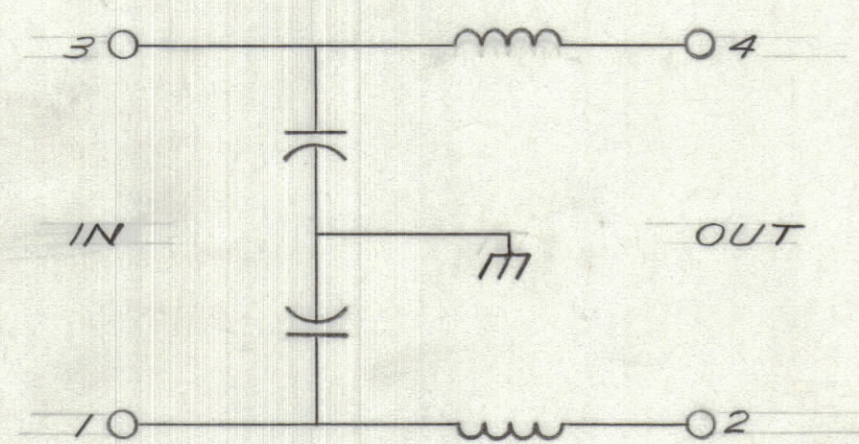


IF IT IS FOUND DESIRABLE TO CHANGE ANY TOLERANCE OR OTHER DETAIL SPECIFIED ON THIS DRAWING NOTIFY THE PURCHASER PROMPTLY.		DIMENSIONS IN INCHES UNLESS OTHERWISE SPECIFIED					
MAXIMUM ALLOWABLE TOLERANCES HAVE BEEN DETERMINED AND DEVIATIONS WILL BE CAUSE FOR REJECTION. REMOVE ALL BURRS AND SHARP EDGES.							
ISSUE	ITEM	CHANGED FROM	DATE	CN. NO.	DRAFTS	CHECKER	ENG. APP.

REQ.	ITEM	PART NO.	DESCRIPTION	SYMBOL
1	1	BX 105	BOX	
2	2	CL10028	CHOKE, RF 8.2 $\mu$ H	
2	3	CN10007	CAPACITOR .2 $\mu$ f	



1. LOOSEN NUTS ON FEED-THRU SCREWS AND POSITION SOLDER LUGS SO THAT THEY POINT AT THE CORNERS. TIGHTEN NUTS.
2. MOUNT ONE CHOKE (CL10028) BETWEEN TERMINALS 3 AND 4. POSITION CHOKE OUTBOARD OF THE TERMINALS.
3. MOUNT ONE CHOKE (CL10028) BETWEEN TERMINALS 1 AND 2. POSITION CHOKE OUTBOARD OF THE TERMINALS.
4. MOUNT ONE CAPACITOR (CN10007) AT TERMINAL 3 AND THE OTHER CAPACITOR AT TERMINAL 1.
5. SOLDER ALL TERMINALS.
6. SOLDER CAPACITOR LEADS TO BASE OF BOX AS SHOWN.
7. ASSEMBLE BOX WITHOUT POTTING. SOLDER ALL EDGES OF TOP AND BOTTOM.
8. PAINT BOX AND STAMP WITH PART NUMBER.



SCHEMATIC

A10392 Ø

TOLERANCES		SCALE:
ALL OTHERS	DEC DIM. $\pm$ FRAC DIM. $\pm$ ANGULAR DIM. $\pm$	DRILL, PUNCH, COMMERCIAL STOCK SIZES AND MANUFACTURERS TOLERANCES ARE NOT INCLUDED.

AMC 20	020/66	FX10013	11 NOV 65
MODEL	PROJECT NO.	ASSY. NO.	DATE
USED ON			

STOCK SIZE		<b>TMC (Canada) LIMITED</b> OTTAWA ONTARIO	
MATERIAL		FILTER, A.C. LINE	
WEIGHT PER PC.		115/230 VAC, MAXIMUM 2.4A	
TYPE & TEMPER	RD	ELEC. DES. APP.	MECH. DES. APP.
HEAT TREAT. SPEC.	CHECKED	FINAL APPROVAL	
FINISH & SPEC. NO.		A10392 Ø	