

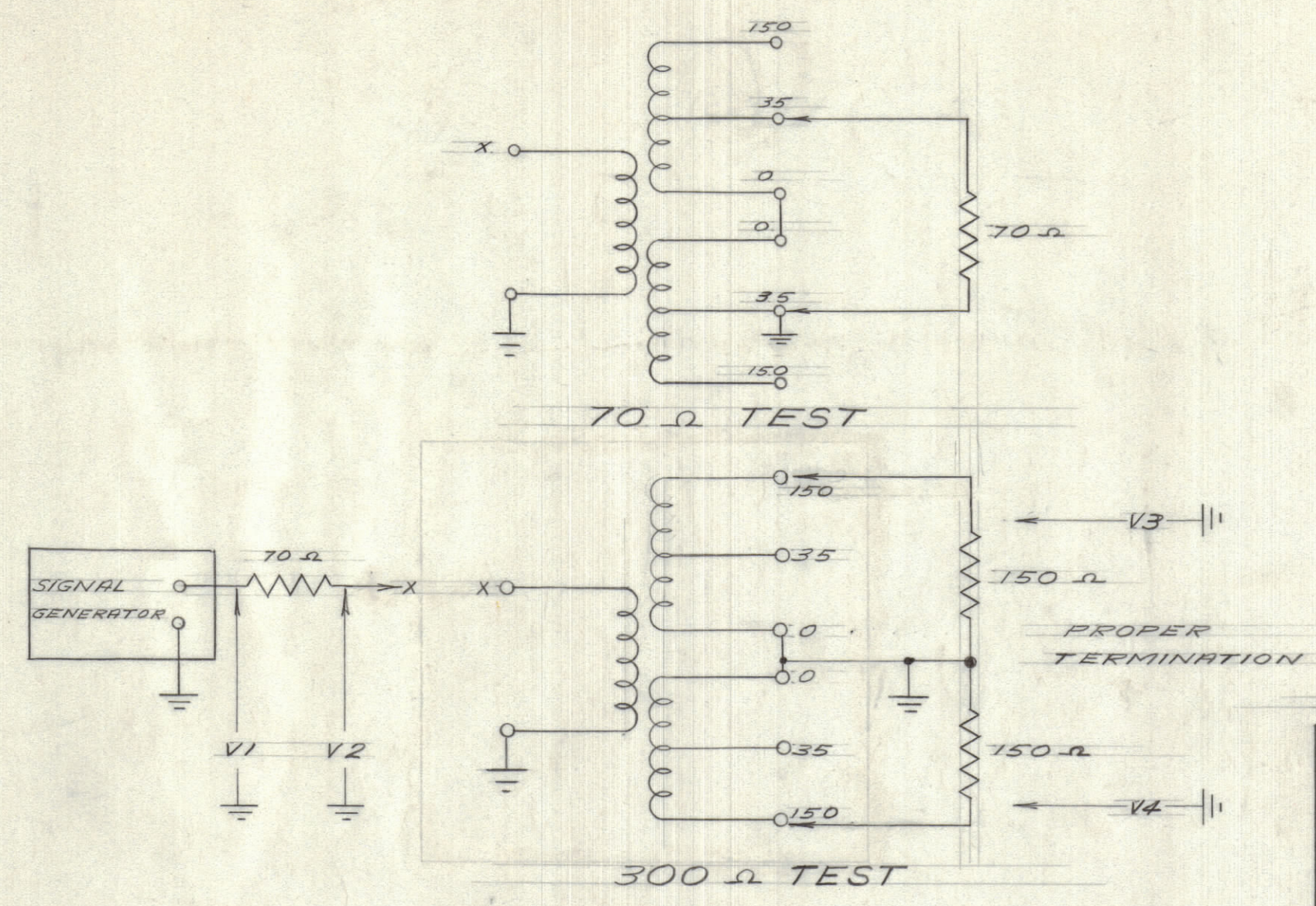
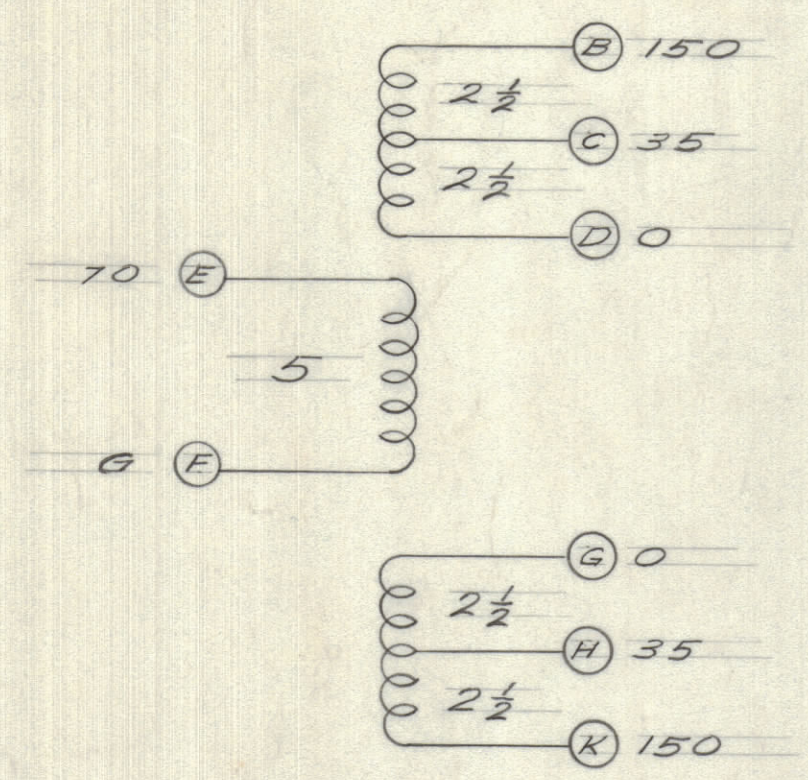
IF IT IS FOUND DESIRABLE TO CHANGE ANY TOLERANCE OR OTHER DETAIL SPECIFIED ON THIS DRAWING NOTIFY THE PURCHASER PROMPTLY.

MAXIMUM ALLOWABLE TOLERANCES HAVE BEEN DETERMINED AND DEVIATIONS WILL BE CAUSE FOR REJECTION. REMOVE ALL BURRS AND SHARP EDGES.

DIMENSIONS IN INCHES UNLESS OTHERWISE SPECIFIED

ISSUE	ITEM	CHANGED FROM	DATE	CN. NO.	DRAFTS	CHECKER	ENG. APP.

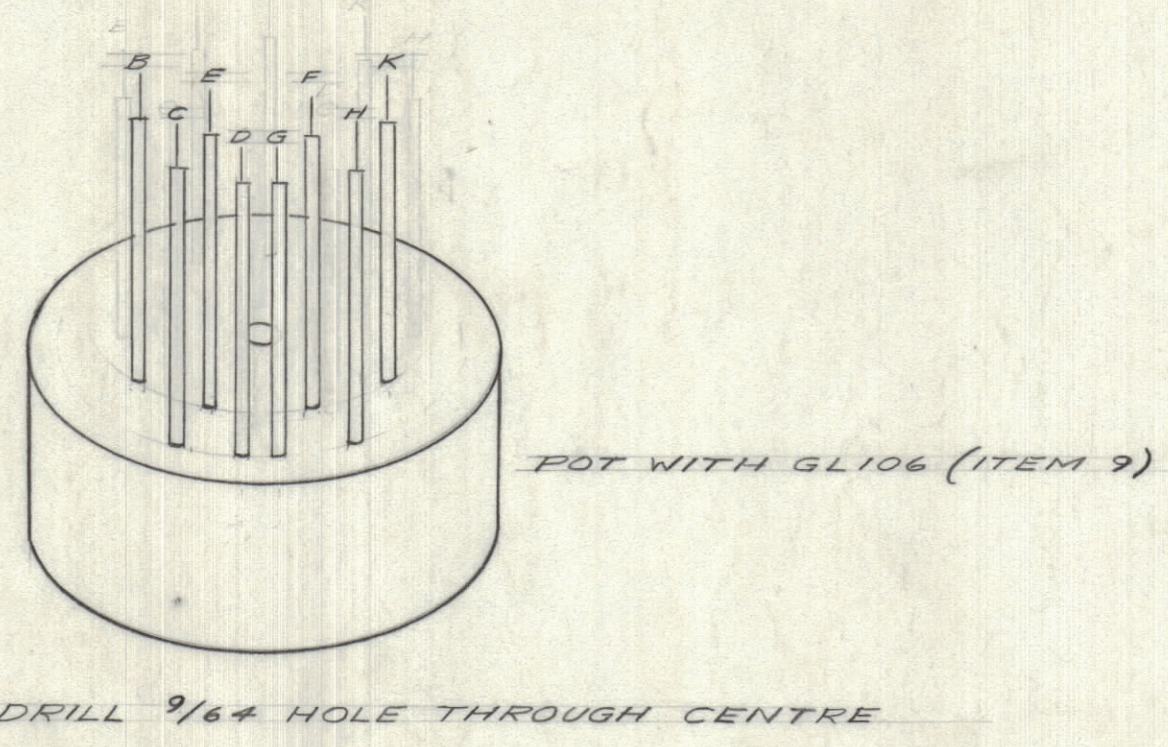
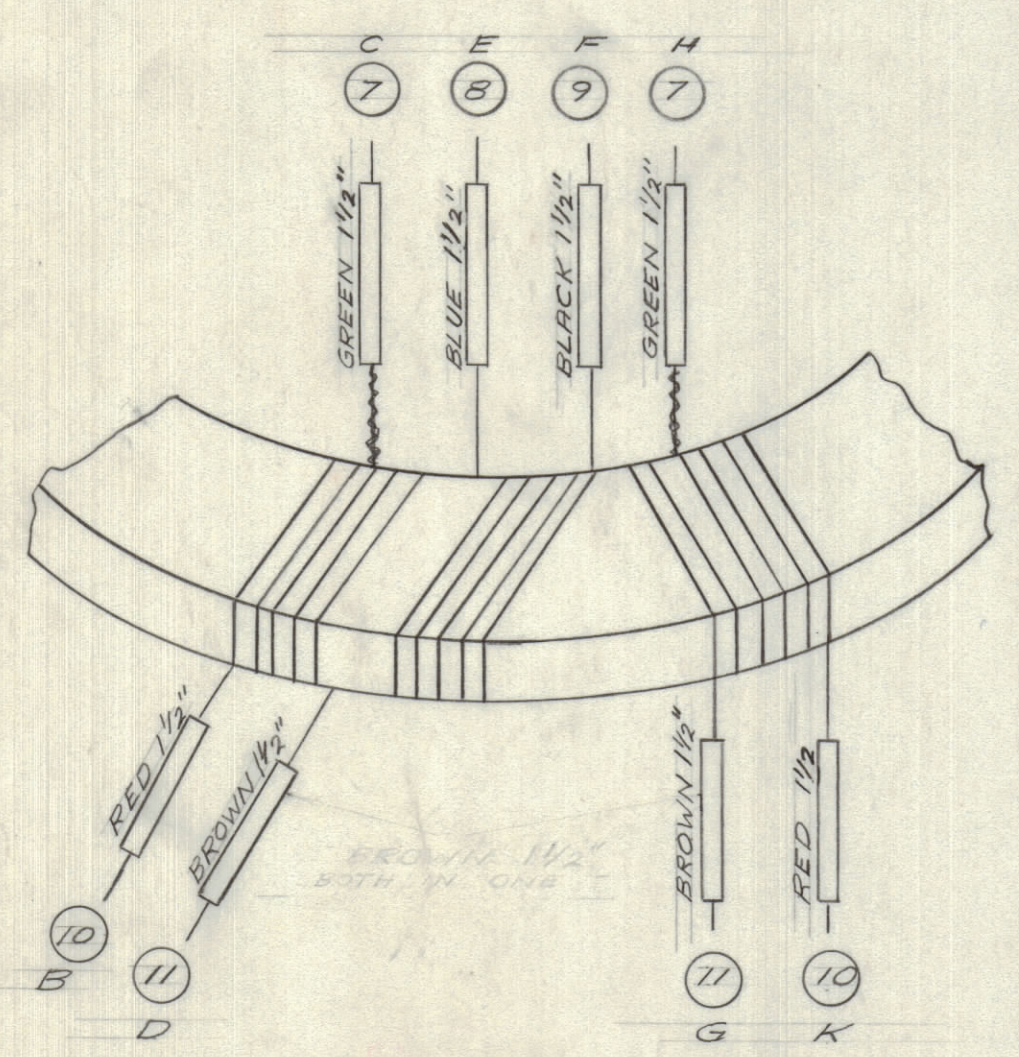
REQ.	ITEM	PART NO.	DESCRIPTION	SYMBOL
1	1	CI-104	CORE	
AR 2	PX104-2-.034		INSULATION SLEEVING (YELL)	
AR 3	PX104-4-.034		INSULATION SLEEVING (GRN)	
AR 4	PX104-6-.034		INSULATION SLEEVING (BLUE)	
AR 5	PX104-1-.034		INSULATION SLEEVING (BLK)	
AR 6	PX104-3-.034		INSULATION SLEEVING (RED)	
AR 7	PX104-5-.034		INSULATION SLEEVING (BRN)	
AR 8	BS-100		SOLDER SOFT	
AR 9	GL-106		COMPOUND PLASTIC, RED	
AR 10	WI-102-9		MAGNET WIRE	



TYPICAL TEST FIGURES

TERMINATION	FMC	V1	V2	V3	V4
70	2	1.0	.478	.28	.2
	8	1.0	.525	.262	.187
	32	1.0	.78	.165	.145
300	2	1.0	.455	.525	.435
	8	1.0	.502	.495	.415
	32	1.0	.8	.31	.285

A10353 0



TOLERANCES		SCALE:
ALL OTHERS	DEC DIM. ± FRAC DIM. ± ANGULAR DIM. ±	DRILL, PUNCH, COMMERCIAL STOCK SIZES AND MANUFACTURERS TOLERANCES ARE NOT INCLUDED.

MODEL	PROJECT NO.	ASS'Y. NO.	DATE
			24-9-64

TMC (Canada) LIMITED OTTAWA ONTARIO			
ASSEMBLY TRO77X			
STOCK SIZE			
MATERIAL	WEIGHT PER PC.		
TYPE & TEMPER	RD	KA	MECH. DES. APP.
HEAT TREAT. SPEC.	CHECKED	FINAL APPROVAL	
FINISH & SPEC. NO.	A10353 0		