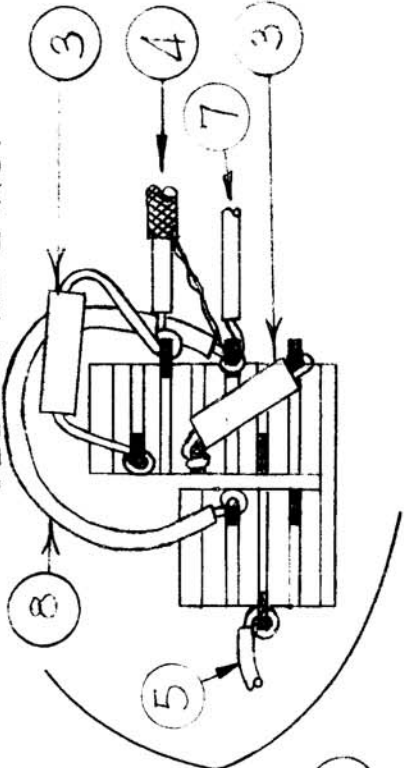
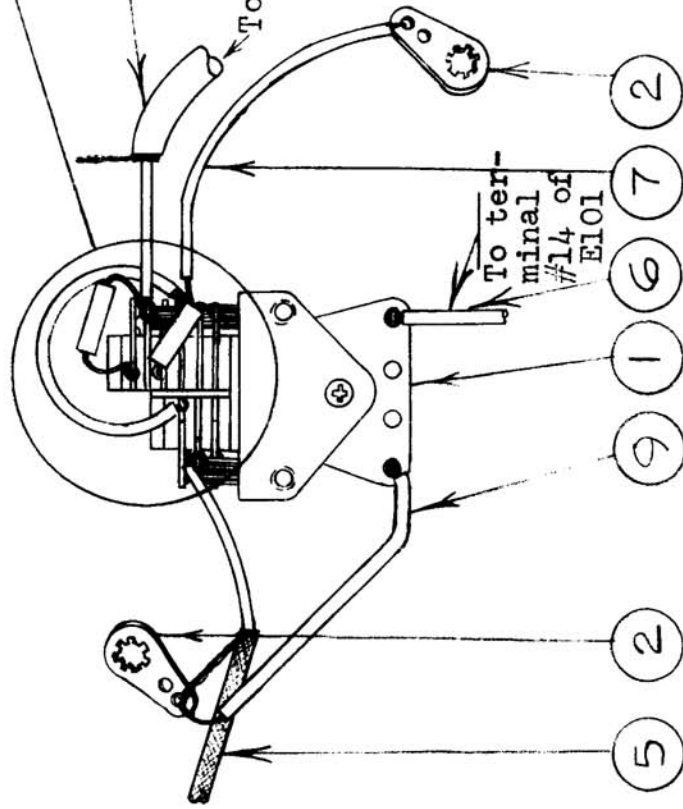


IF IT IS FOUND DESIRABLE TO CHANGE ANY TOLERANCE OR OTHER DETAIL SPECIFIED ON THIS DRAWING NOTIFY THE PURCHASER PROMPTLY.

MAXIMUM ALLOWABLE TOLERANCES HAVE BEEN DETERMINED AND DEVIATIONS WILL BE CAUSE FOR REJECTION. REMOVE ALL BURRS AND SHARP EDGES

**NOTE:**

3/4" HAS BEEN ADDED FOR STRIPPING ON BOTH ENDS OF EACH WIRE, ON B.O.M.



SBE-2CAN2 E1148P

6/4/61

A10317 A

USED ON

PROJECT NO.

ASS'Y. NO.

DATE

REQ.	ITEM	PART NO.	DESCRIPTION	SYMBOL
4"	9	MWC22(7)U0	WIRE: # 22 Black	
3"	8	MWG22(7)U0	WIRE: # 22 black	
4 1/2"	7	MWC22(7)U0	WIRE: # 22 black	
4 1/2"	6	MWC22(7)U96	WIRE: # 22 white/blue	
5"	5	MWC22(7)SJ9	WIRE: # 22 screened, jacketed, white	
6"	4	MWC22(7)SJ9	WIRE: # 22 Screened, jacketed, white	
2	3	RC20GF184J	RESISTOR: carbon	
2	2	TE-10011-2	LUG: solder	
1	1	RL-10023	RELAY	

TMC(Canada) LIMITED  
OTTAWA ONTARIO

WIRING ASSEMBLY

OF RELAY K102.

JPC

DRAWN

ELEC. DES. APP. MECH. DES. APP.

100%

CHECKED

FINAL APPROVAL

A10317

A

ISSUE	ITEM	CHANGED FROM	DATE	CN. NO	DRAFTS	CHECKER	ENG. APP.
A	1	Buildup Revised	7/27/61	5326	8/11	JBS	JAM

TOLERANCES

DEC. DIM. ±  
FRAC. DIM. ±  
ANGULAR DIM. ±

SCALE

DIMENSIONS IN INCHES  
UNLESS OTHERWISE SPECIFIED  
DRILL, PUNCH, COMMERCIAL STOCK  
SIZES AND MANUFACTURERS  
TOLERANCES ARE NOT INCLUDED.