

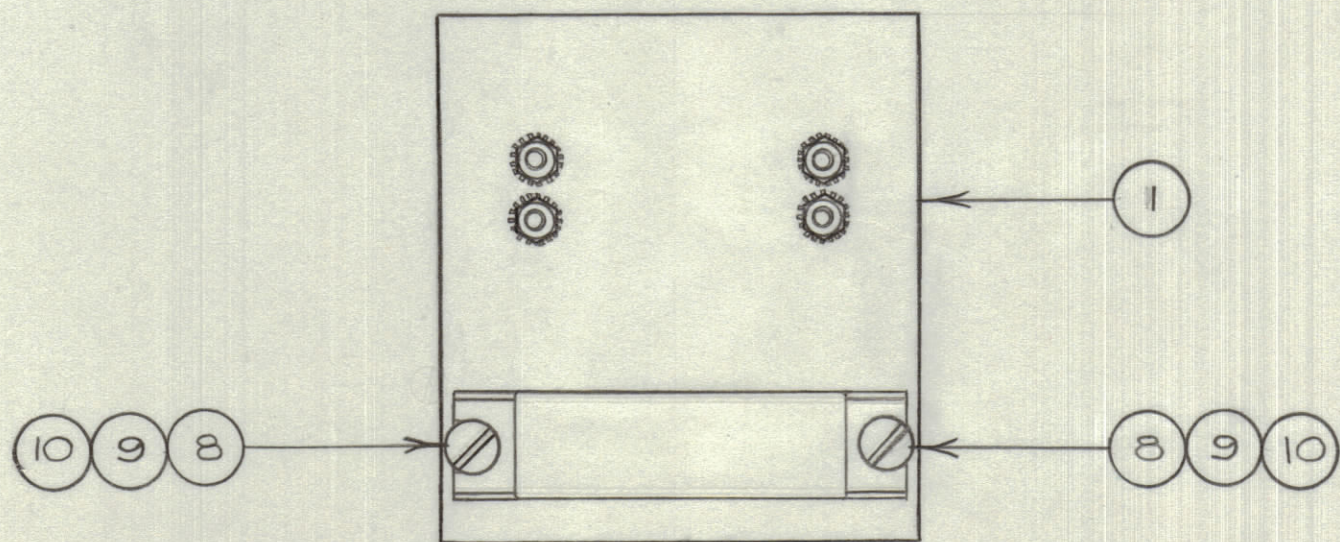
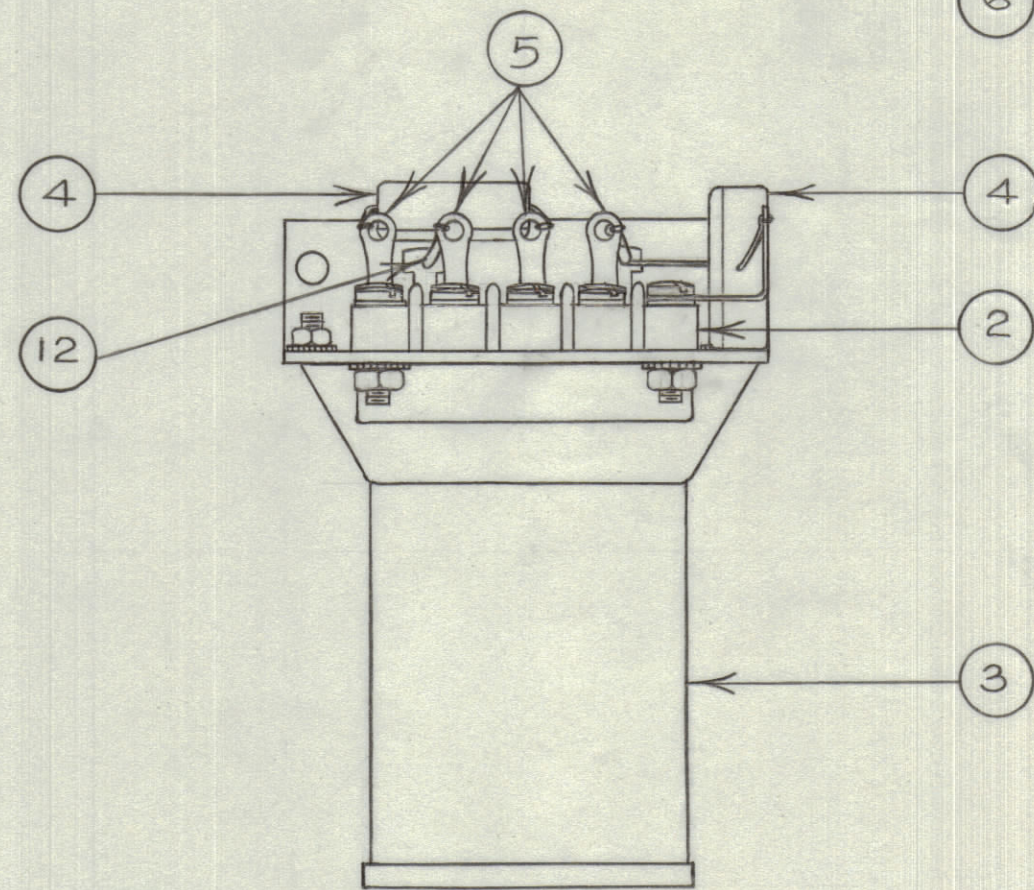
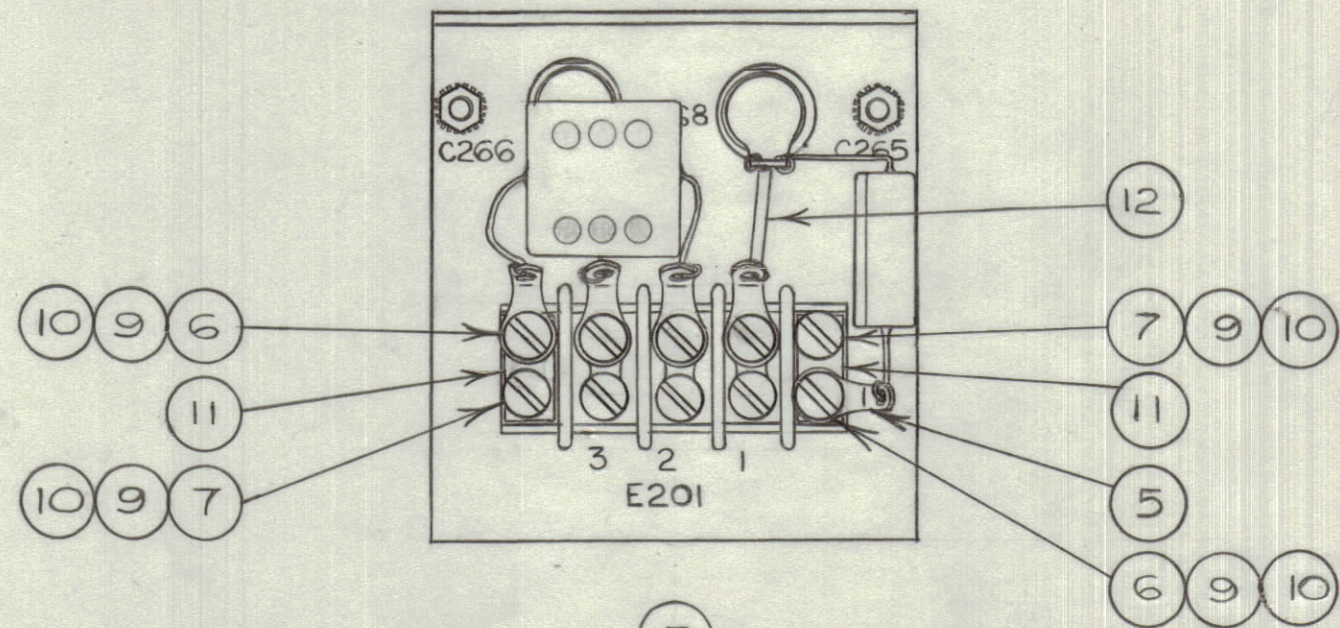
IF IT IS FOUND DESIRABLE TO CHANGE ANY TOLERANCE OR OTHER DETAIL SPECIFIED ON THIS DRAWING NOTIFY THE PURCHASER PROMPTLY.

MAXIMUM ALLOWABLE TOLERANCES HAVE BEEN DETERMINED AND DEVIATIONS WILL BE CAUSE FOR REJECTION. REMOVE ALL BURRS AND SHARP EDGES

NOTICE TO PERSONS RECEIVING THIS DRAWING

THE TECHNICAL MATERIEL CORPORATION claims proprietary right in the material disclosed hereon. This drawing is issued in confidence for engineering information only and may not be reproduced or used to manufacture anything shown hereon without permission from THE TECHNICAL MATERIEL CORPORATION to the user. This drawing is loaned for mutual assistance and is subject to recall at any time.

Property of:
THE TECHNICAL MATERIEL CORPORATION
MAMARONECK, NEW YORK



A10311

2	12	PX104-0.34	SLEEVING, BLACK
2	11	MS154-1	STRADDLE PLATE
6	10	LWEO6MRN	LOCKWASHER
6	9	NTH0632BN8	NUT, HEXAGON
2	8	SCBS0632BN5	SCREW
2	7	— —8	— —
2	6	— —9	— —
5	5	TE104-2	GROUND LUG
2	4	CM35C103J	CAPACITOR, MICA.
1	3	CP69B1EF105K	— —, PAPER
1	2	TM102-3	TERMINAL STRIP
1	1	LD10097A	BRACKET

REQ.	ITEM	PART NO.	DESCRIPTION	SYMBOL
TMC (Canada) LIMITED OTTAWA ONTARIO				
BLOWER CAPACITOR ASSEMBLY				
JPC				
DRAWN		ELEC. DES. APP.		MECH. DES. APP.
CHECKED		FINAL APPROVAL		
A10311				

ISSUE	ITEM	CHANGED FROM	DATE	CN. NO.	DRAFTS	CHECKER	ENG. APP.
TOLERANCES							
DEC. DIM. ±				SCALE: 1:1			
FRAC. DIM. ±				DRILL, PUNCH, COMMERCIAL STOCK			
ANGULAR DIM. ±				SIZES AND MANUFACTURERS			
TOLERANCES ARE NOT INCLUDED.							

RFA-1			3/8/61
MODEL	PROJECT NO.	ASS'Y. NO.	DATE
USED ON			