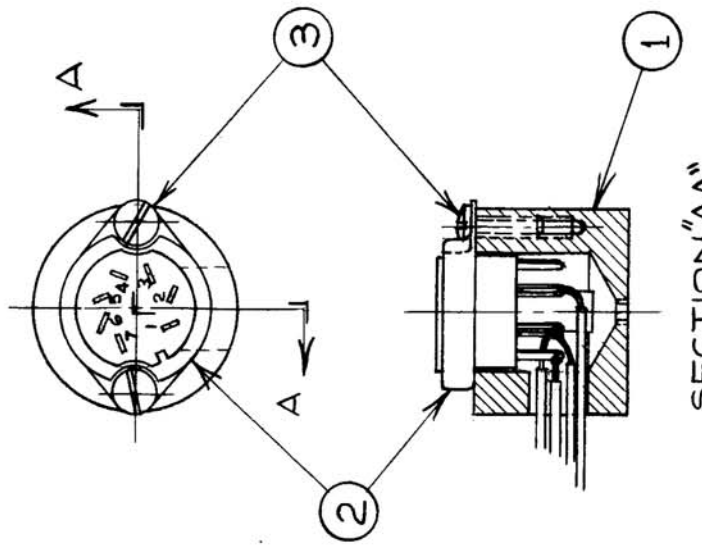


IF IT IS FOUND DESIRABLE TO CHANGE ANY TOLERANCE OR OTHER DETAIL SPECIFIED ON THIS DRAWING NOTIFY THE PURCHASER PROMPTLY.

MAXIMUM ALLOWABLE TOLERANCES HAVE BEEN DETERMINED AND DEVIATIONS WILL BE CAUSE FOR REJECTION. REMOVE ALL BURRS AND SHARP EDGES



SECTION "AA"

ISSUE	ITEM	CHANGED FROM	DATE	CN. NO.	DRAFTS	CHECKER	ENG. APP.
<p>TOLERANCES</p> <p>DEC. DIM. \pm —</p> <p>FRAC. DIM. \pm —</p> <p>ANGULAR DIM. \pm —</p>							
<p>DRILL, PUNCH, COMMERCIAL STOCK SIZES AND MANUFACTURERS TOLERANCES ARE NOT INCLUDED.</p>							

PIN CONNECTIONS
 PIN 7 - XTAL, WH/BLU (ITEM 4)
 PIN 1 - " , WH/GR (ITEM 5)
 PINS 2 & 6 - HEATERS, BROWN (ITEMS 6 & 7)
 PIN 4 - GROUND, BLACK (ITEM 8)

REQ. ITEM	PART NO.	DESCRIPTION	SYMBOL
12"	8	LWC22(7)J0	WIRE - INSULATED BLACK
12"	7	" " " 1	" " " BROWN
12"	6	" " " 1	" " " BROWN
12"	5	" " " 95	" " " WH/GR
12"	4	" " " 96	" " " WH/BLU
2	3	SCBS0440BN6	SCREW
1	2	TS10006	TUBE SOCKET
1	1	PM10063	OVEN MOUNT

TMC (Canada) LIMITED
 OTTAWA ONTARIO

BFO / XTAL OVEN MOUNT ASS'Y

FFR. MOD CAN. I-B

DCM

DRAWN

CHECKED

MECH. DES. APP.

FINAL APPROVAL

A10243

A10243

USED ON

MODEL PROJECT NO. ASSY. NO. DATE

FFR CAN I-B

NOV 25 1959