

IF IT IS FOUND DESIRABLE TO CHANGE ANY TOLERANCE OR OTHER DETAIL SPECIFIED ON THIS DRAWING NOTIFY THE PURCHASER PROMPTLY.

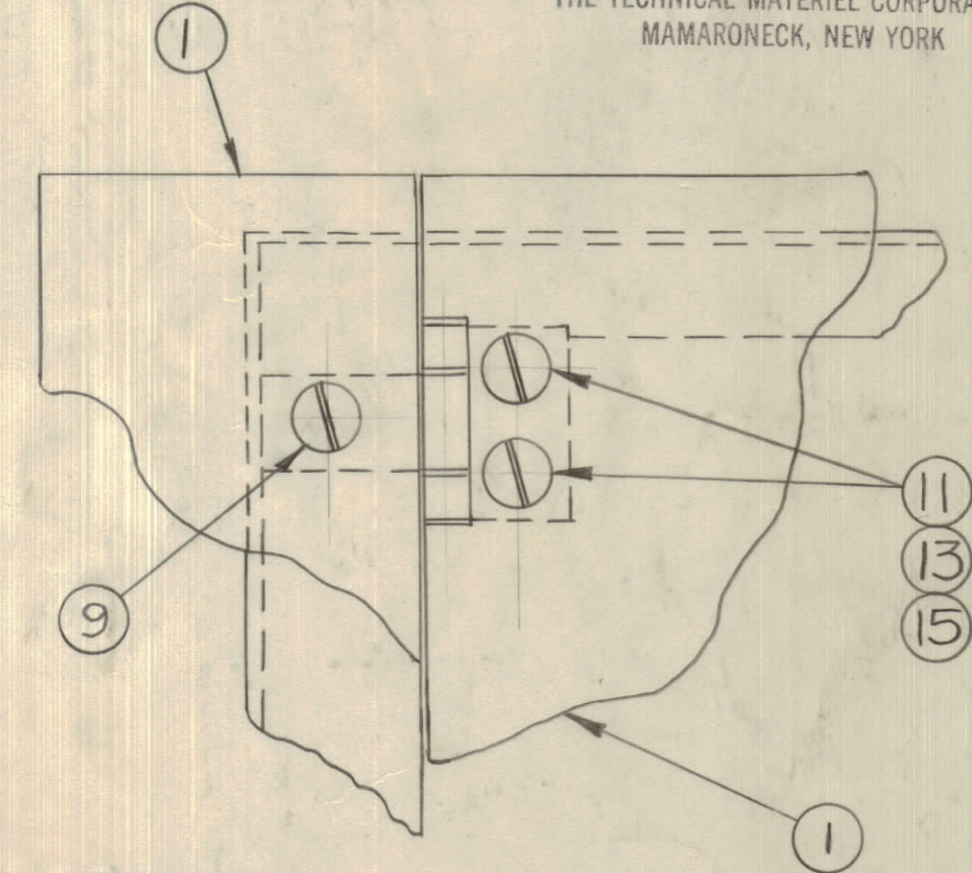
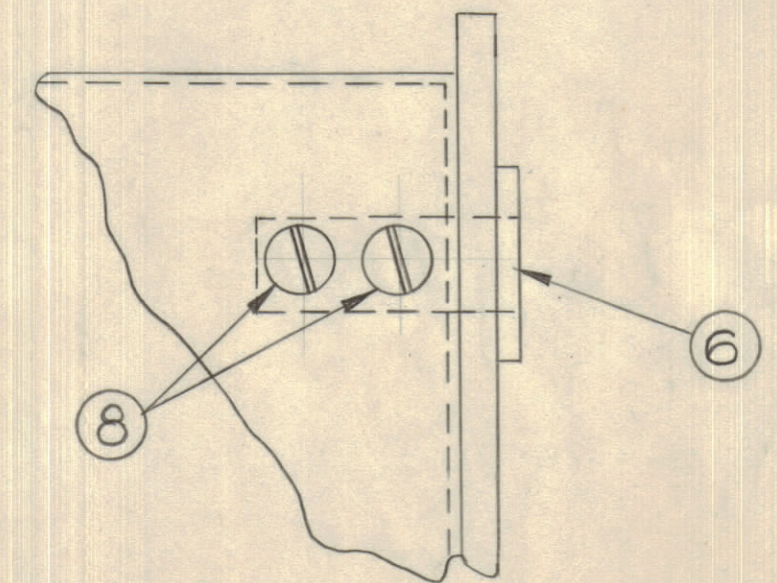
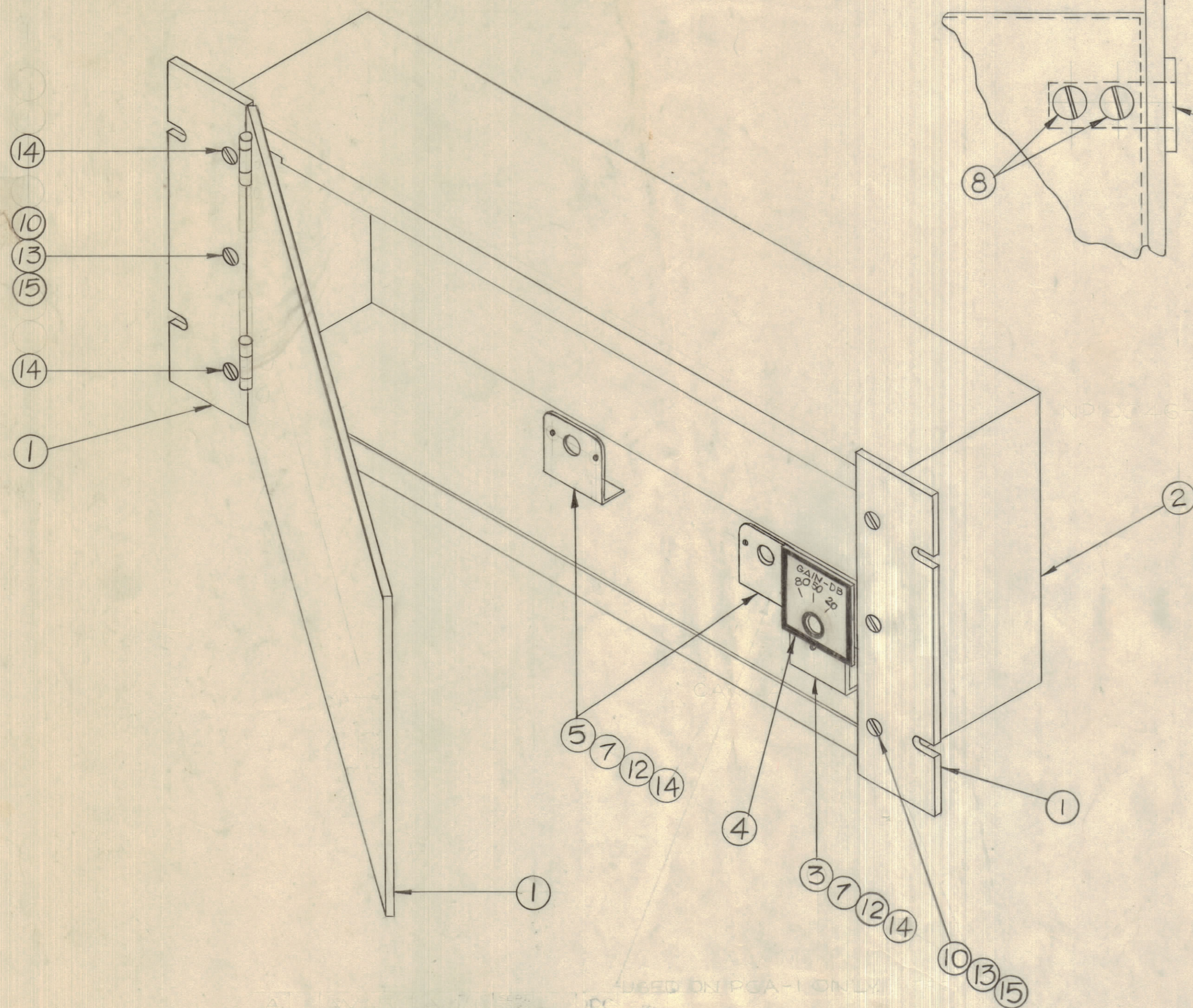
MAXIMUM ALLOWABLE TOLERANCES HAVE BEEN DETERMINED AND DEVIATIONS WILL BE CAUSE FOR REJECTION. REMOVE ALL BURRS AND SHARP EDGES

NOTICE TO PERSONS RECEIVING THIS DRAWING

THE TECHNICAL MATERIEL CORPORATION claims proprietary right in the material disclosed hereon. This drawing is issued in confidence for engineering information only and may not be reproduced or used to manufacture anything shown hereon without permission from THE TECHNICAL MATERIEL CORPORATION to the user. This drawing is loaned for mutual assistance and is subject to recall at any time.

Property of:

THE TECHNICAL MATERIEL CORPORATION
MAMARONECK, NEW YORK



HINGE DETAIL

A10234

8	15	LWS08MRS	LOCKWASHER
4	14	LWS06MRS	" "
8	13	NTH0832BCIO	NUT
4	12	NTH0632BCIO	" "
4	11	SCFS0832BC00	SCREW
4	10	" 8	" "
2	9	" 6	" "
4	8	SCBS0832BC20	" "
4	7	SCBS0632BC4	" "
-	6	MS10266	HINGE ASS'Y
2	5	MS10270	POTENTIOMETER BRACKET
1	4	NP10050	ESCUTCHEON-GAIN SWITCH
1	3	MS10356	BRACKET - SWITCH
-	2	A10232	CHASSIS ASS'Y
-	1	A10229	FRONT PANEL ASS'Y

REQ.	ITEM	PART NO.	DESCRIPTION	SYMBOL
TMC (Canada) LIMITED OTTAWA ONTARIO				
MECH ASS'Y PCA-1 & PCA-2				
STOCK SIZE		JDC		
MATERIAL		DRAWN		
TYPE & TEMPER		ELEC. DES. APP.		
HEAT TREAT. SPEC.		MECH. DES. APP.		
FINISH & SPEC. NO.		CHECKED		
		FINAL APPROVAL		
A10234				

ISSUE	ITEM	CHANGED FROM	DATE	CN. NO.	DRAFTS	CHECKER	ENG. APP.
TOLERANCES							
SCALE: NTS							
DRILL, PUNCH, COMMERCIAL STOCK SIZES AND MANUFACTURERS TOLERANCES ARE NOT INCLUDED.							

PCA-1 & 2
SEPT 29 /59
MODEL PROJECT No. ASS'Y. No. DATE
USED ON