

IF IT IS FOUND DESIRABLE TO CHANGE ANY TOLERANCE OR OTHER DETAIL SPECIFIED ON THIS DRAWING NOTIFY THE PURCHASER PROMPTLY.

MAXIMUM ALLOWABLE TOLERANCES HAVE BEEN DETERMINED AND DEVIATIONS WILL BE CAUSE FOR REJECTION. REMOVE ALL BURRS AND SHARP EDGES

Confidential

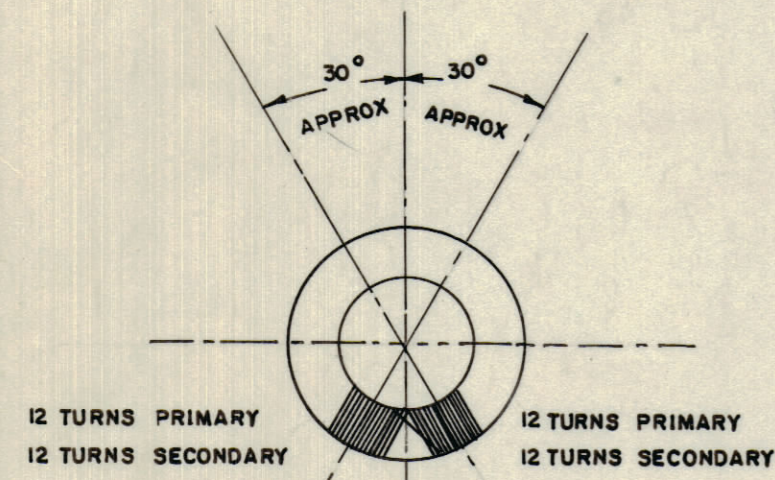
NOT TO BE RELEASED  
W/O AUTHORIZATION

AUTH. BY: \_\_\_\_\_

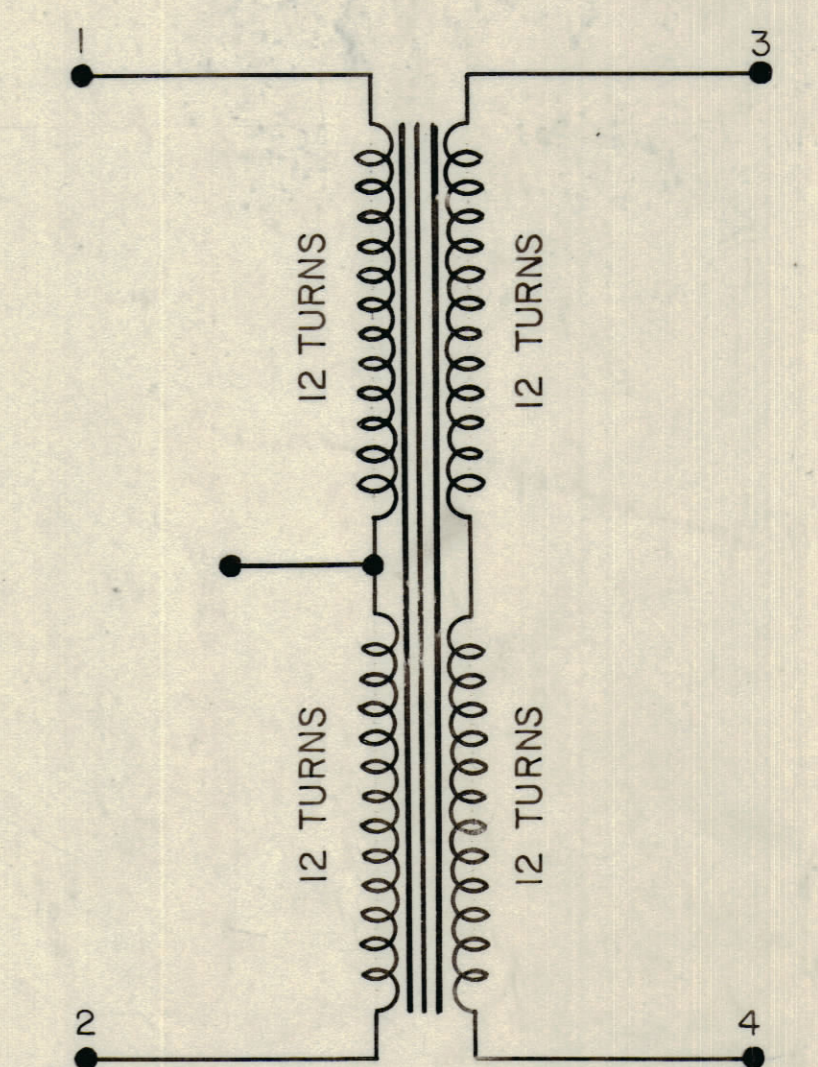
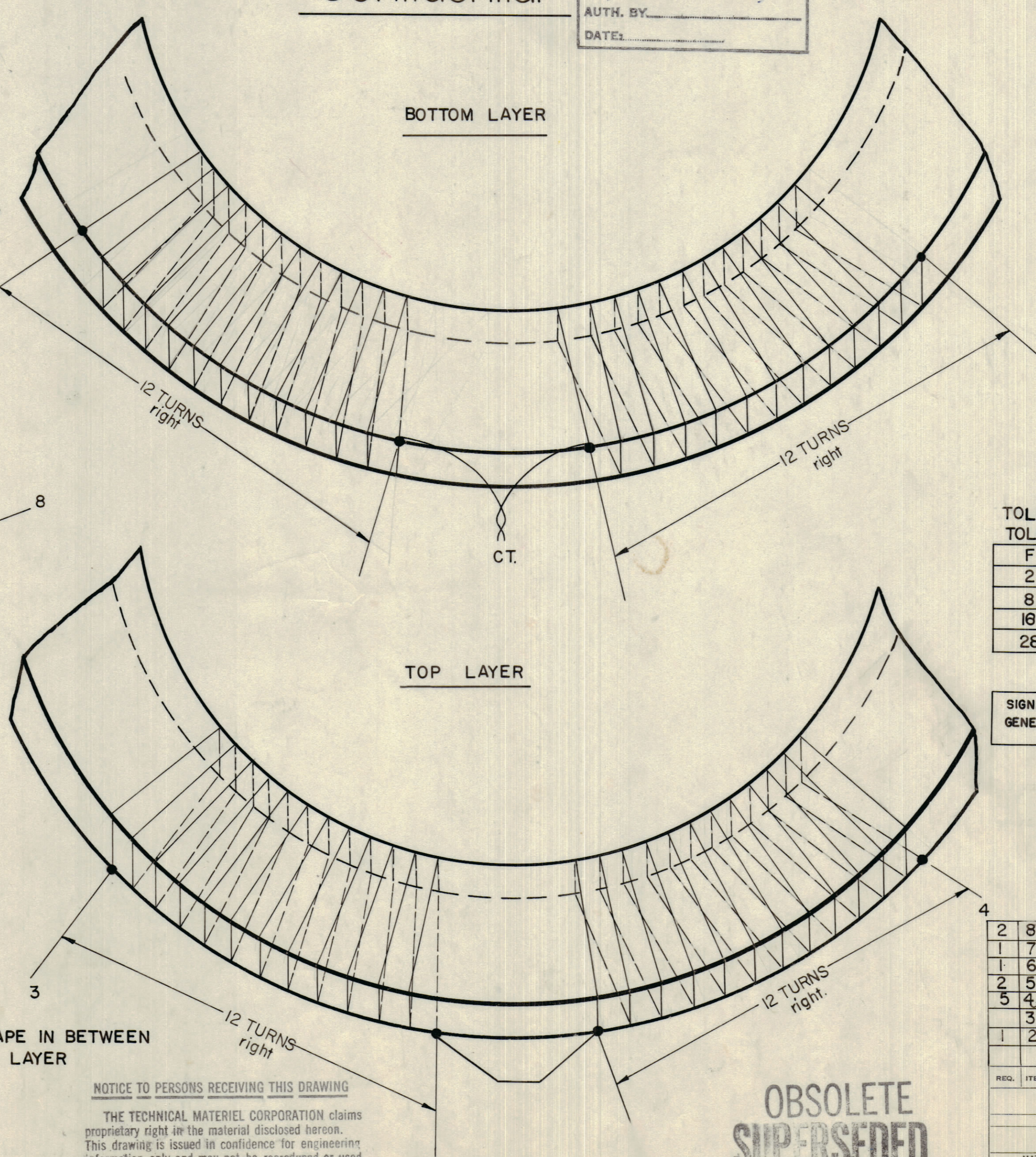
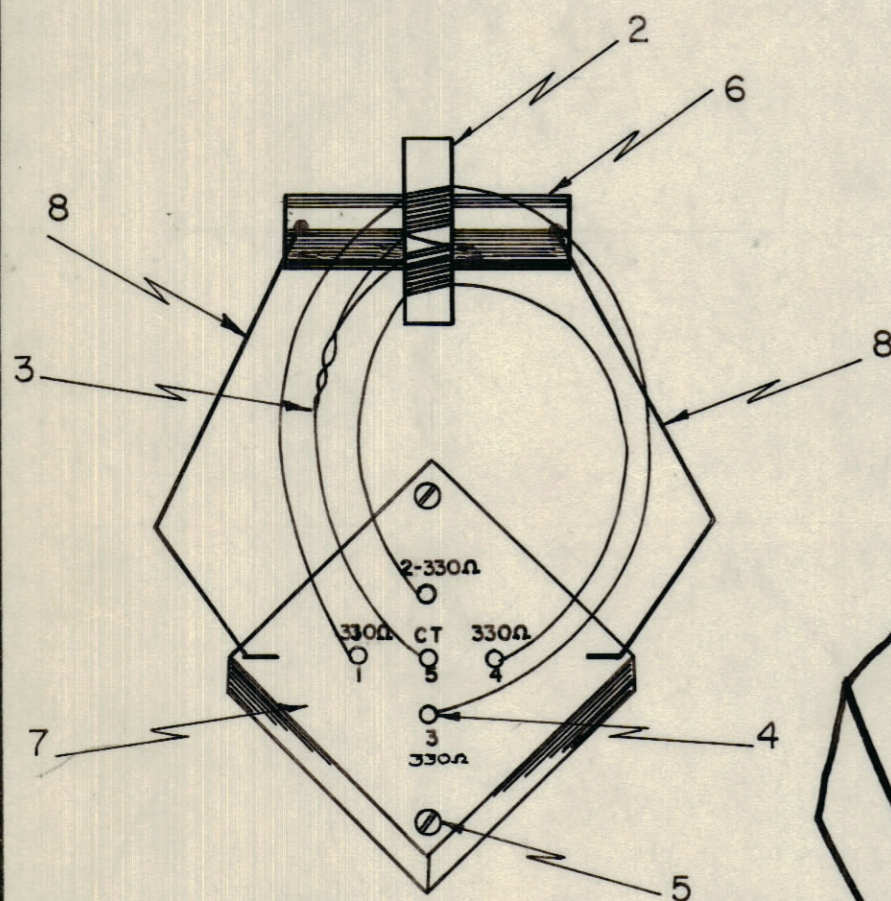
DATE: \_\_\_\_\_

BOTTOM LAYER

TOP LAYER

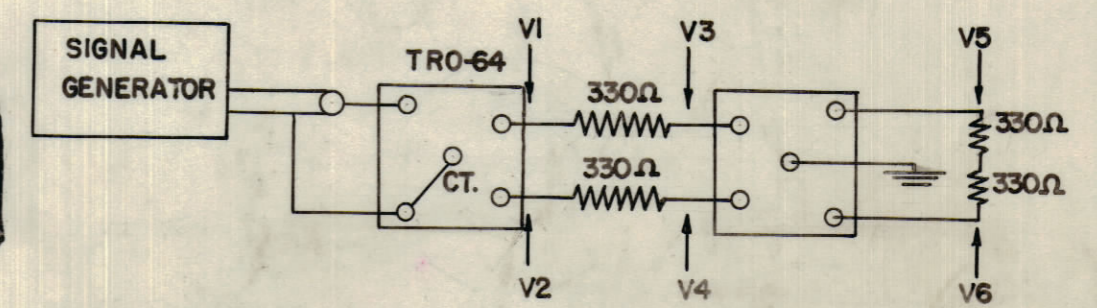


NOTE.  
CENTER ANGLE OF EACH WINDING MUST PASS THROUGH TOROID CENTER.



TEST DATE TR0-72  
TOLERANCE V3 & V4 EQUAL TO WITHIN .01V.  
TOLERANCE V5 & V6 " " " .01V.

F	V1	V2	V3	V4	V5	V6
2	1.0	1.0	0.5 ± 0.1	0.5 ± 0.1	0.4 ± 0.1	0.4 ± 0.1
8	1.0	1.0	0.5 ± 0.1	0.5 ± 0.1	0.4 ± 0.1	0.4 ± 0.1
16	1.0	1.0	0.5 ± 0.1	0.5 ± 0.1	0.4 ± 0.1	0.4 ± 0.1
28	1.0	1.0	0.5 ± 0.1	0.5 ± 0.1	0.4 ± 0.1	0.4 ± 0.1



NOTE. 2 LAYER(S) OF INSULATION TAPE IN BETWEEN BOTTOM LAYER AND TOP LAYER

NOTICE TO PERSONS RECEIVING THIS DRAWING

THE TECHNICAL MATERIEL CORPORATION claims proprietary right in the material disclosed hereon. This drawing is issued in confidence for engineering information only and may not be reproduced or used to manufacture anything shown hereon without permission from THE TECHNICAL MATERIEL CORPORATION to the user. This drawing is loaned for mutual assistance and is subject to recall at any time.

OBSOLETE  
SUPERSEDED  
DIRECTLY REPLACED BY A10347

2	8	STABILISER WIRE NO16
1	7	TERMINAL LID.
1	6	FORM MOUNTING
2	5	SCREW 4-40
5	4	TERMINALS
	3	WIRE NO 30 DCC.
1	2	CORE GRADE - 4D

REQ.	ITEM	PART NO.	DESCRIPTION	SYMBOL
TMC (Canada) LIMITED OTTAWA ONTARIO				
TRANSFORMER TR0-72				
DRAWN		ELEC. DES. APP.		MECH. DES. APP.
CHECKED		FINAL APPROVAL		
A-10 156 A				

ISSUE	ITEM	CHANGED FROM	DATE	CN. NO.	DRAFTS	CHECKER	ENG. APP.
A		OBSOLETE NOTE ADDED	2-2-44	15583			

TOLERANCES

SCALE:

ALL OTHERS DEC. DIM. ±  
FRAC. DIM. ±  
ANGULAR DIM. ±

DRILL, PUNCH, COMMERCIAL STOCK  
SIZES AND MANUFACTURERS  
ARE NOT INCLUDED.

Property of:  
THE TECHNICAL MATERIEL CORPORATION  
MAMARONECK, NEW YORK

MODEL	PROJECT NO.	ASS'Y. NO.	DATE

USED ON