

IF IT IS FOUND DESIRABLE TO CHANGE ANY TOLERANCE OR OTHER DETAIL SPECIFIED ON THIS DRAWING NOTIFY THE PURCHASER PROMPTLY.  
 MAXIMUM ALLOWABLE TOLERANCES HAVE BEEN DETERMINED AND DEVIATIONS WILL BE CAUSE FOR REJECTION. REMOVE ALL BURRS AND SHARP EDGES

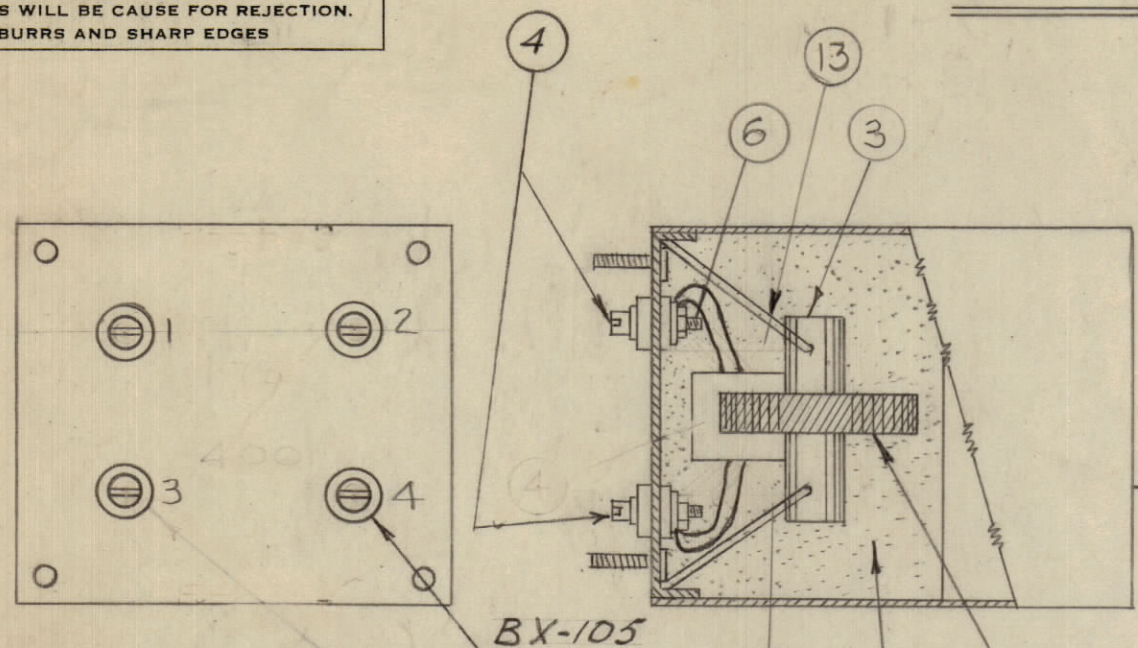
**CONFIDENTIAL**

**ELECTRICAL TEST DATA**

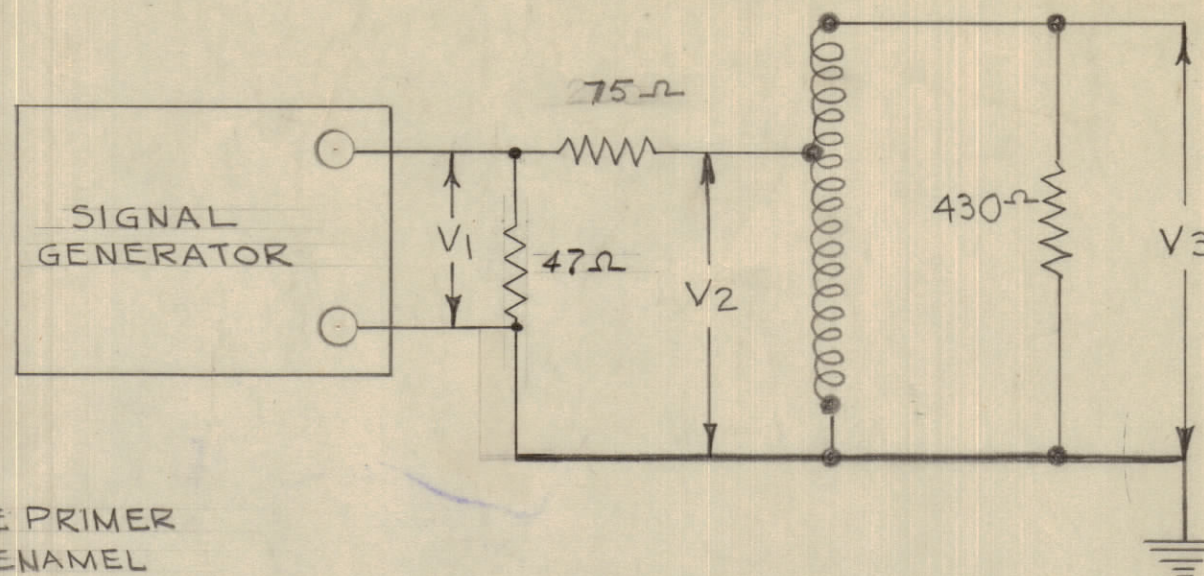
NOTICE TO PERSONS RECEIVING THIS DRAWING

THE TECHNICAL MATERIEL CORPORATION claims proprietary right in the material disclosed hereon. This drawing is issued in confidence for engineering information only and may not be reproduced or used to manufacture anything shown hereon without permission from THE TECHNICAL MATERIEL CORPORATION to the user. This drawing is loaned for mutual assistance and is subject to recall at any time.

Property of:  
 THE TECHNICAL MATERIEL CORPORATION  
 MAMARONECK, NEW YORK



NOTE: 5-114 ZINC CHROMATE PRIMER  
 5-115 SMOOTH GREY ENAMEL



f	R.F. VOLTS *				
f mcs.	V <sub>1</sub>	V <sub>2</sub>	V <sub>3</sub>	V <sub>4</sub>	DB DOWN
2	1.0	.47-50	> 1.14		
8	1.0	.45-50	> 1.12		
28	1.0	.41-50	> .81		

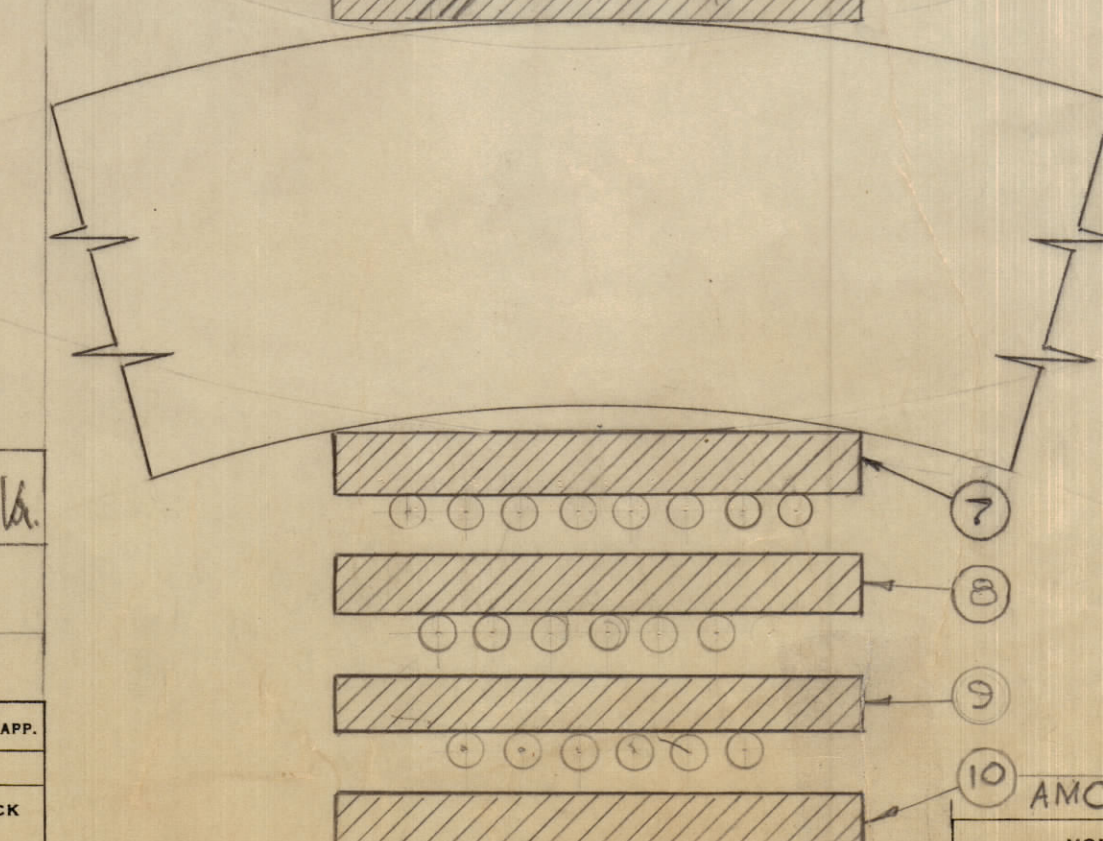
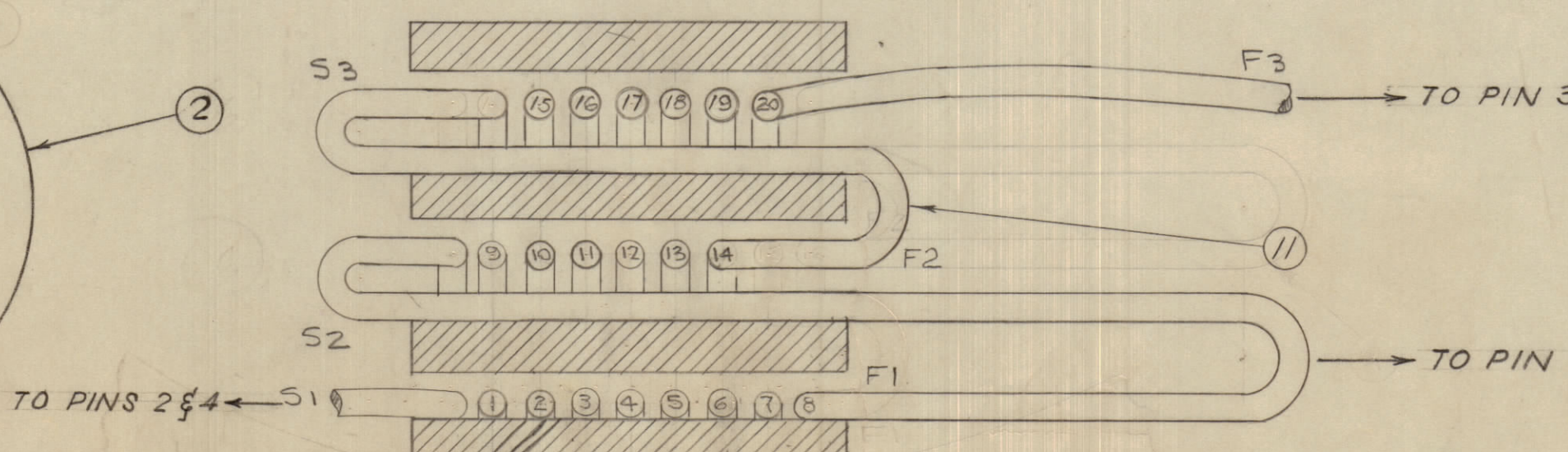
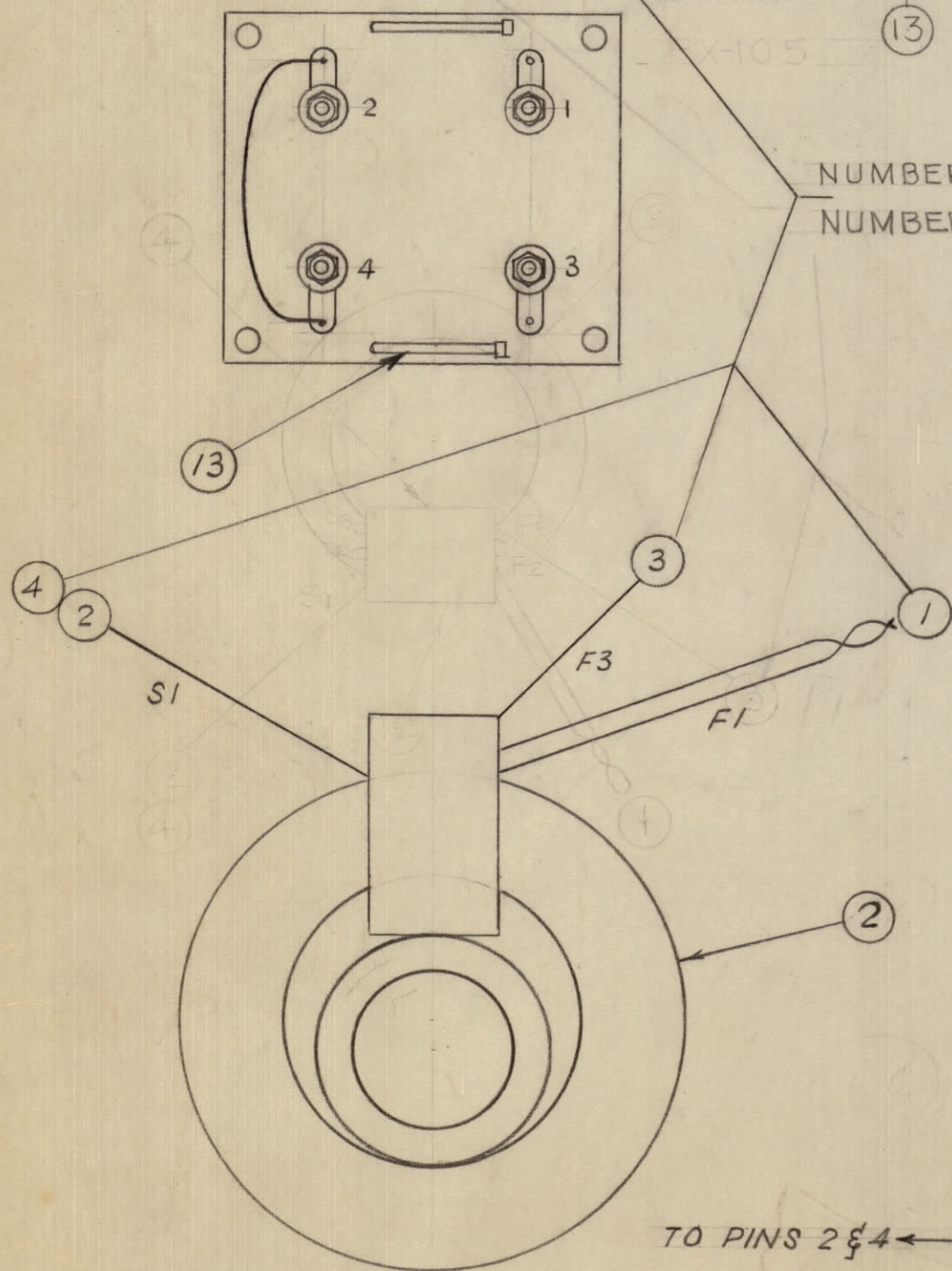
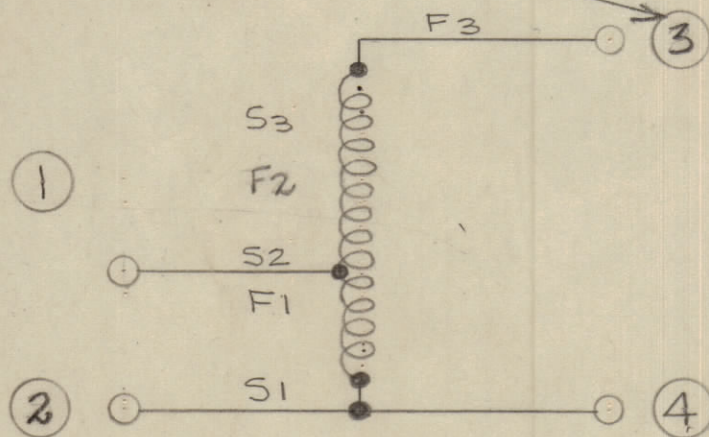
\* VOLTAGES MEASURED WITH H.P.V.T.V.M. OR EQUIV

$$DB\ DOWN = 20 \log_{10} \frac{V_3 (8\ mc.)}{V_3 (2.24, 32\ mc.)}$$

1-2 INPUT 75-ohm UNBALANCED

3-4 OUTPUT 400-ohm UNBALANCED

NUMBERS IN CIRCLES INDICATE TERMINAL NUMBERS AS SHOWN ON COVER



A10040 C

NOT TO BE RELEASED  
 W/O AUTHORIZATION  
 AUTH. BY \_\_\_\_\_  
 DATE: \_\_\_\_\_

REQ. ITEM	PART NO.	DESCRIPTION	SYMBOL
2	13	MS-10259 STABILIZER	
X	12	GL-10001-11 2 COATS- RADIO SERVICE CEMENT	
1	11	WI-10001-11 36" No 30 D.C.C. WIRE	
1	10	TA 10001-2 7 LAYERS TAPE MASKING	
1	9	TA10001-2 6 LAYERS TAPE MASKING	
1	8	TA-10001-2 2 LAYER TAPE MASKING	
1	7	TA-10001-2 5 LAYER TAPE MASKING	
X	6	BS-100 SOLDER SOFT	
X	5	GL-106 POTTING COMPOUND	
4	4	TE-101-1 FEED THROUGH	
1	3	CF-10014 FORMS COIL	
1	2	CI10001-2 CORE GRADE IV B	
1	1	BX105 CASE TRANSFORMER	

ISSUE	ITEM	CHANGED FROM	DATE	CN. NO.	DRAFTS	CHECKER	ENG. APP.
C	3	DWG CHANGED PICTORIALY TEST DATA CHANGED BOM CHANGED	5 JAN 1961			WHD	Sub M.L.
B	2	BOM, SCHEMATIC & RF TABLE ALTERED	27 DEC 1960			WHD	Sub
A	1	WINDING WAS 4 TAPE, 8 WIRE, 1 TAPE, REFERENCE, 7 WIRE, 2 TAPE, 1000 RETRACE, 4 WIRE, 1 TAPE.	10/7/54			L.M.	

MODEL	PROJECT NO.	ASSY. NO.	DATE
AMC-6-2/10U			10-6-55

STOCK SIZE		TMC (Canada) LIMITED OTTAWA ONTARIO	
MATERIAL		TRANSFORMER INPUT	
WEIGHT PER PC.		TR059	
TYPE & TEMPER		DRAWN	MECH. DES. APP.
HEAT TREAT. SPEC.		ELEC. DES. APP.	
FINISH & SPEC. NO.		CHECKED	FINAL APPROVAL
			A10040 C