

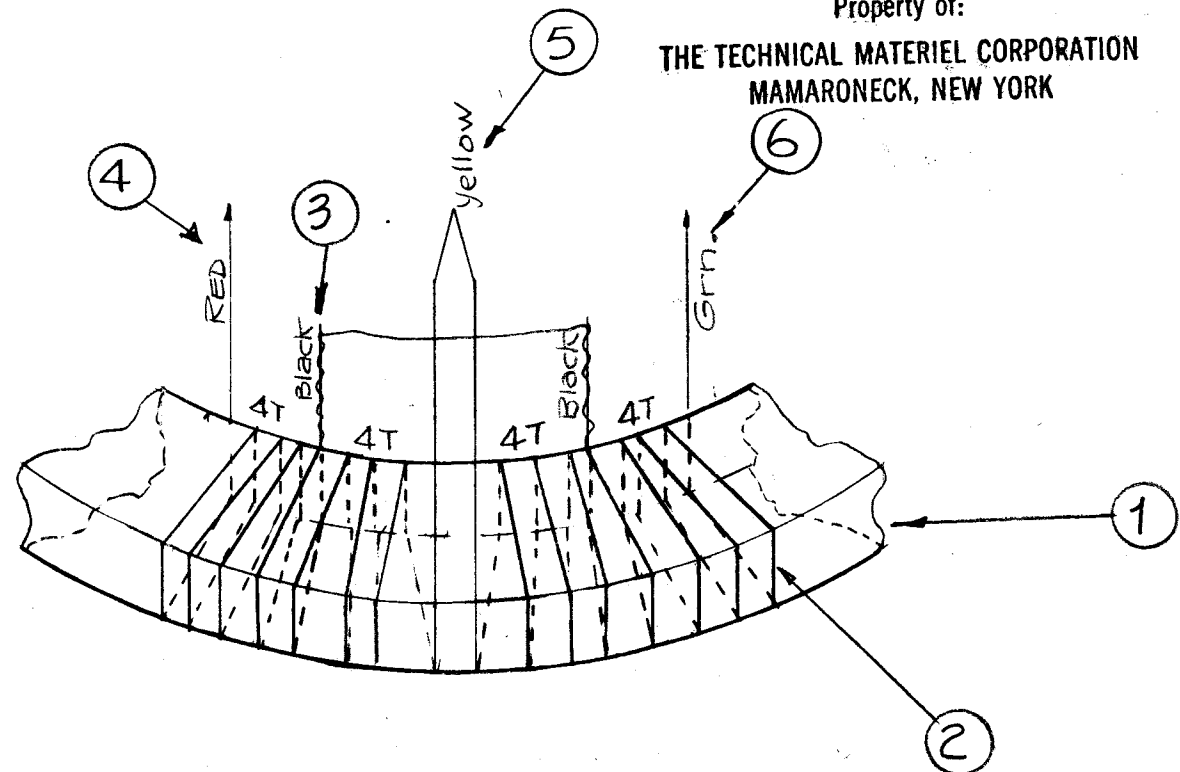
IF IT IS FOUND DESIRABLE TO CHANGE ANY TOLERANCE OR OTHER DETAIL SPECIFIED ON THIS DRAWING NOTIFY THE PURCHASER PROMPTLY.

MAXIMUM ALLOWABLE TOLERANCES HAVE BEEN DETERMINED AND DEVIATIONS WILL BE CAUSE FOR REJECTION. REMOVE ALL BURRS AND SHARP EDGES

**NOTICE TO PERSONS RECEIVING THIS DRAWING**

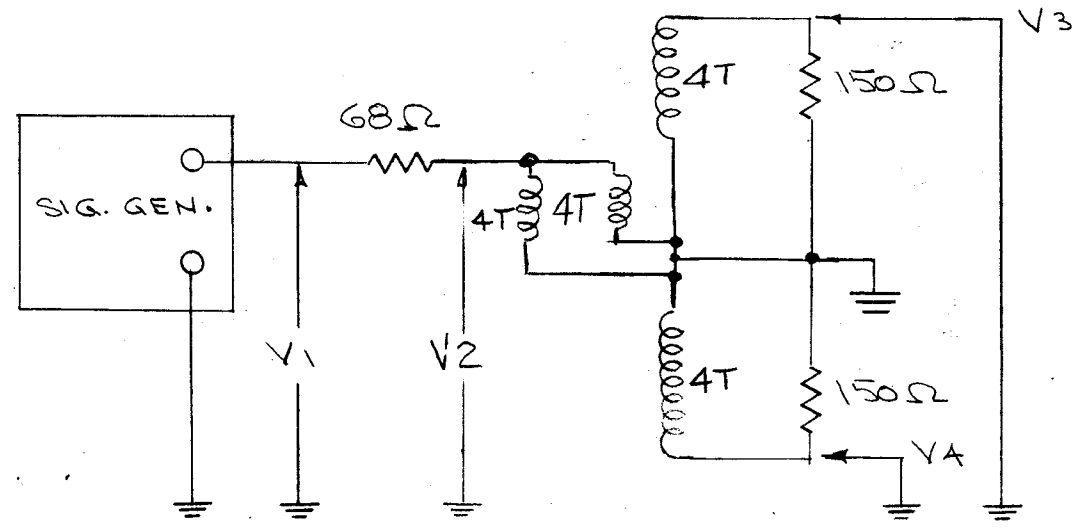
THE TECHNICAL MATERIEL CORPORATION claims proprietary right in the material disclosed hereon. This drawing is issued in confidence for engineering information only and may not be reproduced or used to manufacture anything shown hereon without permission from THE TECHNICAL MATERIEL CORPORATION to the user. This drawing is loaned for mutual assistance and is subject to recall at any time.

Property of:  
THE TECHNICAL MATERIEL CORPORATION  
MAMARONECK, NEW YORK



A-1082 B

**ELECTRICAL TEST DATA**

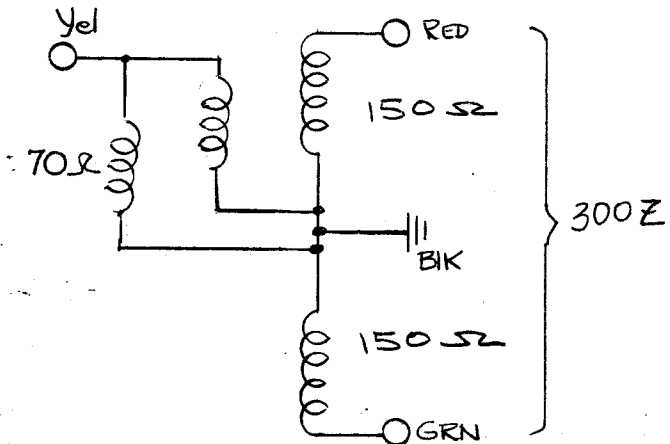


f mc	R F VOLTS *			
	V1	V2	V3	V4
2	1.0	.46	.44	.44
8	1.0	.45	.44	.44
30	1.0	.52	.4	.4

\* H.P. MODEL 410 13

**NOT TO BE RELEASED  
W/O AUTHORIZATION**

AUTH. BY.....  
DATE.....



ALL LEADS 1/2 INCHES

YEL.-BLK. INPUT- 70Ω UNBAL.  
RED-GRN. OUTPUT- 300Ω BAL.  
FREQ. RANGE - 2-30 mc ± 3 db.

REQ.	ITEM	PART NO.	DESCRIPTION	SYMBOL
1"	6	PX-104-A-034	INSULATION, SLEEVING	GRN
1"	5	PX-104-2-034	" "	YEL
1"	4	PX-104-3-034	" "	RED
1"	3	PX-104-1-034	" "	BLK.
X	2	WI-102-9-9	WIRE	WH.
1	1	CI-100-2-H	CORE	

ISSUE	ITEM	CHANGED FROM	DATE	CM. NO.	DRAFTS	CHECKER	ENG. APP.
B	3	on ITEM-3,4,5 & 6 on Part No. 1034 was .053	7/18/61	52	GD	JCR	LG
B	2	on ITEM 3 to 6 "Reg 1" added		45	L	JCR	LG
B	1	on build-up item 1 was CI-100-2 ITEM 2 WAS WI-102-9					
A	1	Winding DATA CHANGED	7/20/61	3002	JCR	JCR	LG

1	RBT-6			2-2-63
1	RBT-4		A-3027	
1	RBT-2		A-948	9-1-55
REQ. PER UNIT	MODEL	PROJECT NO.	ASSY. NO.	DATE
USED ON				

STOCK SIZE	THE TECHNICAL MATERIEL CORP., MAMARONECK, NEW YORK		
MATERIAL	WEIGHT PER PC.	TRANSFORMER SUB ASSY RBT-2	
TYPE & TEMPER	CDD. 9-1-55		
HEAT TREAT. SPEC.	JCR	JCR	
FINISH & SPEC. NO.	CHECKED	FINAL APPROVAL	
		A-1082	B