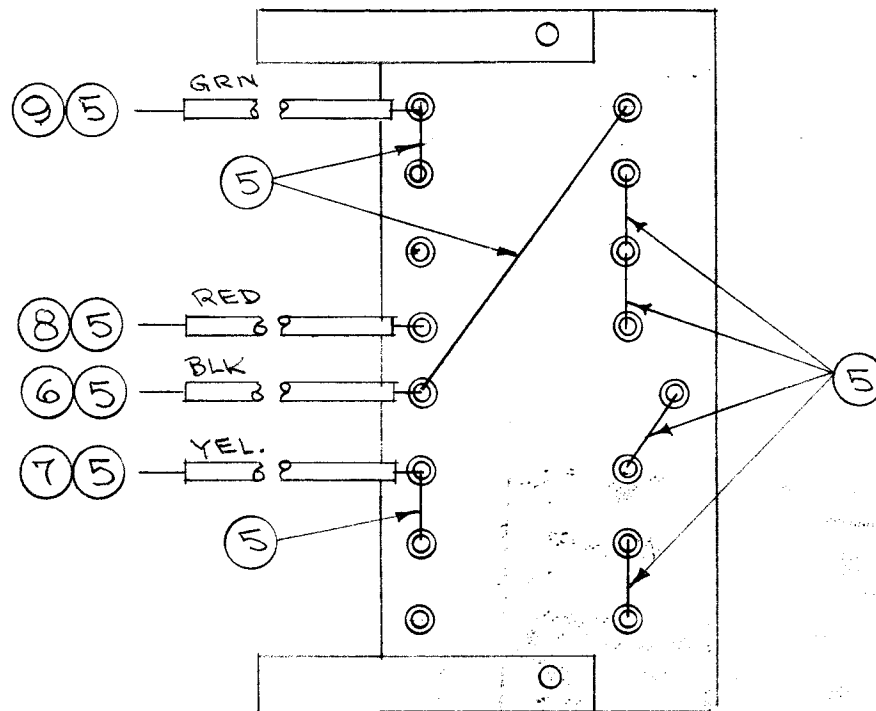
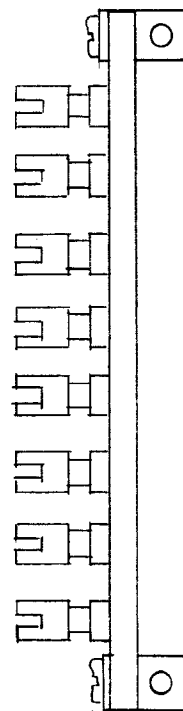
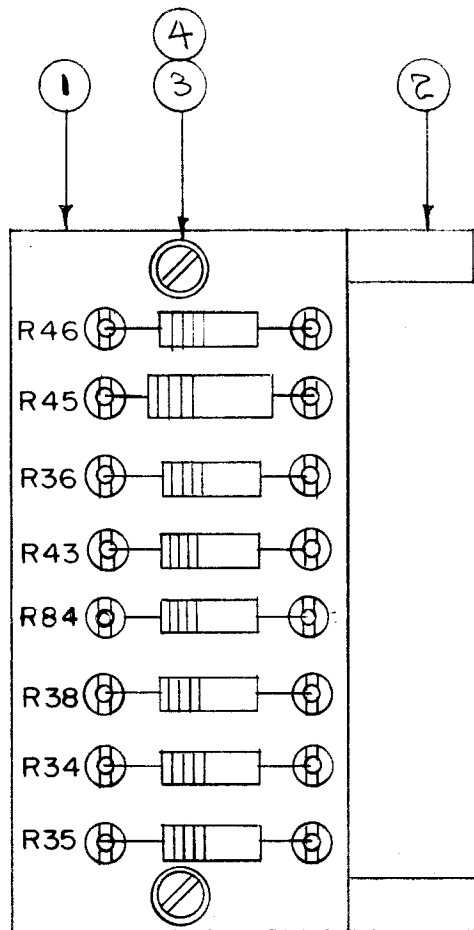


IF IT IS FOUND DESIRABLE TO CHANGE ANY TOLERANCE OR OTHER DETAIL SPECIFIED ON THIS DRAWING NOTIFY THE PURCHASER PROMPTLY.

MAXIMUM ALLOWABLE TOLERANCES HAVE BEEN DETERMINED AND DEVIATIONS WILL BE CAUSE FOR REJECTION. REMOVE ALL BURRS AND SHARP EDGES

A-1059 B



1	16	RC30GF154K	RESISTOR, FIXED	R36
1	15	RC20GF682K	RESISTOR, FIXED	R46
1	14	RC20GF223K	" " "	R45
1	13	RC20GF332K	" " "	R38
2	12	RC20GF104K	" " "	R43 R35
1	11	RC20GF394K	" " "	R34
1	10	RC20GF223K	" " "	R-84
X	9	PX-104-4-.022	INSULATION, SLEEVING (GRN)	
X	8	PX-104-3-.022	" " (RED)	
X	7	PX-104-2-.022	" " (YEL)	
X	6	PX-104-1-.022	" " (BLK.)	
X	5	WL-100-7	WIRE, BUSS BAR 22 GA.	
2	4	SCBS0632 BCG	SCREW, MACHINE	
2	3	LWEO6MRC	WASHER, LOCK	
2	2	PM-350	SUPPORT	
1	1	A-1058	TERM. BD. SUB ASSY.	

**NOTICE TO PERSONS RECEIVING THIS DRAWING**

THE TECHNICAL MATERIEL CORPORATION claims proprietary right in the material disclosed hereon. This drawing is issued in confidence for engineering information only and may not be reproduced or used to manufacture anything shown hereon without permission from THE TECHNICAL MATERIEL CORPORATION to the user. This drawing is loaned for mutual assistance and is subject to recall at any time.

Property of:  
THE TECHNICAL MATERIEL CORPORATION  
MAMARONECK, NEW YORK

B	1	ITEM 10 WAS RR-112	10/27/53	2	P3	FAIR	ATJ
A	2	ITEM 16 WAS RC30GF104K	7-30-53	1	P3	FAIR	WDC
A	1	ITEM 13 WAS RC20GF103K					
ISSUE	ITEM	CHANGED FROM	DATE	CN. NO.	DRAFTS	CHECKER	ENG. APP.

TOLERANCES		SCALE:	
ALL OTHERS	DEC. DIM. ± FRAC. DIM. ± ANGULAR DIM. ±	DRILL, PUNCH, COMMERCIAL STOCK SIZES AND MANUFACTURERS TOLERANCES ARE NOT INCLUDED.	

1	FSS			7-25-55
REQ. PER UNIT	MODEL	PROJECT NO.	ASSY. NO.	DATE
USED ON				

REQ. ITEM	PART NO.	DESCRIPTION	SYMBOL
<b>THE TECHNICAL MATERIEL CORP.</b> MAMARONECK, NEW YORK			
STOCK SIZE			
MATERIAL WEIGHT PER PC.			
TYPE & TEMPER			
HEAT TREAT. SPEC.			
FINISH & SPEC. NO.			

TIME BASE TERM. BOARD  
ASSEMBLY. FSS

ADD. 7-25-55

DRAWN: FAIR, ELEC. DES. APP. WDC, MECH. DES. APP. WDC

CHECKED: FAIR, FINAL APPROVAL: WDC

A-1059 B