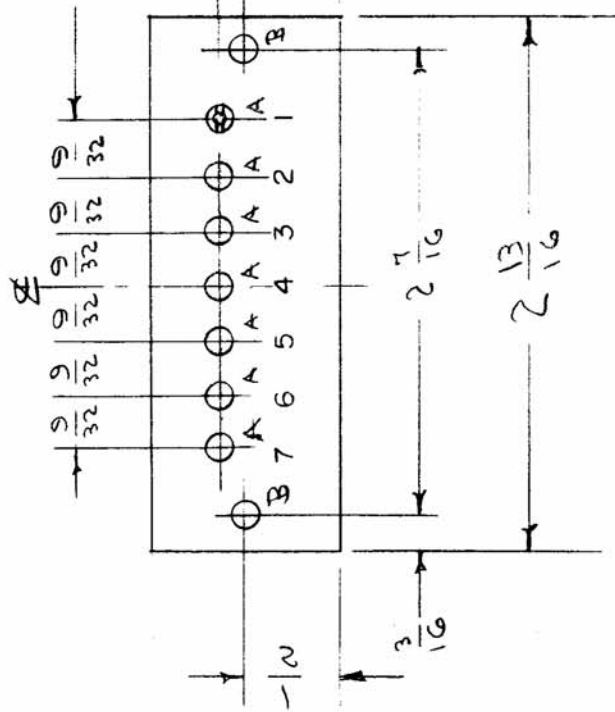


IF IT IS FOUND DESIRABLE TO CHANGE ANY TOLERANCE OR OTHER DETAIL SPECIFIED ON THIS DRAWING NOTIFY THE PURCHASER PROMPTLY.

MAXIMUM ALLOWABLE TOLERANCES HAVE BEEN DETERMINED AND DEVIATIONS WILL BE CAUSE FOR REJECTION. REMOVE ALL BURRS AND SHARP EDGES

MARKING PROCESS: AS PER TMC SPECIFICATION S-727

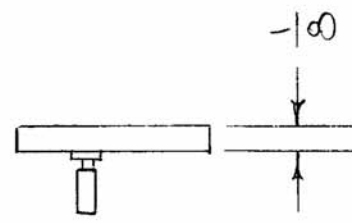


LETTERING TO BE 1/8 HIGH BLACK GOTHIC COATED WITH 2-113 FUNGUS RESISTANT VARNISH BEFORE LUGS ARE STAKED

ISSUE ITEM	CHANGED FROM	DATE	CN. NO.	DRAFTS	CHECKER	ENG. APP.
A 1	LUG TURNED 90°	2-18-57	1	SC.	16	ONE
TOLERANCES						
SCALE						
DEC. DIM. ±						
FRAC. DIM. ±						
ALL OTHERS AN ULAR DIM. ±						
DRILL, PUNCH, COMMERCIAL STOCK SIZES AND MANUFACTURERS TOLERANCES ARE NOT INCLUDED.						

REQ. PER UNIT	MODEL	PROJECT NO.	USED ON
1	FSS		

A-2.9 M.M  
B-1 1/16 (0.140) D. 2 " "



REQ. ITEM	PART NO.	DESCRIPTION	SYMBOL
7 2	TE-109-3	LUG	
1	PX-290	BOARD, TERMINAL (NO DING)	
STOCK SIZE		1/8 THICK	
MATERIAL		PHENOLIC	
WEIGHT PER PC.			
TYPE & TEMPER		XXXR LAMINATE	
HEAT TREAT. SPEC.		SEE ABOVE	
FINISH & SPEC. NO.			
DRAWN		ODD. SWISS	
ELEC. DES. APP.		2B	
MECH. DES. APP.			
CHECKED		HAD	
FINAL APPROVAL		K2 A.J.J.	
MATERIAL		PHENOLIC	
WEIGHT PER PC.			
TYPE & TEMPER		XXXR LAMINATE	
HEAT TREAT. SPEC.		SEE ABOVE	
FINISH & SPEC. NO.			
DRAWN		ODD. SWISS	
ELEC. DES. APP.		2B	
MECH. DES. APP.			
CHECKED		HAD	
FINAL APPROVAL		K2 A.J.J.	
MATERIAL		PHENOLIC	
WEIGHT PER PC.			
TYPE & TEMPER		XXXR LAMINATE	
HEAT TREAT. SPEC.		SEE ABOVE	
FINISH & SPEC. NO.			
DRAWN		ODD. SWISS	
ELEC. DES. APP.		2B	
MECH. DES. APP.			
CHECKED		HAD	
FINAL APPROVAL		K2 A.J.J.	
MATERIAL		PHENOLIC	
WEIGHT PER PC.			
TYPE & TEMPER		XXXR LAMINATE	
HEAT TREAT. SPEC.		SEE ABOVE	
FINISH & SPEC. NO.			
DRAWN		ODD. SWISS	
ELEC. DES. APP.		2B	
MECH. DES. APP.			
CHECKED		HAD	
FINAL APPROVAL		K2 A.J.J.	
MATERIAL		PHENOLIC	
WEIGHT PER PC.			
TYPE & TEMPER		XXXR LAMINATE	
HEAT TREAT. SPEC.		SEE ABOVE	
FINISH & SPEC. NO.			
DRAWN		ODD. SWISS	
ELEC. DES. APP.		2B	
MECH. DES. APP.			
CHECKED		HAD	
FINAL APPROVAL		K2 A.J.J.	
MATERIAL		PHENOLIC	
WEIGHT PER PC.			
TYPE & TEMPER		XXXR LAMINATE	
HEAT TREAT. SPEC.		SEE ABOVE	
FINISH & SPEC. NO.			
DRAWN		ODD. SWISS	
ELEC. DES. APP.		2B	
MECH. DES. APP.			
CHECKED		HAD	
FINAL APPROVAL		K2 A.J.J.	
MATERIAL		PHENOLIC	
WEIGHT PER PC.			
TYPE & TEMPER		XXXR LAMINATE	
HEAT TREAT. SPEC.		SEE ABOVE	
FINISH & SPEC. NO.			
DRAWN		ODD. SWISS	
ELEC. DES. APP.		2B	
MECH. DES. APP.			
CHECKED		HAD	
FINAL APPROVAL		K2 A.J.J.	
MATERIAL		PHENOLIC	
WEIGHT PER PC.			
TYPE & TEMPER		XXXR LAMINATE	
HEAT TREAT. SPEC.		SEE ABOVE	
FINISH & SPEC. NO.			
DRAWN		ODD. SWISS	
ELEC. DES. APP.		2B	
MECH. DES. APP.			
CHECKED		HAD	
FINAL APPROVAL		K2 A.J.J.	
MATERIAL		PHENOLIC	
WEIGHT PER PC.			
TYPE & TEMPER		XXXR LAMINATE	
HEAT TREAT. SPEC.		SEE ABOVE	
FINISH & SPEC. NO.			
DRAWN		ODD. SWISS	
ELEC. DES. APP.		2B	
MECH. DES. APP.			
CHECKED		HAD	
FINAL APPROVAL		K2 A.J.J.	
MATERIAL		PHENOLIC	
WEIGHT PER PC.			
TYPE & TEMPER		XXXR LAMINATE	
HEAT TREAT. SPEC.		SEE ABOVE	
FINISH & SPEC. NO.			
DRAWN		ODD. SWISS	
ELEC. DES. APP.		2B	
MECH. DES. APP.			
CHECKED		HAD	
FINAL APPROVAL		K2 A.J.J.	
MATERIAL		PHENOLIC	
WEIGHT PER PC.			
TYPE & TEMPER		XXXR LAMINATE	
HEAT TREAT. SPEC.		SEE ABOVE	
FINISH & SPEC. NO.			
DRAWN		ODD. SWISS	
ELEC. DES. APP.		2B	
MECH. DES. APP.			
CHECKED		HAD	
FINAL APPROVAL		K2 A.J.J.	
MATERIAL		PHENOLIC	
WEIGHT PER PC.			
TYPE & TEMPER		XXXR LAMINATE	
HEAT TREAT. SPEC.		SEE ABOVE	
FINISH & SPEC. NO.			
DRAWN		ODD. SWISS	
ELEC. DES. APP.		2B	
MECH. DES. APP.			
CHECKED		HAD	
FINAL APPROVAL		K2 A.J.J.	
MATERIAL		PHENOLIC	
WEIGHT PER PC.			
TYPE & TEMPER		XXXR LAMINATE	
HEAT TREAT. SPEC.		SEE ABOVE	
FINISH & SPEC. NO.			
DRAWN		ODD. SWISS	
ELEC. DES. APP.		2B	
MECH. DES. APP.			
CHECKED		HAD	
FINAL APPROVAL		K2 A.J.J.	
MATERIAL		PHENOLIC	
WEIGHT PER PC.			
TYPE & TEMPER		XXXR LAMINATE	
HEAT TREAT. SPEC.		SEE ABOVE	
FINISH & SPEC. NO.			
DRAWN		ODD. SWISS	
ELEC. DES. APP.		2B	
MECH. DES. APP.			
CHECKED		HAD	
FINAL APPROVAL		K2 A.J.J.	
MATERIAL		PHENOLIC	
WEIGHT PER PC.			
TYPE & TEMPER		XXXR LAMINATE	
HEAT TREAT. SPEC.		SEE ABOVE	
FINISH & SPEC. NO.			
DRAWN		ODD. SWISS	
ELEC. DES. APP.		2B	
MECH. DES. APP.			
CHECKED		HAD	
FINAL APPROVAL		K2 A.J.J.	
MATERIAL		PHENOLIC	
WEIGHT PER PC.			
TYPE & TEMPER		XXXR LAMINATE	
HEAT TREAT. SPEC.		SEE ABOVE	
FINISH & SPEC. NO.			
DRAWN		ODD. SWISS	
ELEC. DES. APP.		2B	
MECH. DES. APP.			
CHECKED		HAD	
FINAL APPROVAL		K2 A.J.J.	
MATERIAL		PHENOLIC	
WEIGHT PER PC.			
TYPE & TEMPER		XXXR LAMINATE	
HEAT TREAT. SPEC.		SEE ABOVE	
FINISH & SPEC. NO.			
DRAWN		ODD. SWISS	
ELEC. DES. APP.		2B	
MECH. DES. APP.			
CHECKED		HAD	
FINAL APPROVAL		K2 A.J.J.	
MATERIAL		PHENOLIC	
WEIGHT PER PC.			
TYPE & TEMPER		XXXR LAMINATE	
HEAT TREAT. SPEC.		SEE ABOVE	
FINISH & SPEC. NO.			
DRAWN		ODD. SWISS	
ELEC. DES. APP.		2B	
MECH. DES. APP.			
CHECKED		HAD	
FINAL APPROVAL		K2 A.J.J.	
MATERIAL		PHENOLIC	
WEIGHT PER PC.			
TYPE & TEMPER		XXXR LAMINATE	
HEAT TREAT. SPEC.		SEE ABOVE	
FINISH & SPEC. NO.			
DRAWN		ODD. SWISS	
ELEC. DES. APP.		2B	
MECH. DES. APP.			
CHECKED		HAD	
FINAL APPROVAL		K2 A.J.J.	
MATERIAL		PHENOLIC	
WEIGHT PER PC.			
TYPE & TEMPER		XXXR LAMINATE	
HEAT TREAT. SPEC.		SEE ABOVE	
FINISH & SPEC. NO.			
DRAWN		ODD. SWISS	
ELEC. DES. APP.		2B	
MECH. DES. APP.			
CHECKED		HAD	
FINAL APPROVAL		K2 A.J.J.	
MATERIAL		PHENOLIC	
WEIGHT PER PC.			
TYPE & TEMPER		XXXR LAMINATE	
HEAT TREAT. SPEC.		SEE ABOVE	
FINISH & SPEC. NO.			
DRAWN		ODD. SWISS	
ELEC. DES. APP.		2B	
MECH. DES. APP.			
CHECKED		HAD	
FINAL APPROVAL		K2 A.J.J.	
MATERIAL		PHENOLIC	
WEIGHT PER PC.			
TYPE & TEMPER		XXXR LAMINATE	
HEAT TREAT. SPEC.		SEE ABOVE	
FINISH & SPEC. NO.			
DRAWN		ODD. SWISS	
ELEC. DES. APP.		2B	
MECH. DES. APP.			
CHECKED		HAD	
FINAL APPROVAL		K2 A.J.J.	
MATERIAL		PHENOLIC	
WEIGHT PER PC.			
TYPE & TEMPER		XXXR LAMINATE	
HEAT TREAT. SPEC.		SEE ABOVE	
FINISH & SPEC. NO.			
DRAWN		ODD. SWISS	
ELEC. DES. APP.		2B	
MECH. DES. APP.			
CHECKED		HAD	
FINAL APPROVAL		K2 A.J.J.	
MATERIAL		PHENOLIC	
WEIGHT PER PC.			
TYPE & TEMPER		XXXR LAMINATE	
HEAT TREAT. SPEC.		SEE ABOVE	
FINISH & SPEC. NO.			
DRAWN		ODD. SWISS	
ELEC. DES. APP.		2B	
MECH. DES. APP.			
CHECKED		HAD	
FINAL APPROVAL		K2 A.J.J.	
MATERIAL		PHENOLIC	
WEIGHT PER PC.			
TYPE & TEMPER		XXXR LAMINATE	
HEAT TREAT. SPEC.		SEE ABOVE	
FINISH & SPEC. NO.			
DRAWN		ODD. SWISS	
ELEC. DES. APP.		2B	
MECH. DES. APP.			
CHECKED		HAD	
FINAL APPROVAL		K2 A.J.J.	
MATERIAL		PHENOLIC	
WEIGHT PER PC.			
TYPE & TEMPER		XXXR LAMINATE	
HEAT TREAT. SPEC.		SEE ABOVE	
FINISH & SPEC. NO.			
DRAWN		ODD. SWISS	
ELEC. DES. APP.		2B	
MECH. DES. APP.			
CHECKED		HAD	
FINAL APPROVAL		K2 A.J.J.	
MATERIAL		PHENOLIC	
WEIGHT PER PC.			
TYPE & TEMPER		XXXR LAMINATE	
HEAT TREAT. SPEC.		SEE ABOVE	
FINISH & SPEC. NO.			
DRAWN		ODD. SWISS	
ELEC. DES. APP.		2B	
MECH. DES. APP.			
CHECKED		HAD	
FINAL APPROVAL		K2 A.J.J.	
MATERIAL		PHENOLIC	
WEIGHT PER PC.			
TYPE & TEMPER		XXXR LAMINATE	
HEAT TREAT. SPEC.		SEE ABOVE	
FINISH & SPEC. NO.			
DRAWN		ODD. SWISS	
ELEC. DES. APP.		2B	
MECH. DES. APP.			
CHECKED		HAD	
FINAL APPROVAL		K2 A.J.J.	
MATERIAL		PHENOLIC	
WEIGHT PER PC.			
TYPE & TEMPER		XXXR LAMINATE	
HEAT TREAT. SPEC.		SEE ABOVE	
FINISH & SPEC. NO.			
DRAWN		ODD. SWISS	
ELEC. DES. APP.		2B	
MECH. DES. APP.			
CHECKED		HAD	
FINAL APPROVAL		K2 A.J.J.	
MATERIAL		PHENOLIC	
WEIGHT PER PC.			
TYPE & TEMPER		XXXR LAMINATE	
HEAT TREAT. SPEC.		SEE ABOVE	
FINISH & SPEC. NO.			
DRAWN		ODD. SWISS	
ELEC. DES. APP.		2B	
MECH. DES. APP.			
CHECKED		HAD	
FINAL APPROVAL		K2 A.J.J.	
MATERIAL		PHENOLIC	
WEIGHT PER PC.			
TYPE & TEMPER		XXXR LAMINATE	
HEAT TREAT. SPEC.		SEE ABOVE	
FINISH & SPEC. NO.			
DRAWN		ODD. SWISS	
ELEC. DES. APP.		2B	
MECH. DES. APP.			
CHECKED		HAD	
FINAL APPROVAL		K2 A.J.J.	
MATERIAL		PHENOLIC	
WEIGHT PER PC.			
TYPE & TEMPER		XXXR LAMINATE	
HEAT TREAT. SPEC.		SEE ABOVE	
FINISH & SPEC. NO.			
DRAWN		ODD. SWISS	
ELEC. DES. APP.		2B	
MECH. DES. APP.			
CHECKED		HAD	
FINAL APPROVAL		K2 A.J.J.	
MATERIAL		PHENOLIC	
WEIGHT PER PC.			