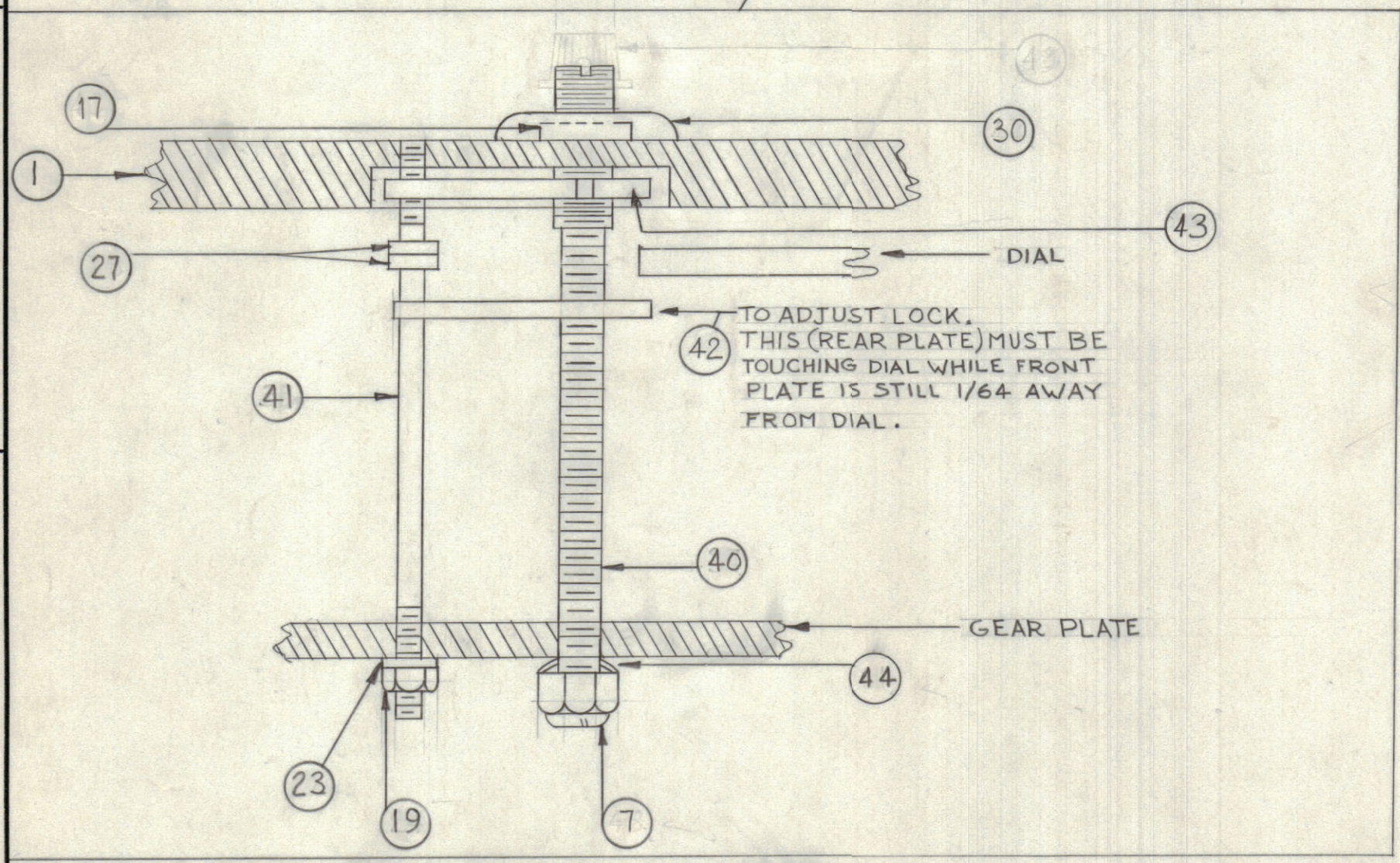
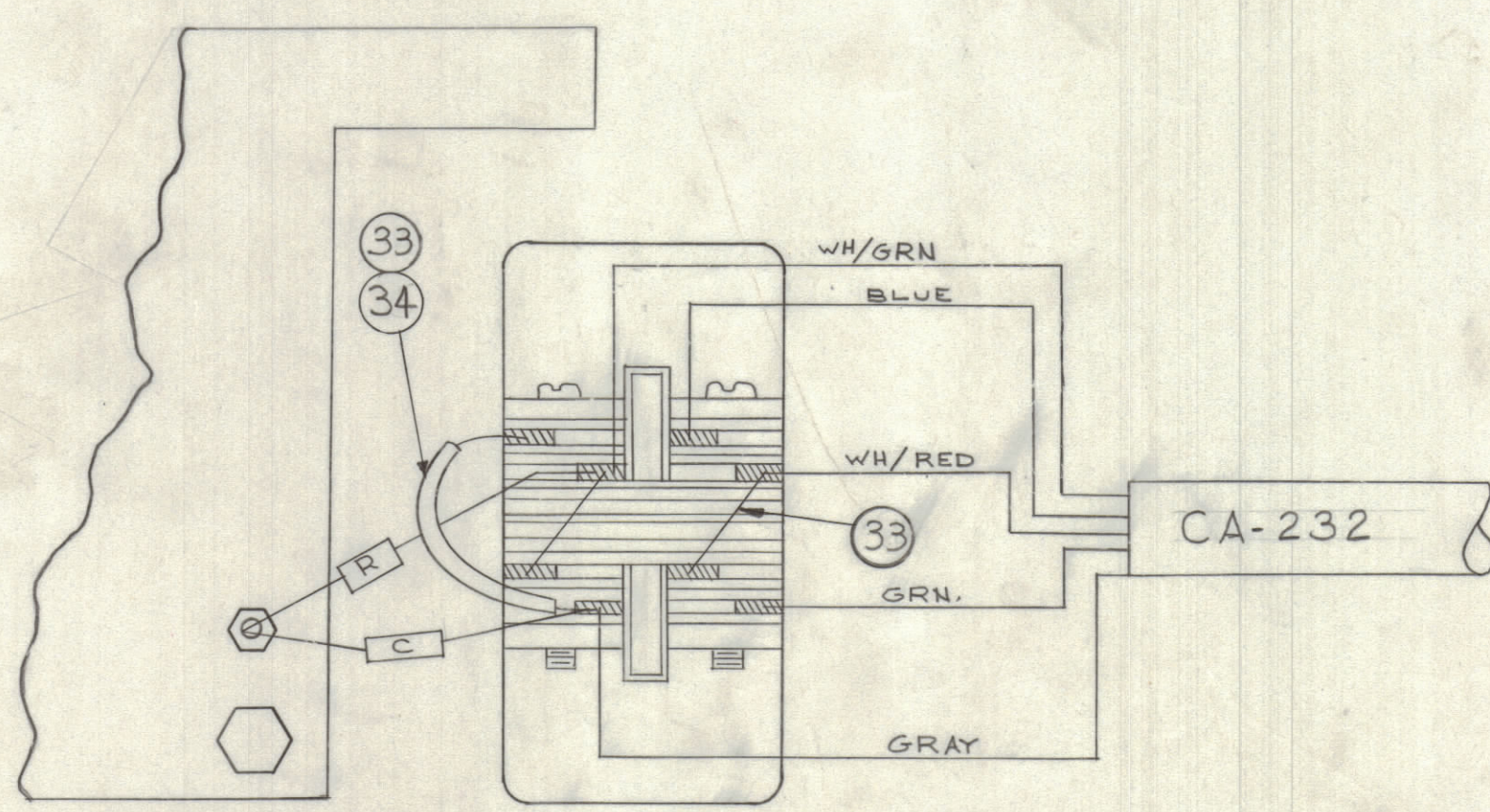


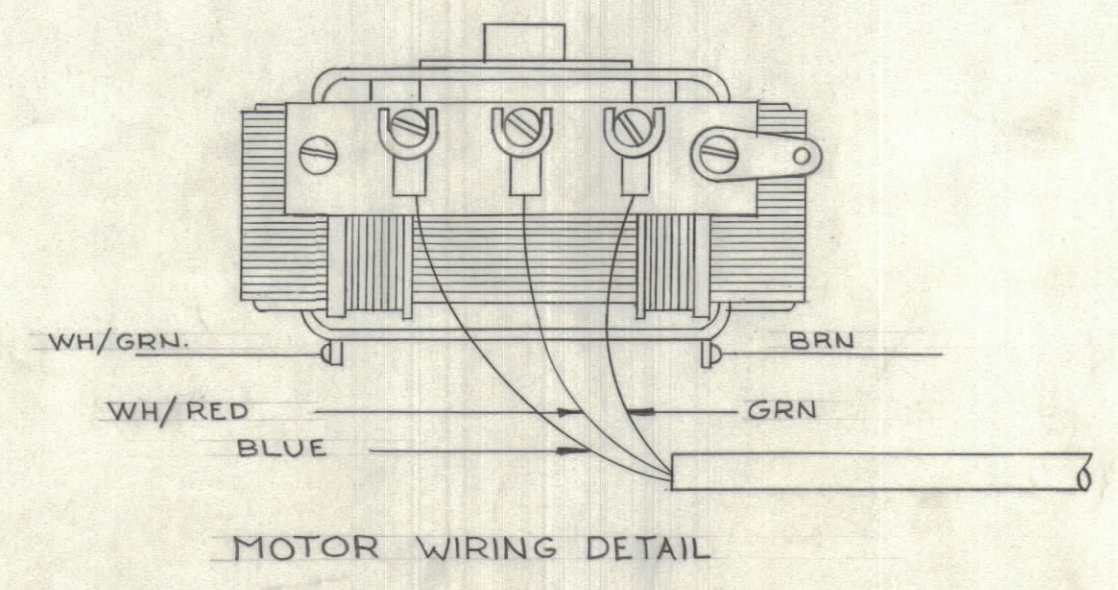
COUPLING & SHAFT ON ASSY. OF MULTIPLIER TO FRONT PANEL. CHECK FIT OF BEARING & SHAFT BEFORE MOUNTING.



INSTALLATION & ADJUSTMENT DETAIL - DIAL LOCK ASSY.



WIRING DETAIL FOR S-304 (ITEM 10)



MOTOR WIRING DETAIL

NOTICE TO PERSONS RECEIVING THIS DRAWING

THE TECHNICAL MATERIEL CORPORATION claims proprietary right in the material disclosed hereon. This drawing is issued in confidence for engineering information only and may not be reproduced or used to manufacture anything shown hereon without permission from THE TECHNICAL MATERIEL CORPORATION to the user. This drawing is loaned for mutual assistance and is subject to recall at any time.

Property of:  
THE TECHNICAL MATERIEL CORPORATION  
MAMARONECK, NEW YORK

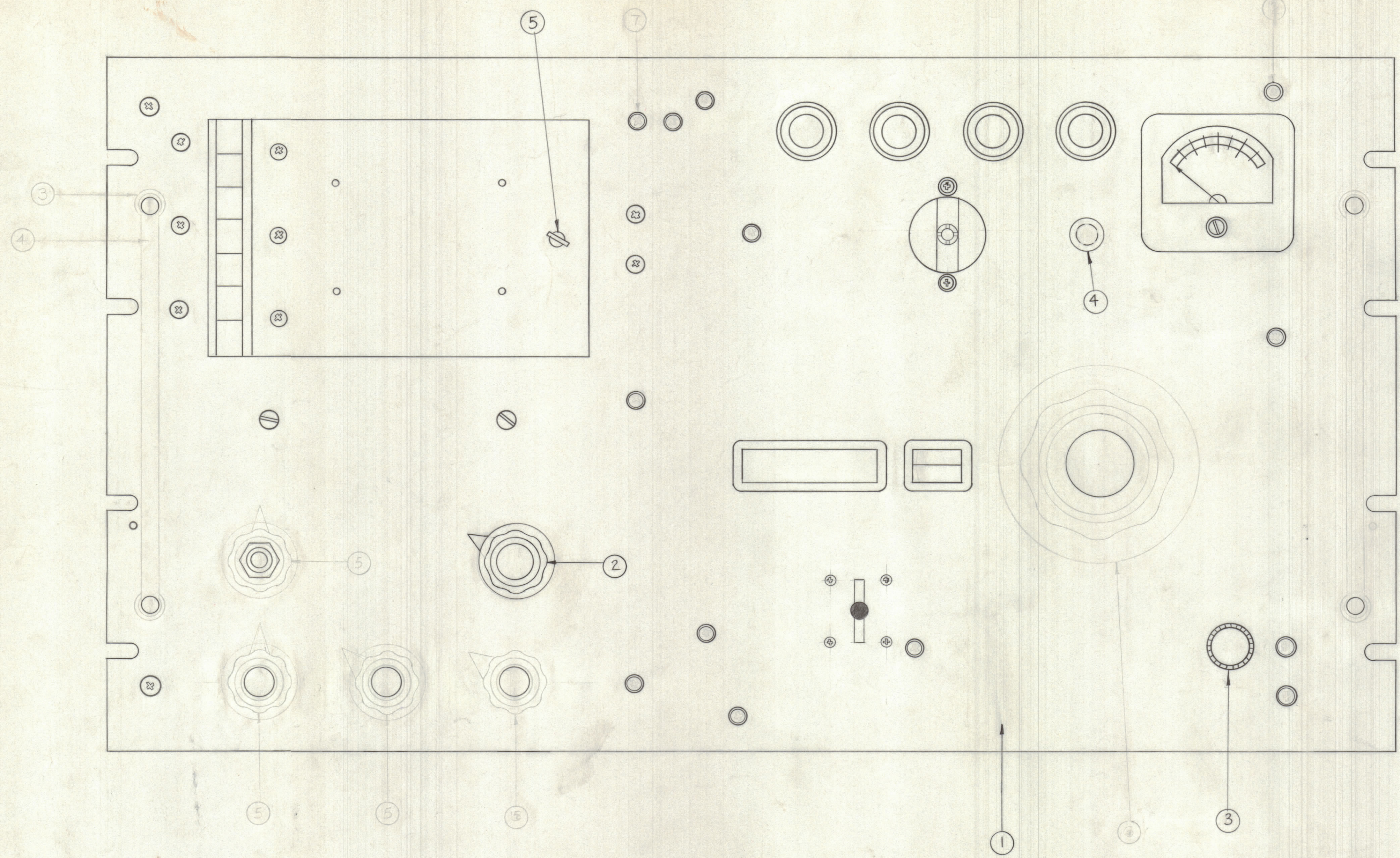
REQ. ITEM	PART NO.	DESCRIPTION	SYMBOL
2	49	PM-181-NL	SHAFT, LOCK
2	48	SCFP0632BN8	SCREW, MACHINE
2	47	NTH0632BN8	NUT, HEX.
2	46	LWEO6MRN	LOCKWASHER, EXTERNAL
2	45	PM-420	SPACER
1	44	WA-115	WASHER, SPRING
1	43	PM-225	DISC, FRONT
1	42	PM-224	DISC, REAR
1	41	PM-312	PIN, DIAL LOCK
1	40	PM-311	SHAFT, DIAL LOCK
1	39	RA100ASRD503A	RESISTOR, VARIABLE
X	38	BS-100	SOLDER, SOFT (ALL CONNECTIONS)
2	37	SC-123-00-2	SCREW, DRIVE
1	36	PX-240	FIDUCIARY
1	35	BB-101	BEARING, PANEL
X	34	PX-104-1-.022	INSULATION, SLEEVING (BLACK)
X	33	WL-100-7	WIRE, BUSS BAR (22 GAUGE)
1"	32	PX-104-1-.133	INSULATION, SLEEVING (BLACK)
7	31	TE-104-4	TERMINAL, LOCKING
1	30	WA-118-6	WASHER, CUP
2	29	NTH0348BN6	NUT, HEX
2	28	LWS03MRN	WASHER, LOCK
4	27	FW04HBN	WASHER, FLAT
2	26	SCFP0348BN4	SCREW, MACHINE, PHILLIPS
4	25	FW02HBN	WASHER, FLAT
4	24	SFBP0256BN3	SCREW, THREAD CUT
9	23	LWEO4MRN	WASHER, LOCK
2	22	PN-105	CROSS PIN
1	21	FS-106-7	STUD, WING HEAD
2	20	FS-105-10	STUD, OVAL HEAD
9	19	NTH0440BN8	NUT, HEX
6	18	SCFP0440BN7	SCREW, MACHINE, PHILLIPS
1	17	WA-113	WASHER, "C" TYPE
1	16	NP-106	NAME PLATE VMO
1	15	FS-100	SPRING UNIT
1	14	MS-302	BRACKET, FRONT DOOR LOCK
1	13	MS-291	DOOR, FRONT PANEL
1	12	HI-101	HINGE, DOOR
3	11	TE-120-2	SPADE LUG
1	10	SW-103	SWITCH, MOTOR CONTROL
1	9	CM35B103K	CAPACITOR, FIXED
1	8	MR-100-1	METER, PANEL
1	7	SM-127-D-1032	NUT, LOCK
1	6	BI-101-44	LAMP
3	5	BI-100-51	LAMP
1	4	TS-106-1	SOCKET, LENS
3	3	TS-106-2	SOCKET, LENS
1	2	CA-232	CABLE ASSEMBLY
1	1	MS-596	PANEL, FRONT

SYM	ZONE	DESCRIPTION	DATE	CH. NO.	DRAFTS	CHECKER	ENG. APP.
		REDRAWN & REVISED	6-25-62	1410	W.H.F.		
UNLESS OTHERWISE SPECIFIED:			SCALE				
DIMENSIONS ARE IN INCHES			MAXIMUM ALLOWABLE TOLERANCES HAVE BEEN DETERMINED AND ANY DEVIATIONS WILL BE CAUSE FOR REJECTION. REMOVE ALL BURRS & SHARP EDGES				
TOLERANCES ON FRACTIONS ± 1/64			DECIMALS ± .005		ANGLES ± 1/2°		

1	VOX-6			3-6-62
1	VOX-4			3-6-62
1	VOX-1			5-26-55
REQ. PER UNIT	MODEL	SECTION	ASSY. NO.	DATE

STOCK SIZE		THE TECHNICAL MATERIEL CORP. MAMARONECK, NEW YORK	
MATERIAL		FRONT PANEL, SUB ASSY	
TYPE & TEMPER	HEAT TREAT. SPEC.	FINISH & SPEC. NO.	
ELEC. DES. APP.		MECH. DES. APP.	
SHEET 1 OF 2		A-1017	





**NOTICE TO PERSONS RECEIVING THIS DRAWING**

THE TECHNICAL MATERIEL CORPORATION claims proprietary right in the material disclosed hereon. This drawing is issued in confidence for engineering information only and may not be reproduced or used to manufacture anything shown hereon without permission from THE TECHNICAL MATERIEL CORPORATION to the user. This drawing is loaned for mutual assistance and is subject to recall at any time.

Property of:  
THE TECHNICAL MATERIEL CORPORATION  
MAMARONECK, NEW YORK

REQ. ITEM	PART NO.	DESCRIPTION	SYMBOL
7	SCFP0832BN8	SCREW, MACHINE - PHILLIPS	
1	MP-107-1	KNOB, INSTRUMENT	
4	FS-106-7	STUD, WING HEAD	
1	HB-101-2	BUTTON, PLUG	
1	MP-102-2	KNOB, INSTRUMENT	
1	MP-100-4	KNOB, INSTRUMENT PHILLIPS	
1	MS-596	PANEL, FRONT	LD-209

REQ. PER UNIT	MODEL	SECTION	ASS'Y. NO.	DATE	USED ON
1	VOX-6			3-7-62	
1	VOX-5			3-7-62	
1	VOX-1			5-26-55	

MATERIAL		FINISH & SPEC. NO.		ELEC. DES. APP.		MECH. DES. APP.		SHEET 2 OF 2	
STOCK SIZE		FRONT PANEL		G.SENCEN		A-1017		A	
SUB ASS'Y. (MOTOR DRIVEN VOX)		DRAWN		CHECKED		FINAL APPROVAL			

BYM	ZONE	DESCRIPTION	DATE	CH. NO.	DRAFTS	CHECKER	ENG. APP.
A		SEE SHEET 1 FOR REVISION 'A'	6-25-62	6470	WAF		

UNLESS OTHERWISE SPECIFIED: SCALE DO NOT SCALE

DIMENSIONS ARE IN INCHES  
TOLERANCES ON FRACTIONS ± 1/64 DECIMALS ± .005 ANGLES ± 1/2°

MAXIMUM ALLOWABLE TOLERANCES HAVE BEEN DETERMINED AND ANY DEVIATIONS WILL BE CAUSE FOR REJECTION. REMOVE ALL BURRS & SHARP EDGES