

IF IT IS FOUND DESIRABLE TO CHANGE ANY TOLERANCE OR OTHER DETAIL SPECIFIED ON THIS DRAWING NOTIFY THE PURCHASER PROMPTLY.

MAXIMUM ALLOWABLE TOLERANCES HAVE BEEN DETERMINED AND DEVIATIONS WILL BE CAUSE FOR REJECTION. REMOVE ALL BURRS AND SHARP EDGES

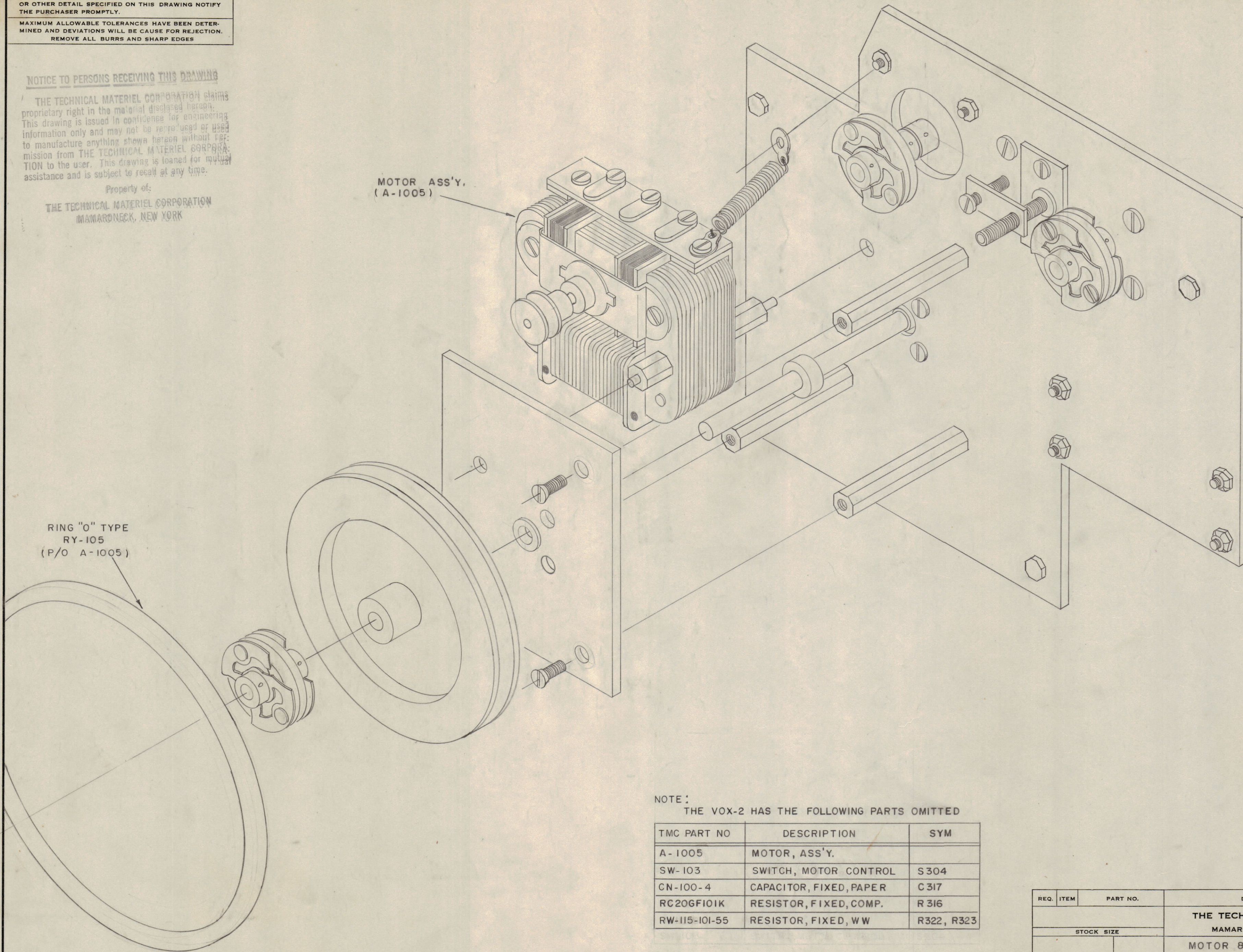
**NOTICE TO PERSONS RECEIVING THIS DRAWING**

THE TECHNICAL MATERIEL CORPORATION claims proprietary right in the material disclosed herein. This drawing is issued in confidence for engineering information only and may not be re-used or used to manufacture anything shown herein without permission from THE TECHNICAL MATERIEL CORPORATION to the user. This drawing is loaned for mutual assistance and is subject to recall at any time.

Property of:  
THE TECHNICAL MATERIEL CORPORATION  
MAMARONECK, NEW YORK

MOTOR ASS'Y.  
(A-1005)

RING "O" TYPE  
RY-105  
(P/O A-1005)



A - 1009

NOTE:  
THE VOX-2 HAS THE FOLLOWING PARTS OMITTED

TMC PART NO	DESCRIPTION	SYM
A-1005	MOTOR, ASS'Y.	
SW-103	SWITCH, MOTOR CONTROL	S304
CN-100-4	CAPACITOR, FIXED, PAPER	C317
RC20GF101K	RESISTOR, FIXED, COMP.	R316
RW-115-101-55	RESISTOR, FIXED, WW	R322, R323

REQ. ITEM	PART NO.	DESCRIPTION	SYMBOL
<b>THE TECHNICAL MATERIEL CORP.</b> MAMARONECK, NEW YORK			
<b>MOTOR &amp; DRIVE ASSEMBLY</b>			
<b>MODELS VOX</b>			
STOCK SIZE			
MATERIAL		WEIGHT PER PC.	
TYPE & TEMPER		DRAWN: <i>JAD a 5/6/55</i>	
HEAT TREAT. SPEC.		ELEC. DES. APP. <i>WOC</i>	
FINISH & SPEC. NO.		MECH. DES. APP. <i>A.J.J.</i>	
		CHECKED: <i>A.J.J.</i>	
		FINAL APPROVAL	
		A - 1009	

ISSUE	ITEM	CHANGED FROM	DATE	CN. NO.	DRAFTS	CHECKER	ENG. APP.
TOLERANCES				SCALE:			
ALL OTHERS	DEC. DIM. ±	FRAC. DIM. ±	ANGULAR DIM. ±	DRILL, PUNCH, COMMERCIAL STOCK SIZES AND MANUFACTURERS TOLERANCES ARE NOT INCLUDED.			

MODEL	PROJECT NO.	ASS'Y. NO.	DATE
USED ON			