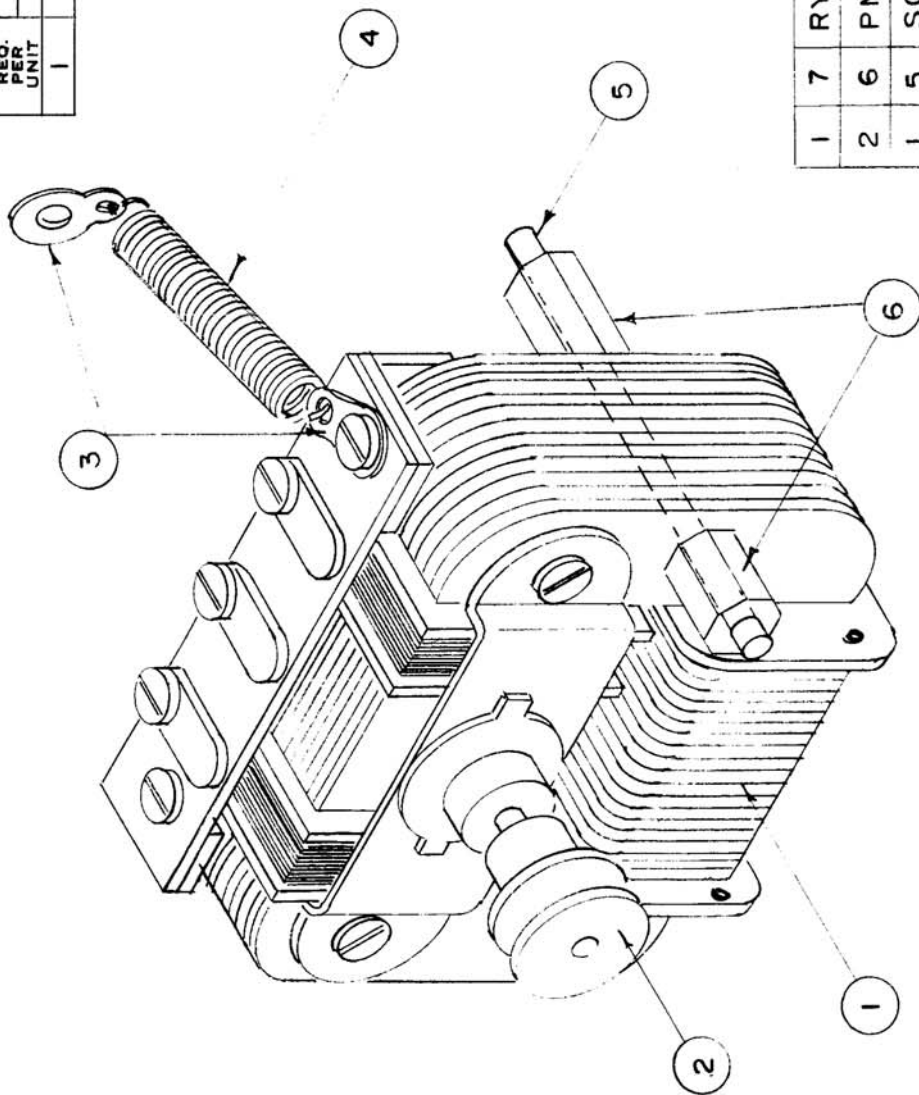


REQ. PER UNIT	MODEL	USED ON
1	VOX	ASSY. NO.
		DATE
		5-9-55
		A-1005

NOTE:  
RY-105 RING "O" TYPE  
IS PART OF MOTOR ASSY. A-10C5



1	7	RY-105	RING "O" TYPE
2	6	PM-195	STUD, PULLEY
1	5	SC-113	STUD, MOTOR
1	4	SP-115	SPRING, MOTOR SUPPORT
2	3	TE-110-3	LUG-SOLDER
1	2	PM-194	MOTOR PULLEY
1	1	MO-100	MOTOR, REVERSIBLE

REQ. ITEM	PART NO.	DESCRIPTION	SYMBOL
STOCK SIZE			
MATERIAL			
VOX			
THE TECHNICAL MATERIEL CORP. MAMARONECK, NEW YORK			
MOTOR ASSEMBLY			
VOX			
TYPE & TEMPER.	HEAT TREAT. SPEC.	DRAWN	CHECKED
		JAD 5/16/55	CSST 9/10
FINISH & SPEC. NO.		ELEC. DES. APP. MECH. DES. APP.	
		A-1005	

ISSUE ITEM	CHANGED FROM	DATE	CH. NO.	DRAFTS	CHECKER	ENG. APP.
TOLERANCES						
SCALE:						
MAXIMUM ALLOWABLE TOLERANCES HAVE BEEN DETERMINED AND ANY DEVIATIONS WILL BE CAUSE FOR REJECTION. REMOVE ALL BURRS AND SHARP EDGES						
DEC. DIM. ±						
FRAC. DIM. ±						
ANGULAR DIM. ±						