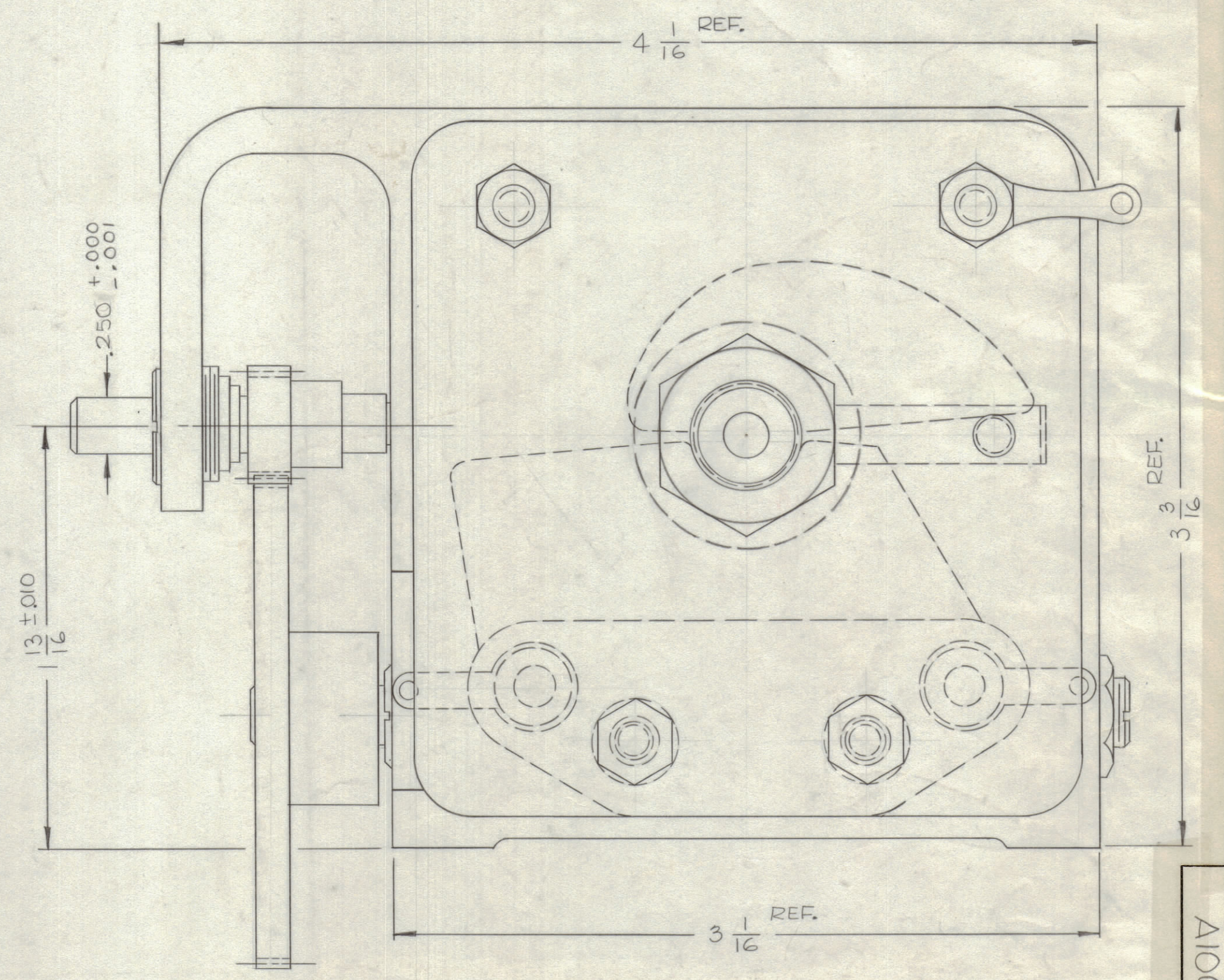
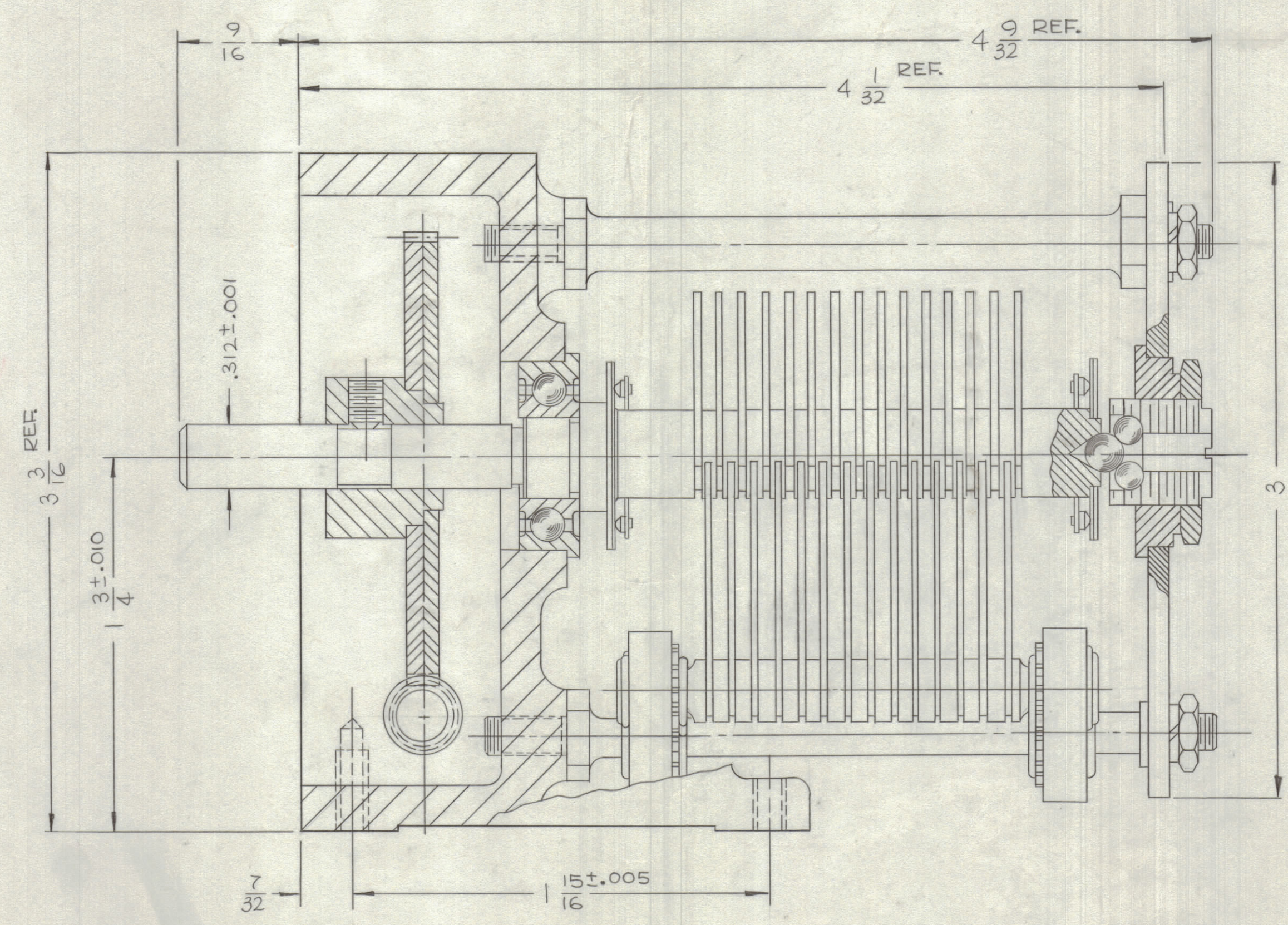
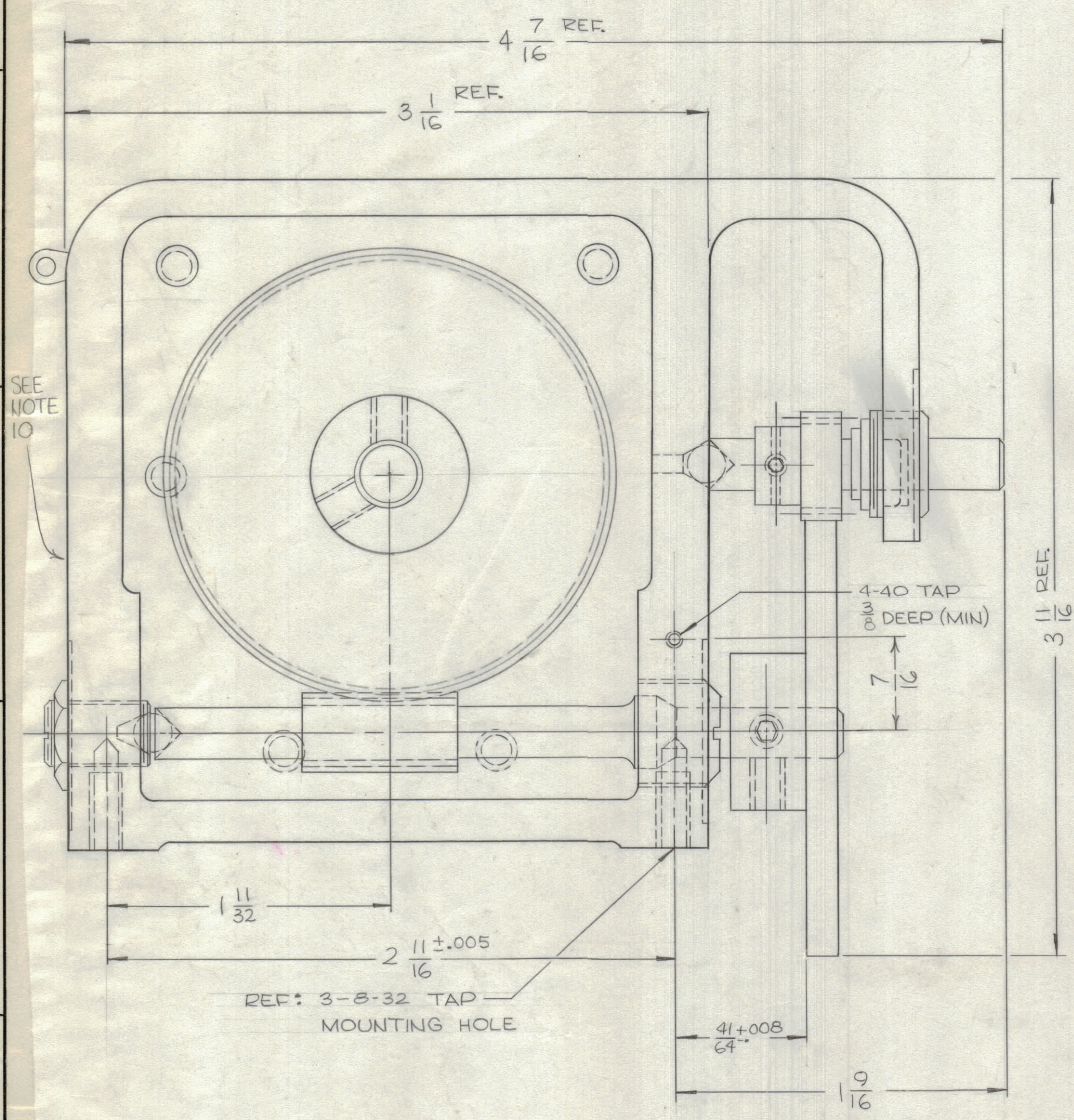


REVISIONS							
ZONE	SYM	DESCRIPTION	DATE	E.M.N. NO.	DRAFT	CHKD	APPD
A		SEE SHEET 1 OF 2	5/25/66	4705	WHD		
B		SEE SHEET 1 OF 2	5/25/66	6470	WHD		
C		SEE SHEET 1 OF 2	5/25/66	10059	WHD		
D		DWG MADE 2 OF 2	5/25/66	16277	WHD		



- NOTES:
- AIR GAP: .030 NOMINAL
 - VOLTAGE TEST: 750 V RMS 60 CYCLES
 - CAPACITY: EFFECTIVE BETWEEN 0 & 210 PINION SHAFT TURNS; PINION SHAFT TURNS AT FULL MESH POSITION OF PLATES IS 0. SEE CAPACITY CURVE CHART
 - ROTATION: C.W. ROTATION OF PINION SHAFT TO INCREASE CAPACITY
 - GEAR RATIO: WORM DRIVE GEAR TO PINION GEAR - 100:22; ROTOR DRIVE GEAR TO WORM - 100:1; OVERALL DRIVE TRAIN - 454.545:1
 - TORQUE: TO OVER COME ANTI-BACKLASH SPRINGS OF ROTOR DRIVE GEAR - 40 INCH OUNCE NOMINAL OVERALL PINION SHAFT DRIVE 2.5 INCH OUNCES OR LESS

- CONSTRUCTION:
- HOUSING: STAINLESS STEEL CASTING
 - ROTOR SHAFTS & STATOR RODS: COLD DRAWN STEEL
 - FRAME PARTS: STEEL WITH SILVER OR NICKEL PLATE FINISH
 - ROTOR & STATOR: SOLDERED ASSEMBLIES OF STEEL COMPONENTS SILVER PLATED, PLATES OF INVAR
 - GEARS: PINION SHAFT, PINION GEAR & WORM GEAR OF STAINLESS STEEL; ANTI-BACKLASH GEARS OF BRONZE
 - CONTACT SPRINGS: SILVER PLATED BERYLLIUM COPPER WITH SILVER BUTTONS AGAINST COIN SILVER FACED ROTOR CONTACT DISCS
 - HARDWARE: STEEL OR COPPER ALLOY WITH CADMIUM OR NICKEL PLATE FINISH
 - INSULATION: STEATITE OR GR. L-4 OR BETTER PER JAN-I-10 & D.C.-200 TREATED
 - LUBRICATION: TEXACO UNITEMP. PER MIL-G-3278
 - MARKING: STAMP TMC PART NUMBER 1/8" HIGH GOTHIC W/LATEST REVISION & MANUFACTURE CODE "S401-12"

CAPACITY CURVE		
CCW PINION TURNS FROM FULL MESH	NOMINAL CAPACITY P.F.	ΔC TOL. P.F. ±
210	0.00	
200	3.39	.15
180	11.09	.17
160	19.99	.30
140	30.28	.45
120	42.68	.64
100	57.62	.86
80	75.54	1.13
60	97.41	1.46
40	124.43	1.87
20	158.68	2.38
* 0	200.00	1.00

* FULL MESH
NOTE: MINIMUM CAPACITANCE 25.0 P F
MAX @ 210 TURNS FROM FULL MESH POSITION

REQ'D.	ITEM	PART NUMBER	DESCRIPTION	SYMBOL
1	VOX34,5,6			
1	RTF-2	MAS OSC		
1	RTF			
1	PMO-1/2	285		
1	VOX-5			

LIST OF MATERIAL			
THE TECHNICAL MATERIEL CORP. MAMARONECK, NEW YORK			
TITLE: CAPACITOR, OUTLINE			
SCALE: DO NOT SCALE	MODEL USED ON: S401-12	ABS'Y. NO.	
UNLESS OTHERWISE SPECIFIED DIMENSIONS ARE IN INCHES AND INCLUDE CHEMICALLY APPLIED OR PLATED FINISHES	DECIMALS: ±.05 XX ±.01 XXX ±.005	FRACTIONS: ± 1/64 ANGLES: ± 0° 30'	DRAWN: WHD CHECKED: CDD ELECT. DES.: WDC MECH. DES.: WDC
DATE: 5/25/66		FINAL APPROVAL: AJJ	DATE: 6/27/66
SHEET 2 OF 2		REV. LTR.: D	

NOTES