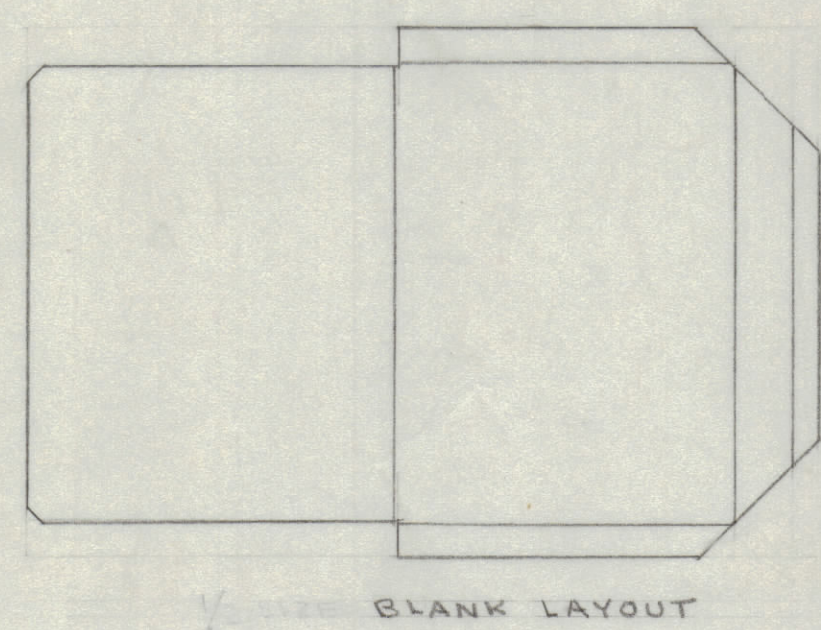
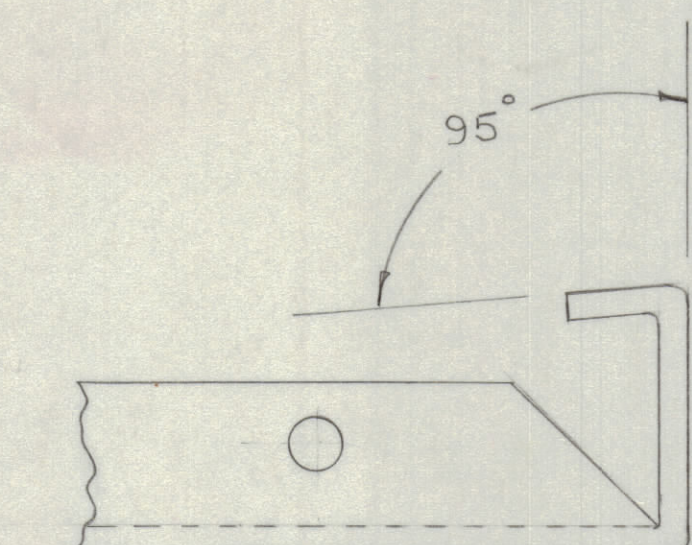
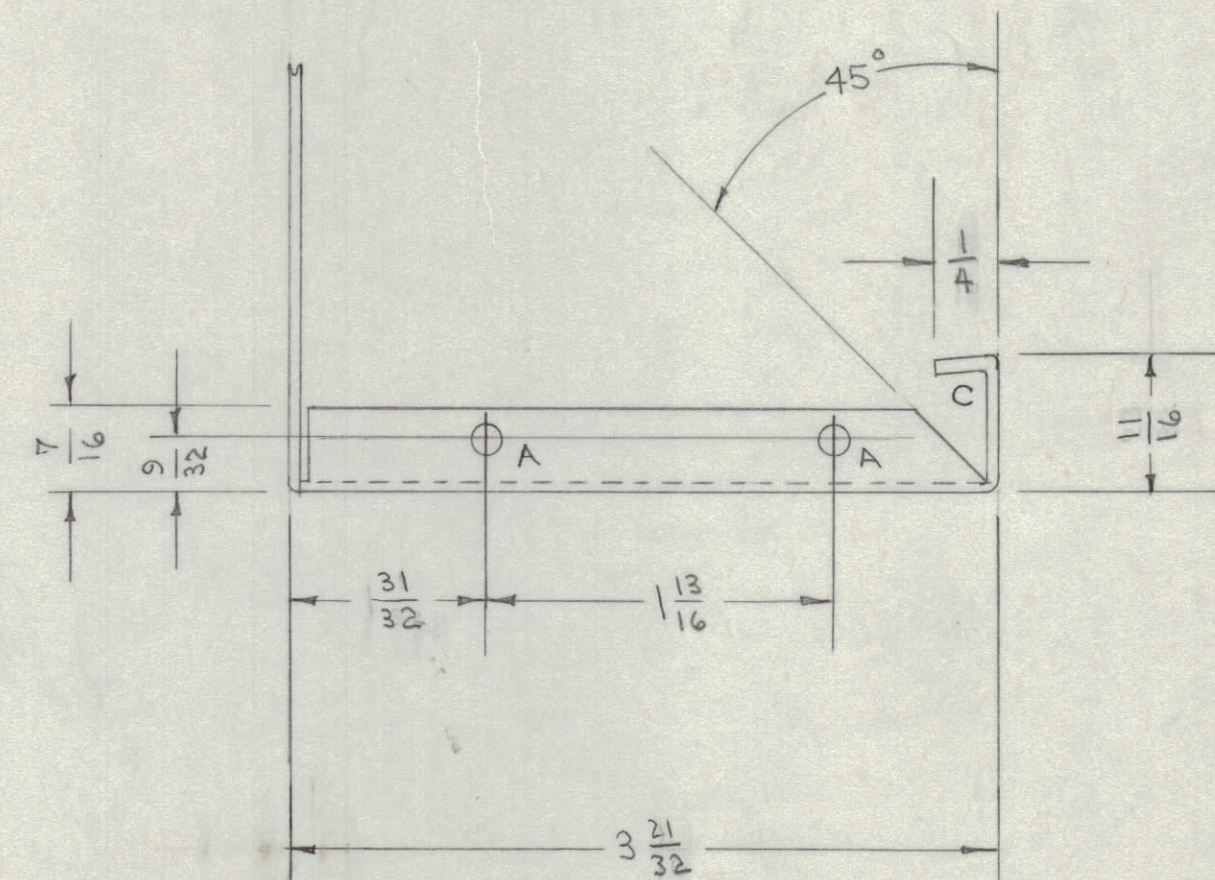


IF IT IS FOUND DESIRABLE TO CHANGE ANY TOLERANCE OR OTHER DETAIL SPECIFIED ON THIS DRAWING NOTIFY THE PURCHASER PROMPTLY.
 MAXIMUM ALLOWABLE TOLERANCES HAVE BEEN DETERMINED AND DEVIATIONS WILL BE CAUSE FOR REJECTION. REMOVE ALL BURRS AND SHARP EDGES

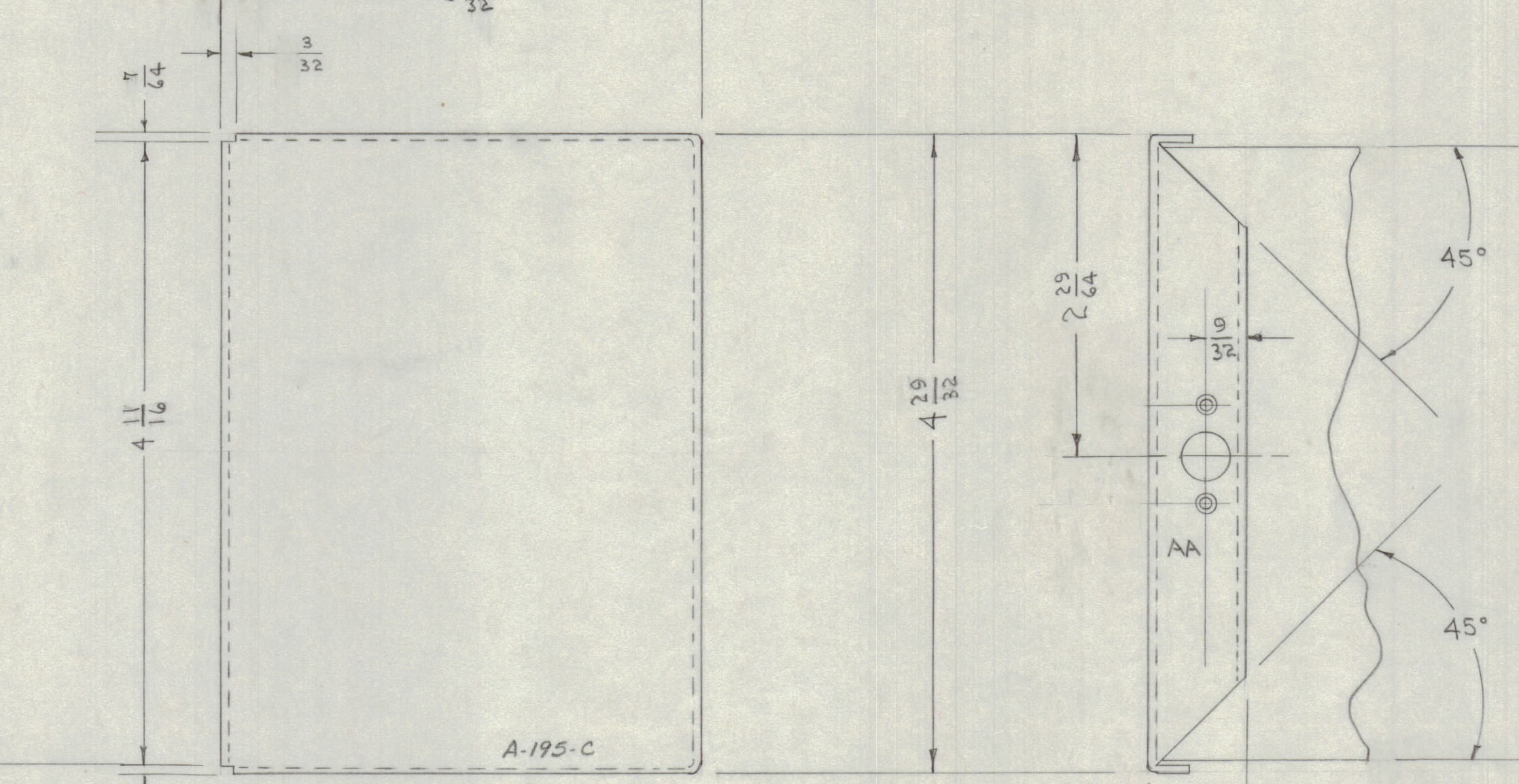
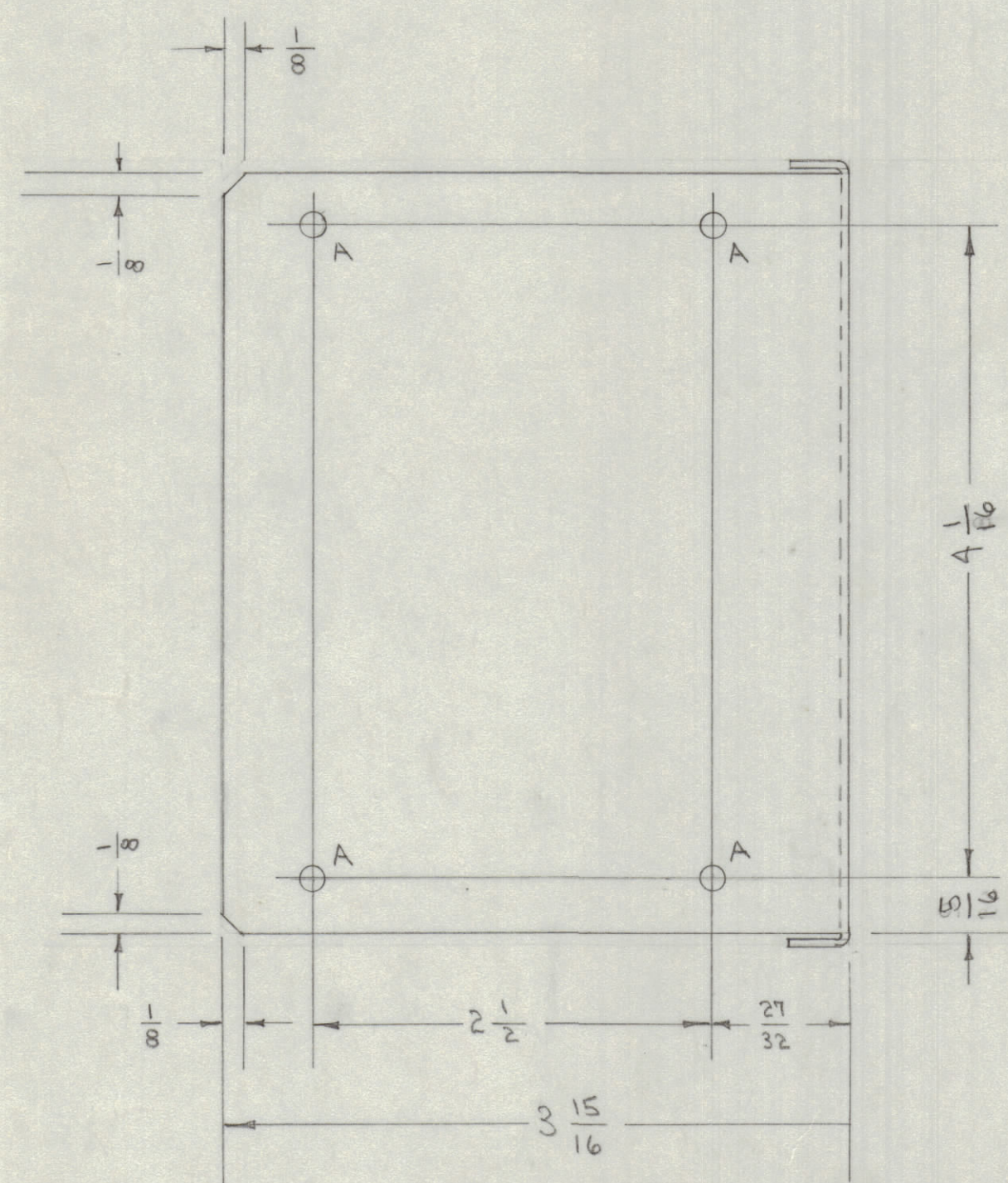
RELEASED



BLANK LAYOUT

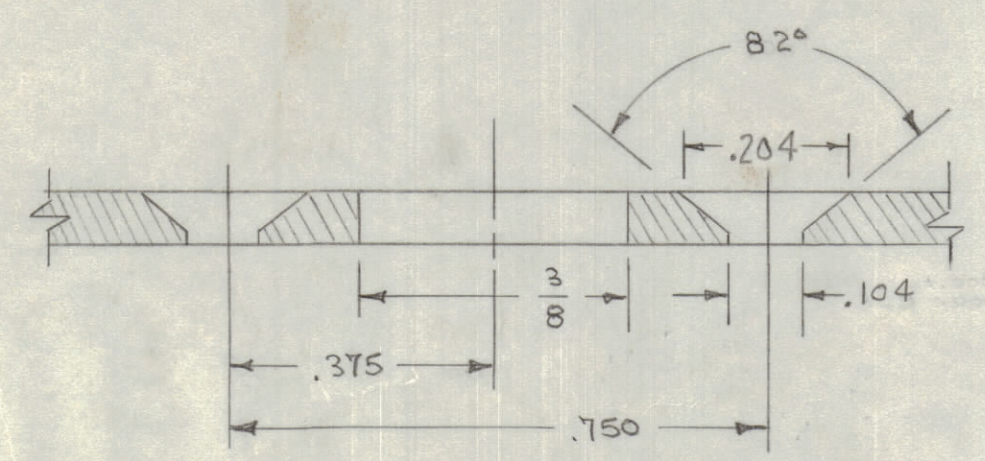
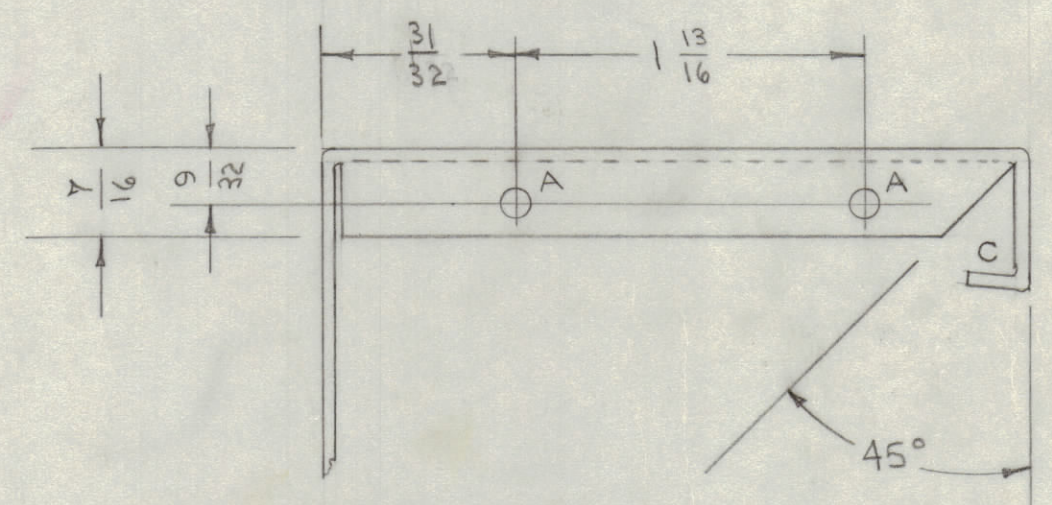
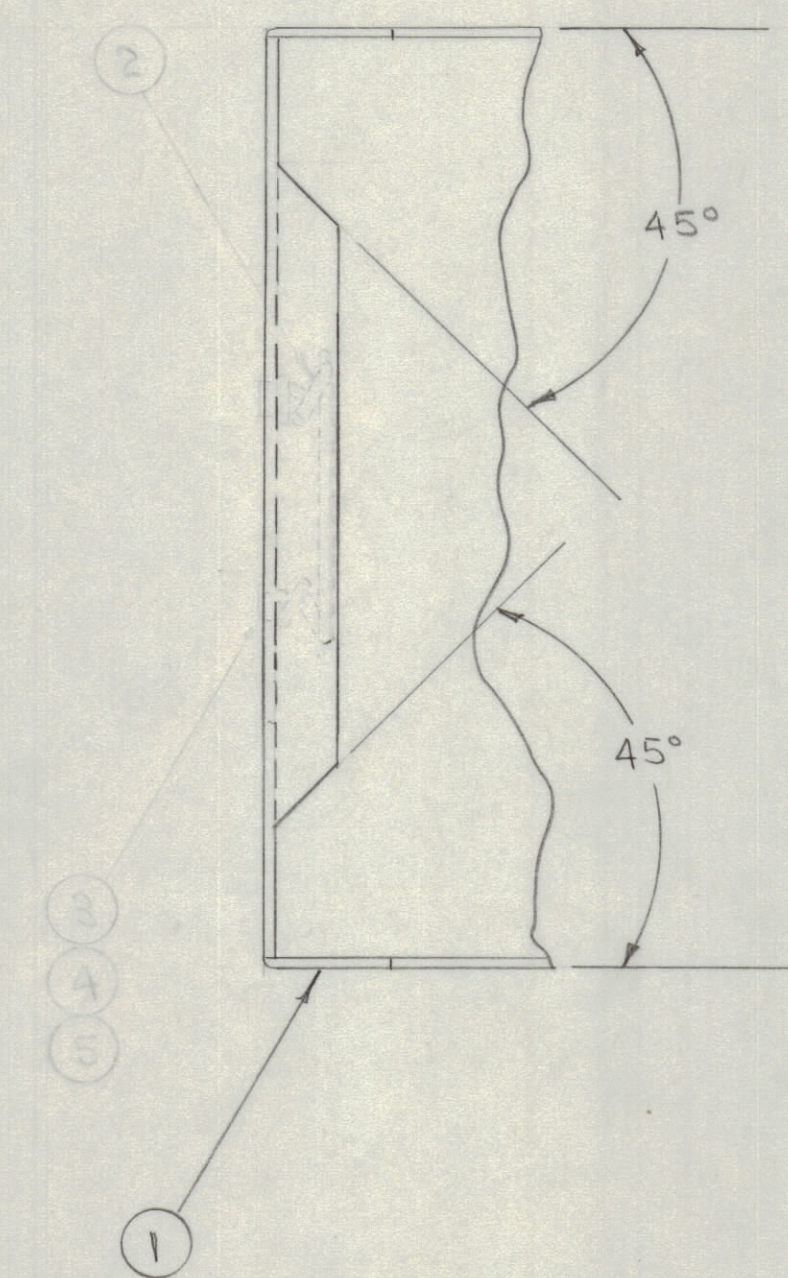


ENLARGED DETAIL ANGLE C



A-195-C

METAL STAMP TMC PART NO. 1/8 HIGH, GOTHIC



DETAIL AA REQUIRED FOR 3-48 FLAT HEAD SCREW

A - 5/32 D. (.156). 8 HOLES REQUIRED
 ALL BENDS 90° EXCEPT AS SHOWN
 ALL INSIDE RADII 1/16

NOTICE TO PERSONS RECEIVING THIS DRAWING
 THE TECHNICAL MATERIEL CORPORATION claims proprietary right in the material disclosed herein. This drawing is issued in confidence for engineering information only and may not be reproduced or used to manufacture anything shown hereon without permission from THE TECHNICAL MATERIEL CORPORATION to the user. This drawing is loaned for mutual assistance and is subject to recall at any time.
 Property of:
 THE TECHNICAL MATERIEL CORPORATION
 MAMARONECK, NEW YORK

ISSUE	ITEM	CHANGED FROM	DATE	CN. NO.	DRAFTS	CHECKER	ENG. APP.
C	1	DETAIL A-A SINCE WAS FOR 4-40	10-26-74				
	2	ITEM (5) WAS WITH #4-40, 2 REQ DELETED					
	3	ITEM (5) WAS WITH #4-40, 2 REQ DELETED					
	4	ITEM (2) WAS SCREW #4-40, 2 REQ DELETED					
	5	ITEM (2) WAS FS-107, 1 REQ DELETED					
B	1	501 PARTIAL WIP	4/7/54	1001	A.B.		EMN
A	1	.064 WAS .051	4/14/53	1	C.D.D.		

REQ. ITEM	PART NO.	DESCRIPTION	SYMBOL
5		DELETED	
4		DELETED	
3		DELETED	
2		DELETED	
1	MS-139	COVER, XTAL OVEN (NO DRAWING)	
.064		THE TECHNICAL MATERIEL CORP. MAMARONECK, NEW YORK	
ALUMINUM		COVER, XTAL OVEN SUB ASSEMBLY	
525 H32		C.D.D. 9-15-57	
TYPE & TEMPER		DRAWN	
#		ELEC. DES. APP.	
HEAT TREAT. SPEC.		MECH. DES. APP.	
S404 TRITE		CHECKED	
FINISH & SPEC. NO.		SUPERCEDES	
		BMS-033A	
		FINAL APPROVAL	
		A-195 C	

LFA	109	A-195	9-20-57
MODEL	PROJECT NO.	ASSY. NO.	DATE
USED ON			

A-195 C