

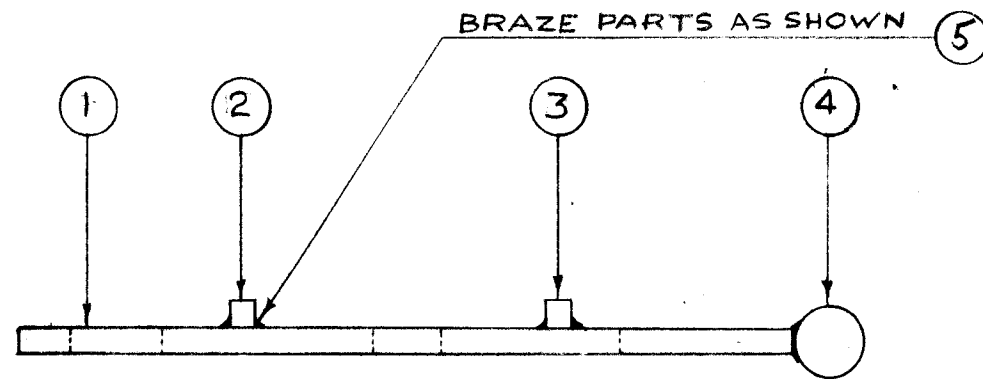
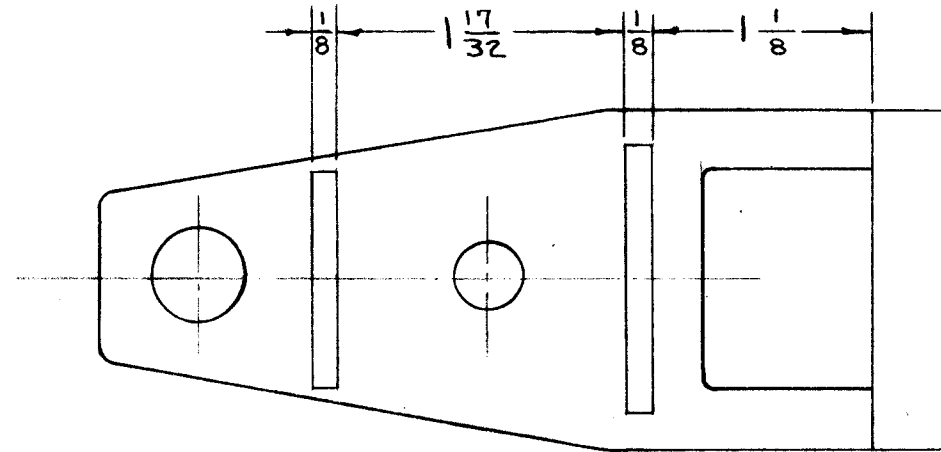
IF IT IS FOUND DESIRABLE TO CHANGE ANY TOLERANCE OR OTHER DETAIL SPECIFIED ON THIS DRAWING NOTIFY THE PURCHASER PROMPTLY.

MAXIMUM ALLOWABLE TOLERANCES HAVE BEEN DETERMINED AND DEVIATIONS WILL BE CAUSE FOR REJECTION. REMOVE ALL BURRS AND SHARP EDGES

RELEASED

A

A-186



REQ.	ITEM	PART NO.	DESCRIPTION	SYMBOL
x	5	BS-101-1	SOLDER, SILVER	
1	4	PM-131	CONTACT	
1	3	PM-132	BAR	
1	2	PM-133	BAR	
1	1	MS-153	ARM, CONTACT	
			THE TECHNICAL MATERIEL CORP.	
			MAMARONECK. NEW YORK	
			ASSEMBLY, CONTACT ARM	
			FITTING "B"	
			10-8-52	
			10-9-52	
			CHECKED	FINAL APPROVAL
			A-186	A

ISSUE	ITEM	CHANGED FROM	DATE	CN. NO.	DRAFTS	CHECKER	ENG. APP.
A	1	1/2 to 17/32	12-10-52	1	JAG	VS	#

TOLERANCES	SCALE:
ALL OTHERS DEC. DIM. ± FRAC. DIM. ± ANGULAR DIM. ±	DRILL, PUNCH, COMMERCIAL STOCK SIZES AND MANUFACTURERS TOLERANCES ARE NOT INCLUDED.

MODEL	PROJECT NO.	ASS'Y. NO.	DATE
	141	A-187	10-8-52

USED ON