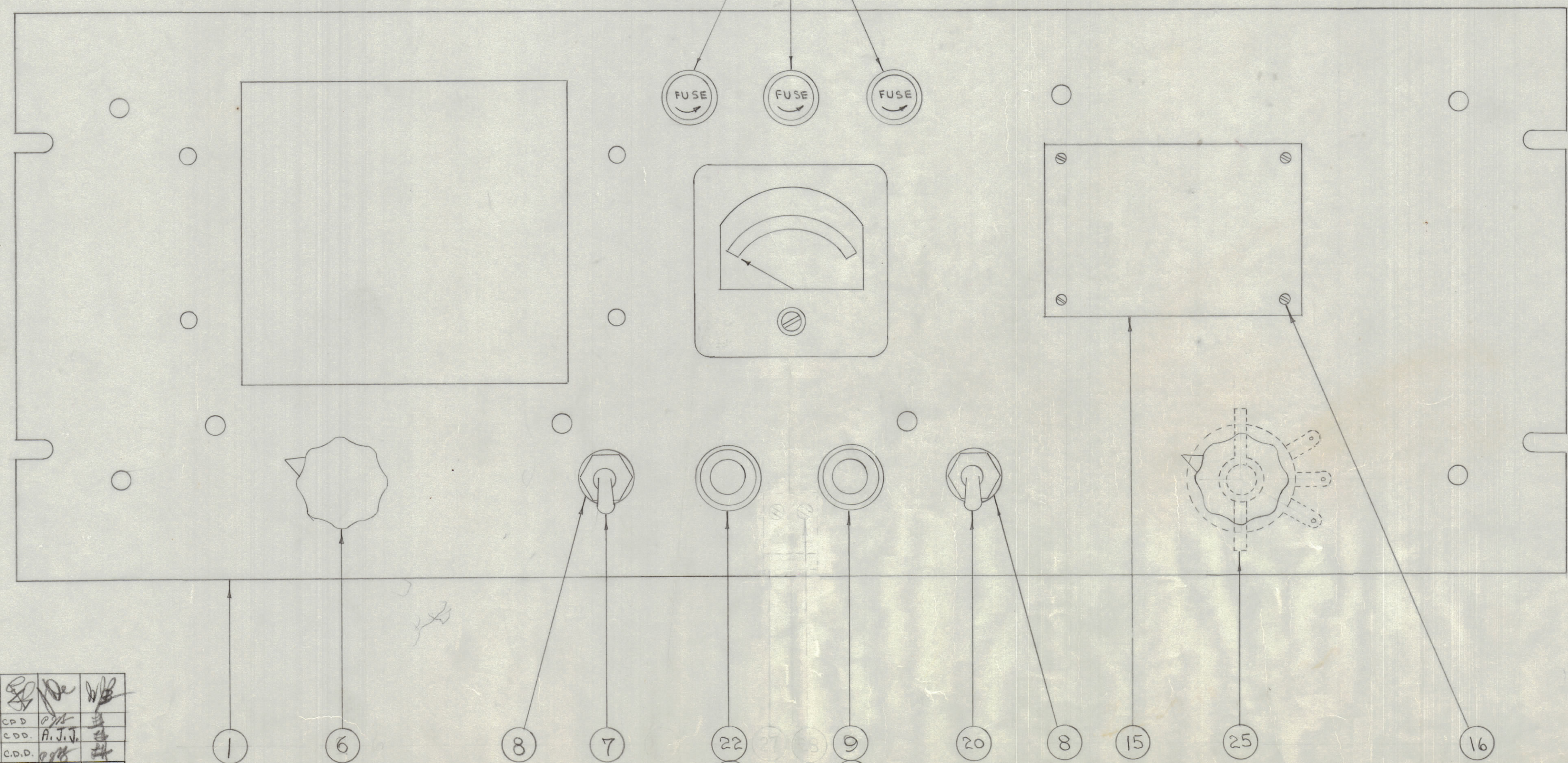
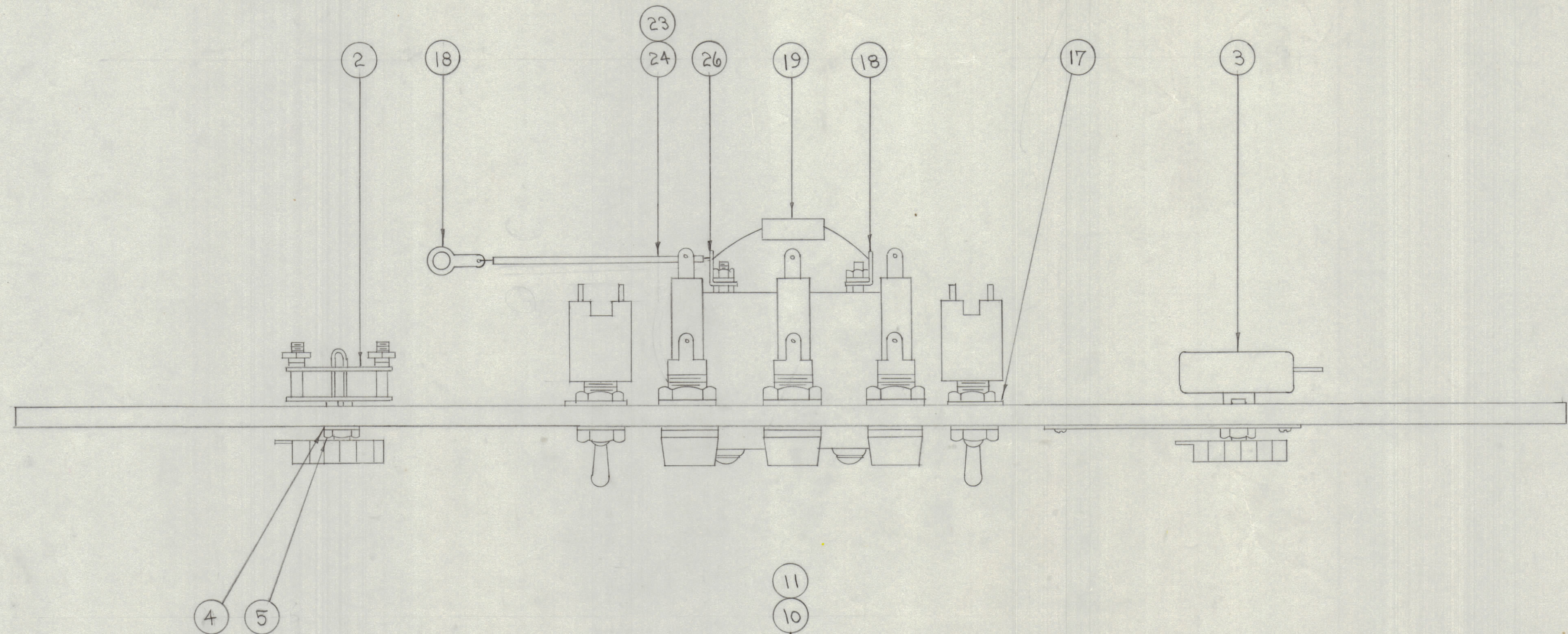


IF IT IS FOUND DESIRABLE TO CHANGE ANY TOLERANCE OR OTHER DETAIL SPECIFIED ON THIS DRAWING NOTIFY THE PURCHASER PROMPTLY.  
 MAXIMUM ALLOWABLE TOLERANCES HAVE BEEN DETERMINED AND DEVIATIONS WILL BE CAUSE FOR REJECTION. REMOVE ALL BURRS AND SHARP EDGES.

RELEASED



REQ. ITEM	PART NO.	DESCRIPTION	SYMBOL
<del>X</del> 30	<del>---</del>	<del>DELETED</del> RASIONAL	
<del>X</del> 29	<del>---</del>	<del>DELETED</del> WASHER, FLAT	
<del>X</del> 28	<del>---</del>	<del>DELETED</del> WASHING	
<del>X</del> 27	<del>---</del>	<del>DELETED</del> ANGLE	
X 26	BS-100	SOLDER, SOFT	
2	TE-111-2	LUG, SOLDER	
2"	FX-104-1-.034	INSULATION, SLEEVING, (BLACK)	
3"	WL-100-1	WIRE, BUSS BAR	
1	TS-106-2	SOCKET, LENS (WHITE)	
1	LD-121	ENGRAVING, FRONT PANEL	
1	ST-22-K	SWITCH, TOGGLE	
1	CM35A103K	CAPACITOR, FIXED	
3	TE-104-3	TERMINAL, LOCKING	
2	WA-100	RING, LOCKING	
4	SC-102-1	SCREW, THREAD CUTTING	
1	NP-103-13	PLATE, NAME	
1	MR-100-1	METER, PANEL	
1	BI-101-47	LAMP, INCANDESCENT	
1	BI-100-51	LAMP, NEON	
3	FU-100-3	FUSE	
3	FH-100-2	POST, FUSE EXTRACTOR	
1	TS-106-1	SOCKET, LENS (RED)	
2	LWI50LRC	WASHER, LOCK	
1	ST-12-A	SWITCH, TOGGLE	
2	MP-100-4	KNOB, INSTRUMENT TYPE	
2	NTH3732BN16	NUT, HEXAGONAL	
2	LWI37LSC	WASHER, LOCK	
1	RV4ATFE152A	RESISTOR, VARIABLE	
1	SW-105	SWITCH, OAK TYPE	
1	MS-133	PANEL, FRONT	

NOTICE TO PERSONS RECEIVING THIS DRAWING

THE TECHNICAL MATERIEL CORPORATION claims proprietary right in the material disclosed hereon. This drawing is issued in confidence for engineering information only and may not be reproduced or used to manufacture anything shown hereon without permission from THE TECHNICAL MATERIEL CORPORATION to the user. This drawing is loaned for mutual assistance and is subject to recall at any time.

Property of:  
 THE TECHNICAL MATERIEL CORPORATION  
 MAMARONECK, NEW YORK

ISSUE	ITEM	CHANGED FROM	DATE	CN. NO.	DRAFTS	CHECKER	ENG. APP.
C	1	ITEM (2) NTH3732BN16 DELETED	10-26-52	1A2			
	2	ITEM (2) LWS44MPC-2224 DELETED	10-26-52				
	3	ITEM (2) SCFS0440BMS-2224 DELETED					
	4	ITEM (2) NTH3732BN16 DELETED					
B	3	WAS RV4ATFE152A	11-10-52		C.D.D.		
A	2	WAS RV4ATFE152A	11-10-52		C.D.D.		
A	1	ITEMS 27/28/30 ADDED	10/25/52		C.D.D.		

LFA	109	A-183	10-22-52
MODEL	PROJECT NO.	ASSY. NO.	DATE
USED ON			

THE TECHNICAL MATERIEL CORP. MAMARONECK, NEW YORK			
STOCK SIZE			
PANEL, FRONT			
SUB ASSEMBLY			
C.D.D. 10-22-52			
DRAWN		ELEC. DES. APP.	
M.H.S.			
HEAT TREAT. SPEC.		CHECKED	
		FINAL APPROVAL	
		A-182 C	

A-182 C