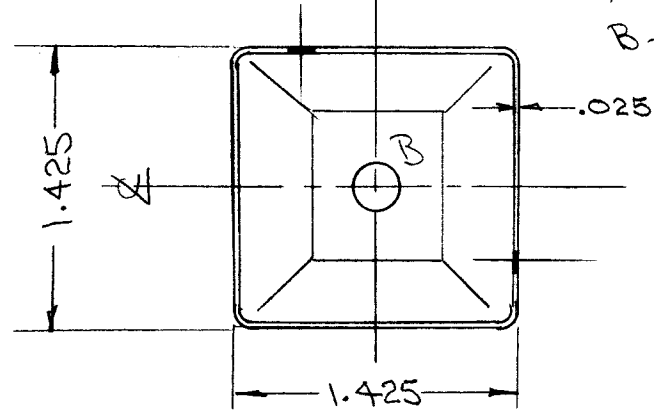
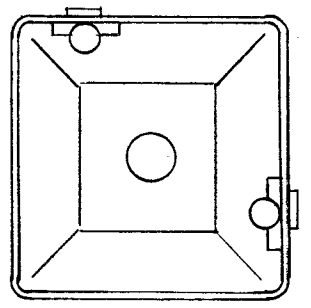
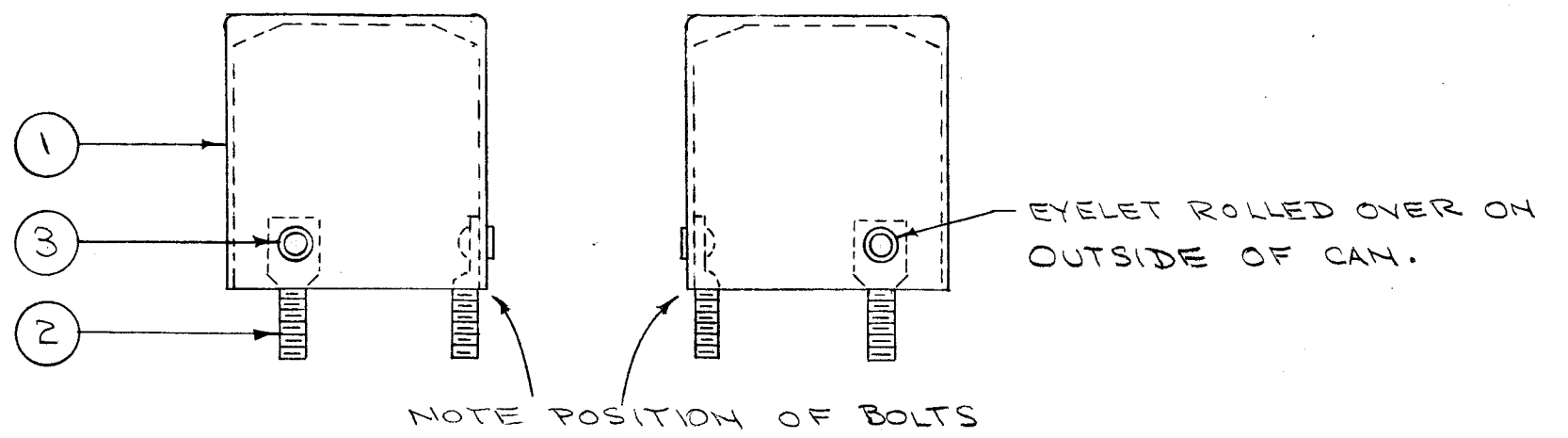


A - 1/8 (.125) D. 2 REQ.
 B - 1/4 (.250) D. 1 "



MODIFY FP-108-2 AS ABOVE
 (REF ALCOA)



REQ. ITEM	PART NO.	DESCRIPTION	SYMBOL
2	3	EY-100-1	EYELET, FLAT FLANGE
2	2	SC-107-1	SPADE BOLT
1	1	FP-108-2	CASE, (MODIFIED AS SHOWN)
STOCK SIZE		THE TECHNICAL MATERIEL CORP. MAMARONECK, NEW YORK	
MATERIAL		CASE ASSEMBLY	
TYPE & TEMPER		HEAT TREAT. SPEC.	DRAWN
FINISH & SPEC. NO.		ELEC. DES. APP.	MECH. DES. APP.

ISSUE	ITEM	CHANGED FROM	DATE	CH. NO.	DRAFTS	CHECKER	ENG. APP.
C	1	REDRAWN COMPLETE REVISION	8/14/52	3	edd	Wise	WZ

REQ. PER UNIT	MODEL	PROJECT NO.	ASS'Y. NO.	DATE
4	FFRD-5,6,7,8	104		12-8-52

TOLERANCES
 DEC. DIM. ±
 FRAC. DIM. ±
 ANGULAR DIM. ±

SCALE:
 MAXIMUM ALLOWABLE TOLERANCES HAVE BEEN DETERMINED AND ANY DEVIATIONS WILL BE CAUSE FOR REJECTION. REMOVE ALL BURRS AND SHARP EDGES