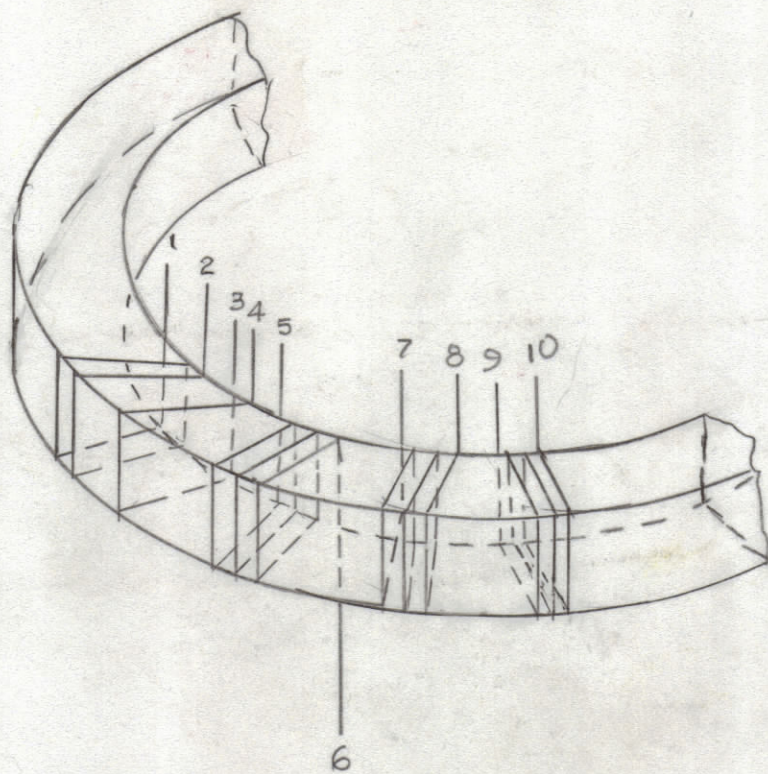
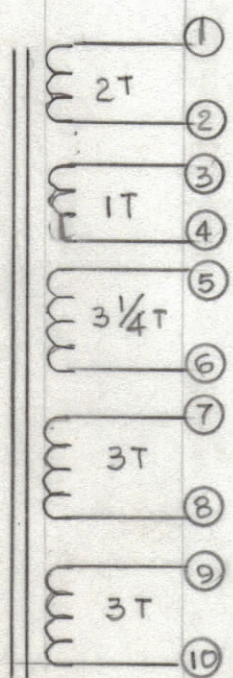
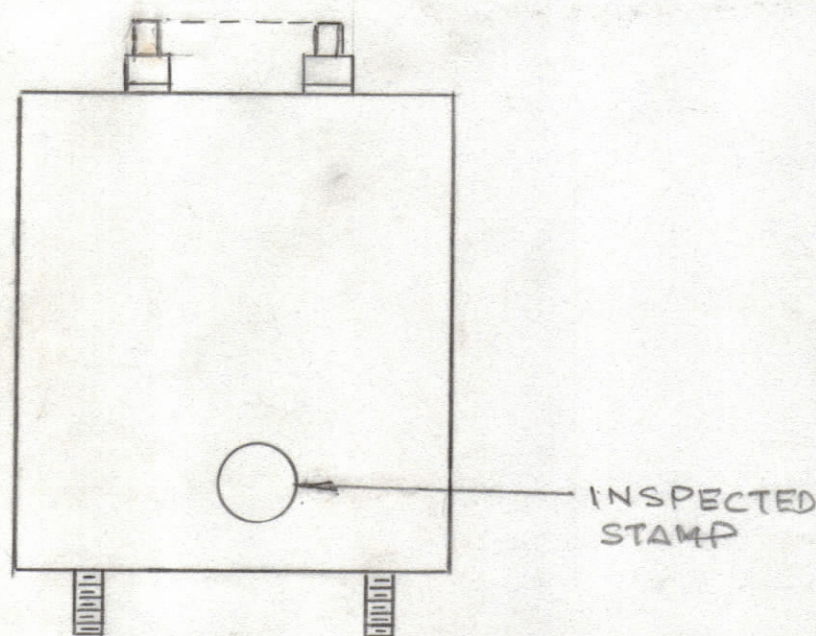
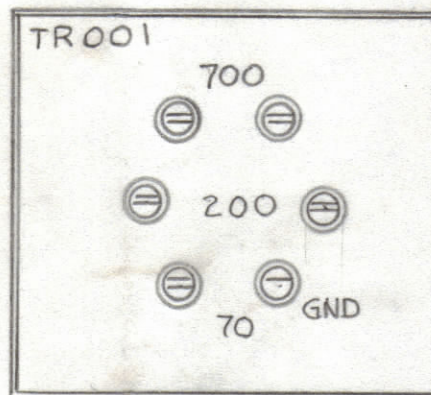


REVISIONS						
ZONE	LTR	DESCRIPTION	DATE	E.M.N.NO	DRAFT	CHKD APPD
	K	REDRAWN W/OUT CHANGE DWG MISSING	12-11-91		GDL	



1- WIND AS ABOVE (CLOSE WOUND TURNS)
 2- SLIP TOROID OVER ITEM 3. STRIP, TIN AND SOLDER CONNECT LEADS 6 & 7 AS SHOWN, ALL LEADS TO BE APPROX 2" LONG.

3- STRIP & TIN LEADS. MAKE SOLDER CONNECTIONS AS SHOWN. KEEP COIL AT LEAST 1/2" ABOVE COVER, USING CAPACITOR LEAD AS SUPPORT. NOTE RESISTOR ACCESS TO 2 TERMINALS.

4- TEST AS PER SPEC. S-133

5- SOLDER TERMINAL END IN PLACE.

6- FILL CAN TO WITHIN 1/4" OF TOP. (ITEM 6)

7- SOLDER STUD END IN PLACE.

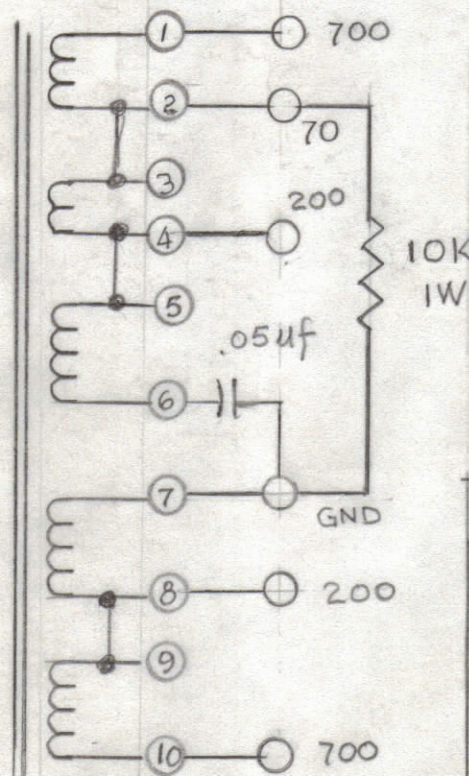
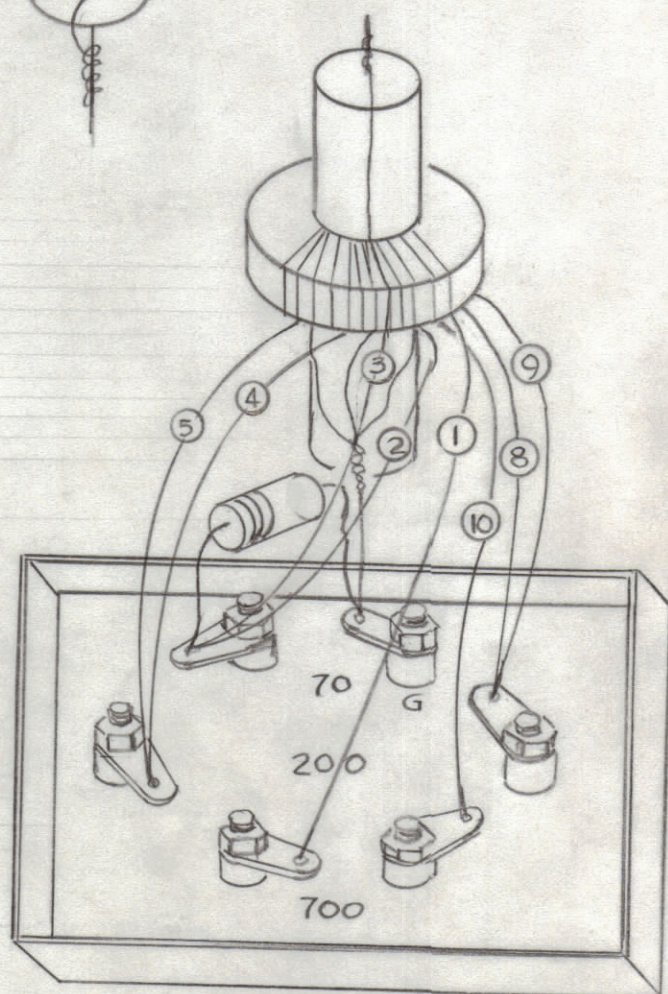
8- ALLOW TO COOL FOR 2 HOURS

9- TEST AS PER SPEC. S-133

10- SMOOTH SEAMS, APPLY S114 & S115 TO ALL SURFACES EXCEPT TERMINALS AND STUD END.

11- STAMP 1/8" HIGH BLACK GOTHIC AS SHOWN ON TO COVER.

12- STAMP TMC IN SIGNA ON SIDE



QTY. REQ.	ITEM	PART NO.	DESCRIPTION	SYMBOL
X	7	BS 100	SOLDER, SOFT	
X	6	GL 103	COMPOUND, POTTING	
1	5	RC 32 GF 103K	RESISTOR, FXD	
1	4	BX 107	CAN	
1	3	CN 100-3	CAPACITOR, FXD	
X	2	WI 102-9-9	WIRE, MAGNET	
1	1	CI 104	CORE, RING TYPE	

LIST OF MATERIAL

UNLESS OTHERWISE SPECIFIED DIMENSIONS ARE IN INCHES AND INCLUDE CHEMICALLY APPLIED OR PLATED FINISHES

TOLERANCES ON
 DECIMALS .X ± .05
 .XX ± .01
 .XXX ± .005
 FRACTIONS ± 1/64
 ANGLES ± 0° -30'

FINAL APPROVAL	DATE
MECH. DES.	DATE
ELECT. DES.	DATE
CHECKED	DATE
DRAWN	DATE

THE TECHNICAL MATERIEL CORP.
 MAMARONECK, NEW YORK

TRANSFORMER ASSY
 TR 001

QTY / UNIT	MODEL USED ON	ASS'Y NO.
APPLICATION		
CODE		

NOTICE TO PERSONS RECEIVING THIS DRAWING
 THE TECHNICAL MATERIEL CORPORATION claims proprietary right in the material disclosed herein. This drawing is issued in confidence for engineering information only and may not be reproduced or used to manufacture anything shown hereon without permission from THE TECHNICAL MATERIEL CORPORATION to the user. This drawing is loaned for mutual assistance and is subject to recall at any time.

SIZE	CODE	IDENT. NO.	DWG NO.	ISSUE
C	82679	A 142		K
SCALE	SHEET			OF