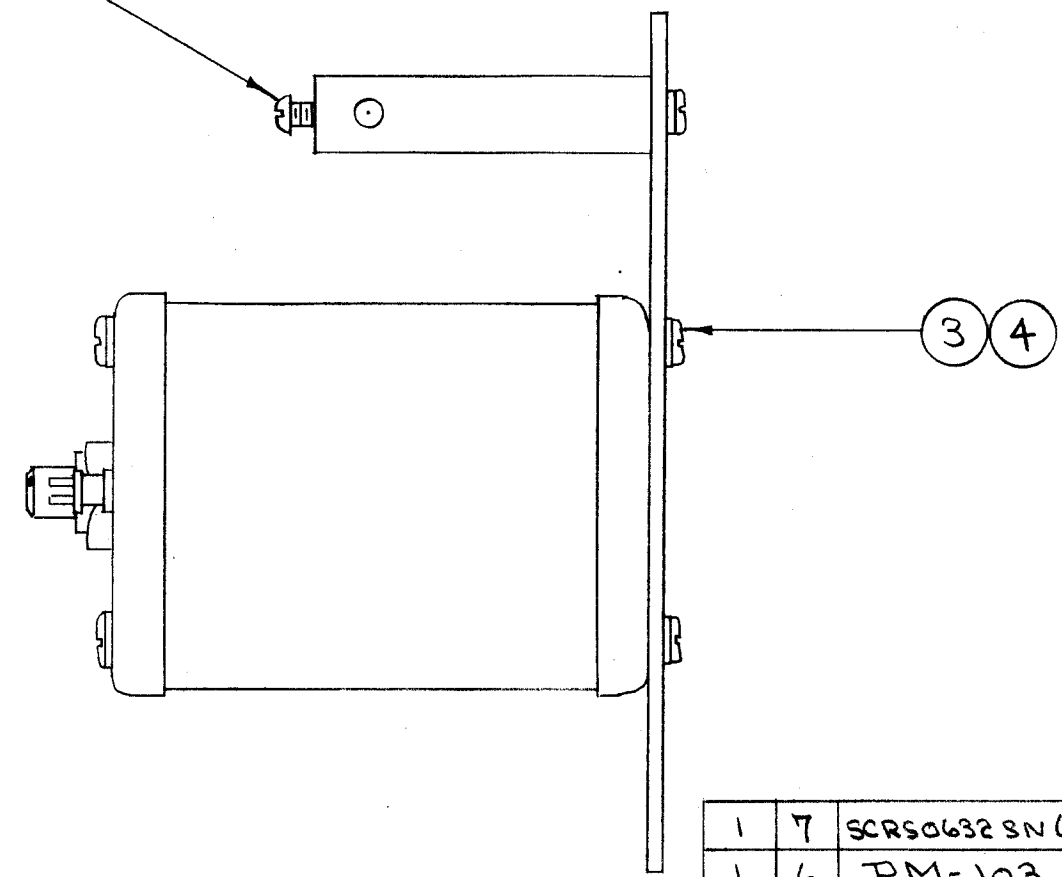
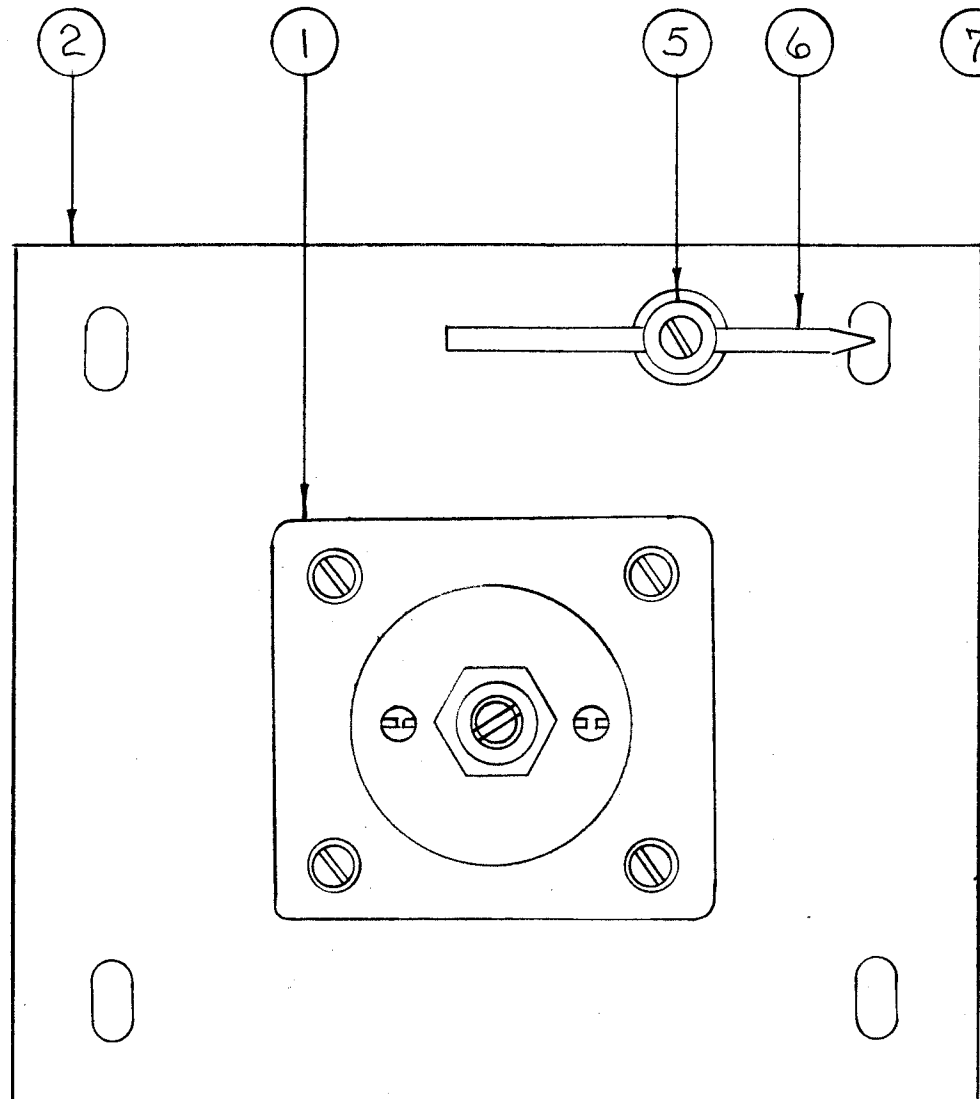


IF IT IS FOUND DESIRABLE TO CHANGE ANY TOLERANCE OR OTHER DETAIL SPECIFIED ON THIS DRAWING NOTIFY THE PURCHASER PROMPTLY.

MAXIMUM ALLOWABLE TOLERANCES HAVE BEEN DETERMINED AND DEVIATIONS WILL BE CAUSE FOR REJECTION. REMOVE ALL BURRS AND SHARP EDGES

A-117



REQ.	ITEM	PART NO.	DESCRIPTION	SYMBOL
1	7	SCRS0632SN6	SCREW, MACHINE	
1	6	PM-103	SPARK ROD	
1	5	PM-102	POST	
4	4	LWE06MRC	WASHER, LOCK	
4	3	SCBS0632BN6	SCREW, MACHINE	
1	2	MS-109	MOUNTING PLATE	
1	1	RR-101	RESISTOR	

REQ.	ITEM	PART NO.	DESCRIPTION	SYMBOL
#			THE TECHNICAL MATERIEL CORP. MAMARONECK. NEW YORK RESISTOR & PLATE SUB ASSEMBLY	
STOCK SIZE				
#	#			
MATERIAL			C.D.D. 3-24-53	
WEIGHT PER PC.			DRAWN	
#			ELEC. DES. APP.	
TYPE & TEMPER			MECH. DES. APP.	
#			CHECKED	
HEAT TREAT. SPEC.			FINAL APPROVAL	
#			A-117	
FINISH & SPEC. NO.				

ISSUE	ITEM	CHANGED FROM	DATE	CN. NO.	DRAFTS	CHECKER	ENG. APP.
#	#	REDRAWN - NO REVISION	3/23/53	-	ADD	JAD	Pg/8

TOLERANCES	SCALE: 4
ALL OTHERS	DRILL, PUNCH, COMMERCIAL STOCK SIZES AND MANUFACTURERS TOLERANCES ARE NOT INCLUDED.

BAC-A-S-500	153	A-233	9-6-52
BAC-A-S-20	108	A-109	7-23-52
MODEL	PROJECT NO.	ASS'Y. NO.	DATE

USED ON