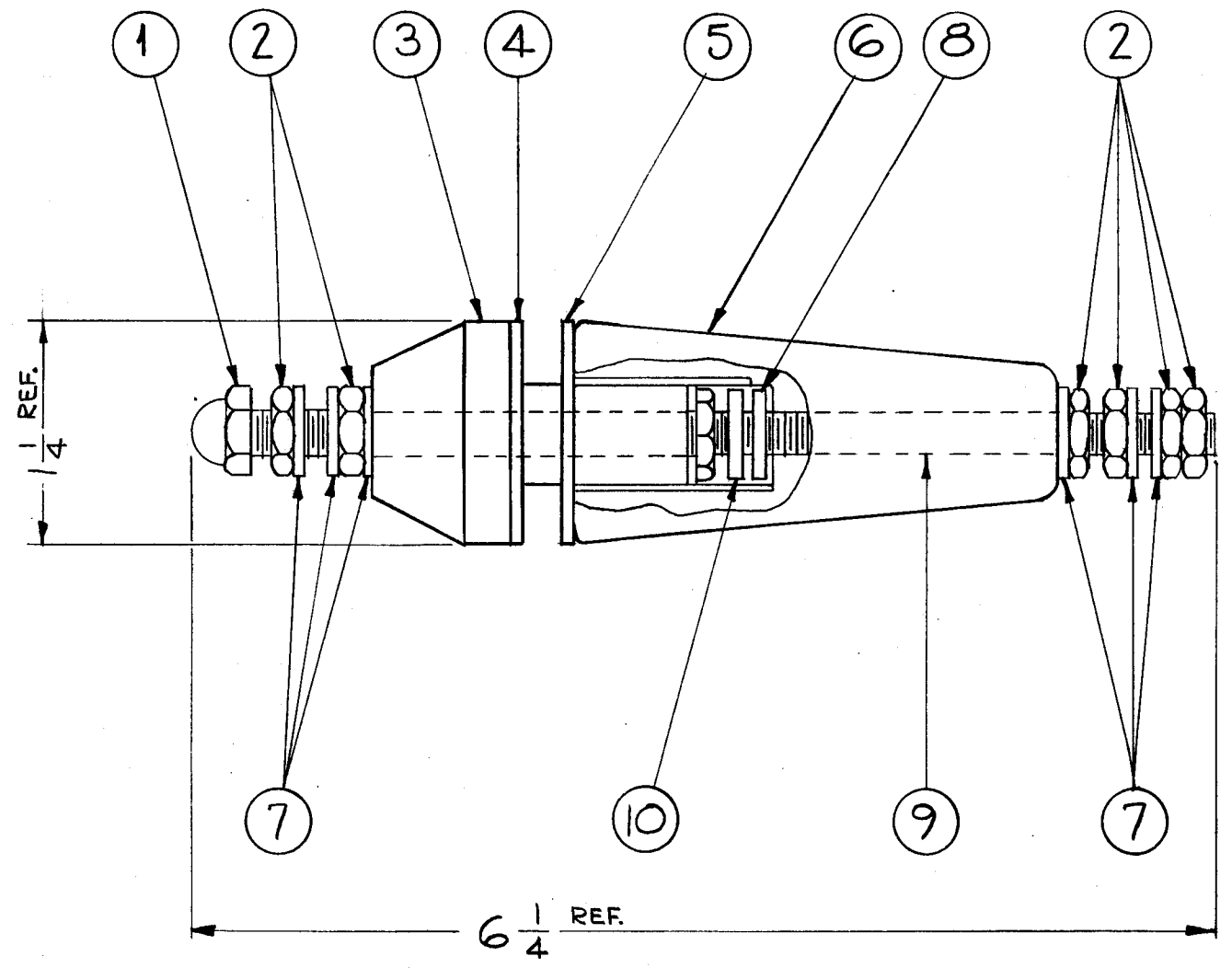


A-102

REVISIONS

SYM	DESCRIPTION	DATE	E.M.N. NO.	DRAFT	CHEK	APP
C	REDRAWN & REVISED (WITH CHANGES)	1-25-63	8058	<i>[initials]</i>	<i>[initials]</i>	<i>[initials]</i>
D	DELETED NOTE "FOR SPARE PARTS ONLY"	4-6-63	8785	<i>[initials]</i>	<i>[initials]</i>	<i>[initials]</i>
E	IT.10 WAS FW25LBN	8.6.64	12073	<i>[initials]</i>	<i>[initials]</i>	<i>[initials]</i>
F	NOTE ADDED	10/20/70	19239	GE	<i>[initials]</i>	<i>[initials]</i>



\* NOTE:

USE ITEM ONE ONLY WHERE AIR SPARK GAP IS REQUIRED.

SEQ'D.	ITEM	PART NUMBER	DESCRIPTION	SYMBOL
1	10	FW25HBN	WASHER, FLAT	
1	9	A-100	STUD ASSEMBLY	
1	8	GA-104	GASKET, NEOPRENE	
6	7	FW25HSS	WASHER, FLAT	
1	6	NS-100	INSULATOR	
1	5	GA-100	GASKET, NEOPRENE	
1	4	GA-101	GASKET, CORK	
1	3	NS-101	INSULATOR	
6	2	NTH2520SS14	NUT, HEX	
1	1	NTC2520BNL	CAP, NUT	

\*

PRITCHARD		LIST OF MATERIAL	
MATERIAL		THE TECHNICAL MATERIEL CORP. MAMARONECK, NEW YORK	
FINISH		TITLE INSULATOR ASSEMBLY	
UNLESS OTHERWISE SPECIFIED DIMENSIONS ARE IN INCHES AND INCLUDE CHEMICALLY APPLIED OR PLATED FINISHES		DRAWN <i>G. Lencan</i>	DATE 1-25-63
DECIMALS X ± .05 XX ± .01 XXX ± .005		CHECKED <i>[initials]</i>	DATE 2-14-63
FRACTIONS ± 1/64 ANGLES ± 0° 30'		ELECT. DES.	DATE
TOLERANCES		MECH. DES.	DATE
THE CONTENTS OF THIS DRAWING ARE THE EXCLUSIVE PROPERTY OF THE TECHNICAL MATERIEL CORP. ITS UNAUTHORIZED USE OR REPRODUCTION IN WHOLE OR IN PART IS STRICTLY FORBIDDEN.		FINAL APPROVAL <i>[signature]</i>	
SCALE FULL		A-102	
NOTES		SHEET	
		REV. LTR.	