

MX-1461/U

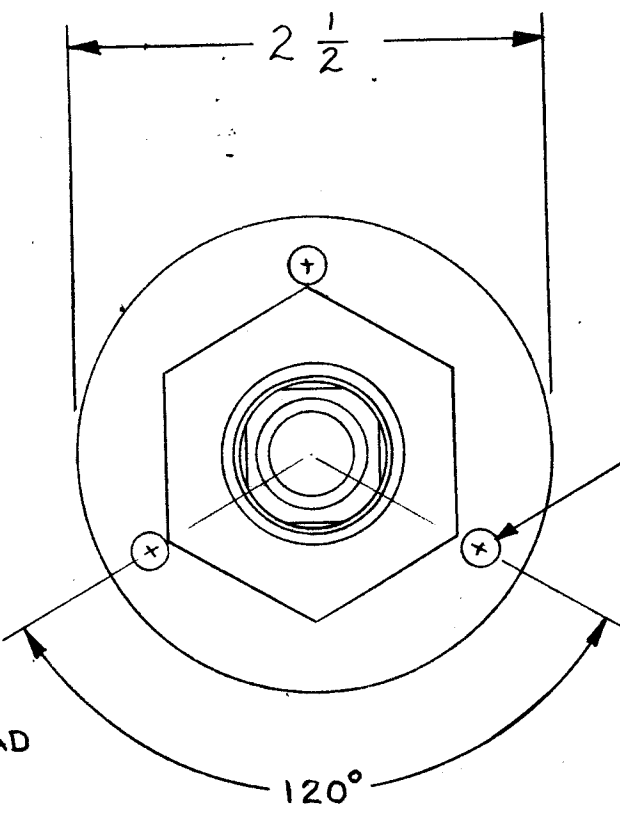
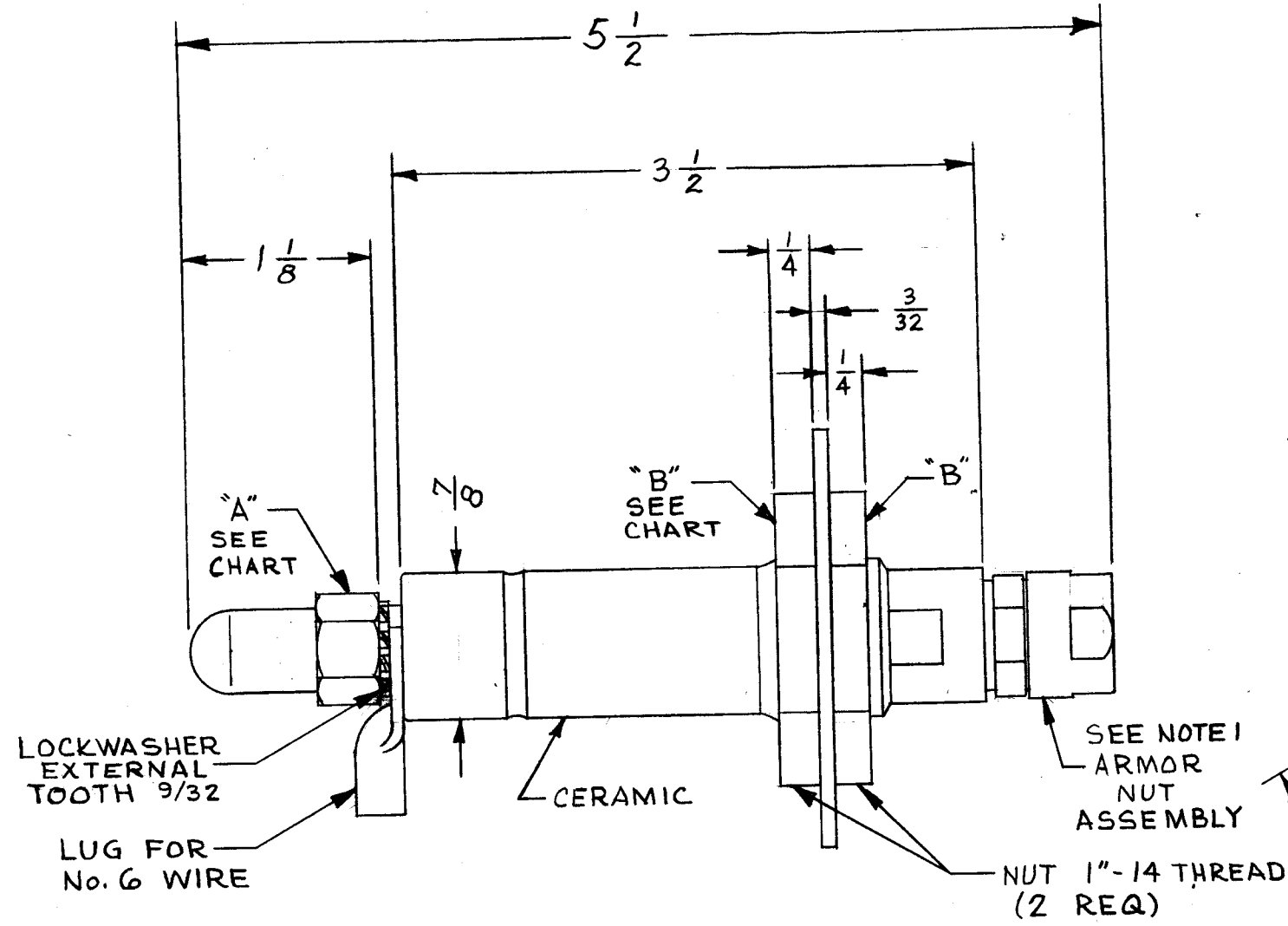
REVISIONS

SYM	DESCRIPTION	DATE	E.M.N. NO.	DRAFT	CHKD	APPD
0	ORIGINAL RELEASE FOR PRODUCTION	3/9/64			JLQ	

NOTICE TO PERSONS RECEIVING THIS DRAWING

THE TECHNICAL MATERIEL CORPORATION claims proprietary right in the material disclosed hereon. This drawing is issued in confidence for engineering information only and may not be reproduced or used to manufacture anything shown hereon without permission from THE TECHNICAL MATERIEL CORPORATION to the user. This drawing is loaned for mutual assistance and is subject to recall at any time.

Property of:
THE TECHNICAL MATERIEL CORPORATION
MAMARONECK, NEW YORK



- NOTES:
1. USE ARMOR CLAMP MX-1286/U.
 2. WEATHERPROOF CABLE TERMINATION.
 3. USED WITH RG-8, 9, 10, 11, 12, 13, 119, RG-120, 123, 214, 215 AND 216/U.

	ACROSS FLATS	ACROSS CORNERS
A	$9/16$	$5/8$
B	$1 \frac{1}{2}$	$1 \frac{3}{4}$

REQ'D.	ITEM	PART NUMBER	MARTINENGO	DESCRIPTION	SYMBOL
LIST OF MATERIAL					
MATERIAL			THE TECHNICAL MATERIEL CORP. MAMARONECK, NEW YORK		
FINISH			TITLE END SEAL		
UNLESS OTHERWISE SPECIFIED DIMENSIONS ARE IN INCHES AND INCLUDE CHEMICALLY APPLIED OR PLATED FINISHES			DRAWN M. TANTILLO	DATE 12-14-62	FINAL APPROVAL RJC
			CHECKED [Signature]	DATE	DATE 3/9/64
			ELECT. DES.	DATE	PART NO. MX-1461/U
			MECH. DES. [Signature]	DATE 12/14/62	SHEET 0
					REV. LTR.

Q'TY./UNIT	MODEL USED ON	ASBY. NO.
SCALE	CODE	
THE CONTENTS OF THIS DRAWING ARE THE EXCLUSIVE PROPERTY OF THE TECHNICAL MATERIEL CORP. ITS UNAUTHORIZED USE OR REPRODUCTION IN WHOLE OR IN PART IS STRICTLY FORBIDDEN.		

NOTES