

CABLE TYPES AND TERMINATION

| NO. | FROM | MATING CONNECTOR | CABLE TYPE | MATING CONNECTOR | TO | REMARKS |
|-----|---------------------|------------------|---|------------------|-----------------------------|--|
| W2 | C-3698/URA-38 J2 | 10-109628-21P | MULTICONDUCTOR MSCA-37 TYPE (33 ACTIVE) | 10-109628-21S | CU-938/ URA-38 J2 | SEE CHART FOR PIN CONNECTIONS CHART FOR PIN CONNECTIONS |
| W4 | CU-938/URA-38 E1 | — | TMC PART NO. WL 106-1 | — | ANTENNA TERMI- NATION | MAXIMUM LENGTH 36 INCHES, 12 INCHES PREFERRED. |

| REVISIONS | | | | | | |
|-----------|-----|--|----------|----------|-------|-----------|
| ZONE | LTR | DESCRIPTION | DATE | E.M.N.NO | DRAFT | CHKD APPD |
| | Ø | ORIGINAL RELEASE FOR PRODUCTION | 9-11-67 | Ø | RG | HPD |
| | A | ON CBL TYPES CHART, "To" Col., 12 WAS J1 SEE SHEETS 1 & 3 | 10-13-67 | 18541 | HEB | EFM |
| | B | SEE SHEET 1 | 2-7-68 | 18758 | HEB | EFM |
| | C | REV. & UPDATED | 10/8/68 | 19067 | HEB | EFM |

CABLE W2 PIN CONNECTIONS

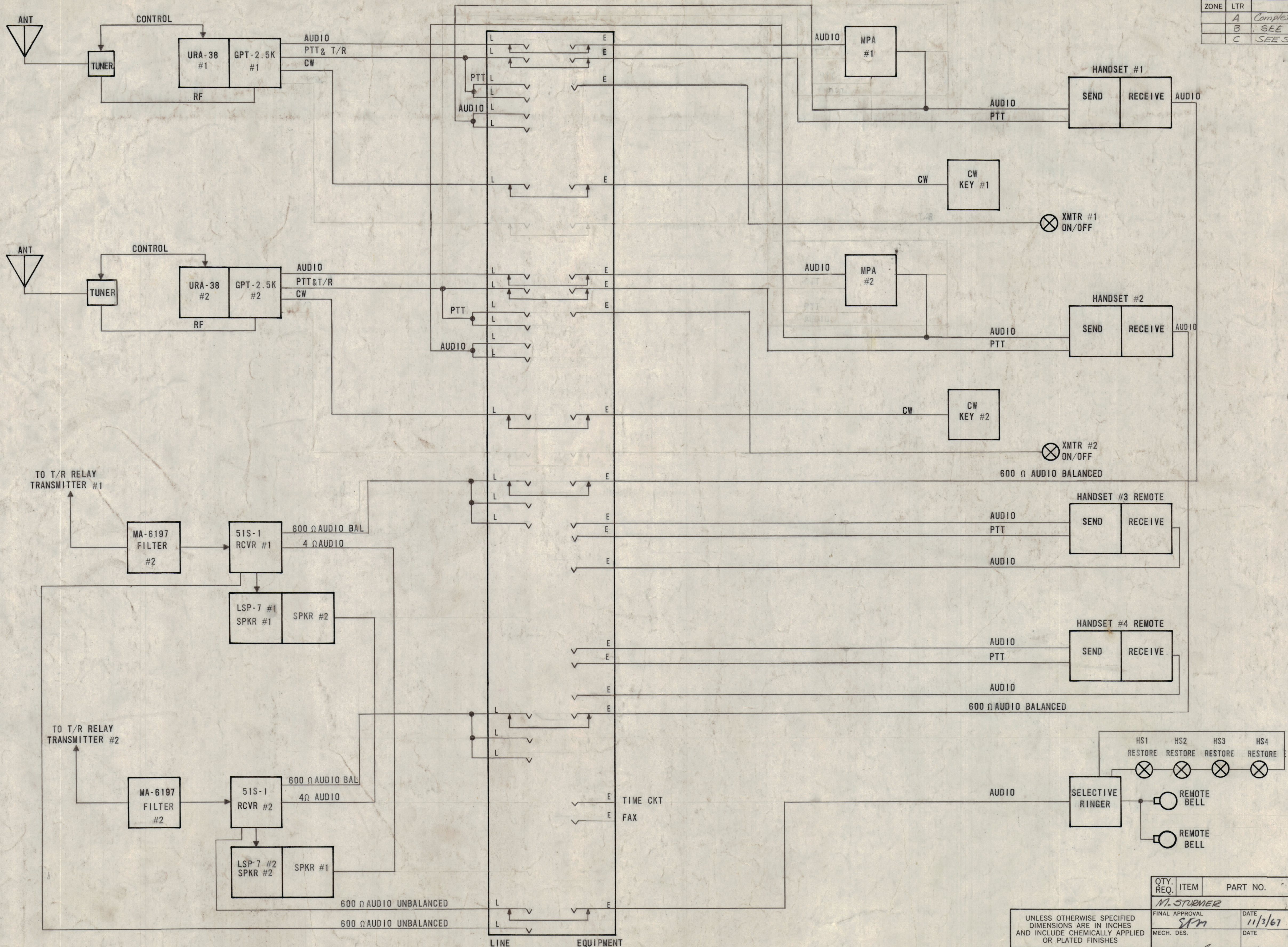
| WIRE SIZE | FROM CONNECTOR TYPE | TO CONNECTOR TYPE | REMARKS |
|-----------|---------------------|-------------------|--------------------------------|
| 22 | 10-109628-21P | 10-109628-21S | |
| | PIN A | PIN A | Ø DISC OUTPUT |
| | B | B | Ø DISC REFERENCE |
| | C | C | SPARE |
| | D | D | R DISC OUTPUT |
| | E | E | R DISC REFERENCE |
| | F | F | GROUND |
| | G | G | L MOTOR ON |
| | H,J,K,U | H,J,K,U | C MOTOR, HOME (+), TUNE (-) |
| | L | L | FAR END STOP |
| | M | M | C POSITION |
| | N | N | C MOTOR ON |
| | P,R,S,c | P,R,S,c | C MOTOR, TUNE (+), HOME (-) |
| | T | T | RESET |
| | V,W | V,W | L MOTOR, HOME (+), TUNE (-) |
| | X | X | L MOTOR BRAKE |
| | Z | Z | L POSITION |
| | a,b | a,b | L MOTOR, TUNE (+), HOME (-) |
| | d | d | C MOTOR BRAKE |
| | e | e | + 12.4 VDC |
| | f | f | OVERLOAD |
| | g | g | BYPASS |
| | h | h | + 28 VDC |
| | i | i | ARC DETECTOR |
| | j | j | FAN (60 CPS) |
| | k | k | FAN (400 CPS) |
| | m | m | FAN COMMON |
| | n | n | SPARE |
| | p | p | SPARE |
| | r | r | SPARE |
| 22 | PIN S | PIN S | SPARE |

| QTY. REQ. | ITEM | PART NO. | DESCRIPTION | SYMBOL | | |
|--------------------------|------|----------|--|----------------|------------|-------|
| STURMER LIST OF MATERIAL | | | | | | |
| FINAL APPROVAL | | DATE | THE TECHNICAL MATERIEL CORP. MAMARONECK, NEW YORK RADIO TELEPHONE AND RADIO TELEGRAPH CABLE ASSEMBLY FOR AVONDALE SHIPYARD INC. | | | |
| MECH. DES. | | DATE | | | | |
| ELECT. DES. | | DATE | | | | |
| CHECKED | | DATE | | | | |
| DRAWN | | DATE | | | | |
| | | | SIZE | CODE IDENT.NO. | DWG NO. | ISSUE |
| | | | C | 82679 | SYM-678368 | C |
| SCALE | | | SHEET 2 OF 3 | | | |

| QTY / UNIT | MODEL USED ON | ASS'Y NO. |
|--|---------------|-----------|
| APPLICATION | | |
| CODE | | |
| <small>NOTICE TO PERSONS RECEIVING THIS DRAWING</small> THE TECHNICAL MATERIEL CORPORATION claims proprietary right in the material disclosed hereon. This drawing is issued in confidence for engineering information only and may not be reproduced or used to manufacture anything shown hereon without permission from THE TECHNICAL MATERIEL CORPORATION to the user. This drawing is loaned for mutual assistance and is subject to recall at any time. | | |

SYM678368 C B

| REVISIONS | | | | | | |
|-----------|-----|--|---------|------------|-------|------|
| ZONE | LTR | DESCRIPTION | DATE | E.M.N. NO. | DRAFT | CHKD |
| A | | Completely Rev. of Redrawn (SEE SHEET 1 & 2) | 10/6/67 | 18541 | | |
| B | | SEE SHEET 2 | 2/7/68 | 18758 | | EFM |
| C | | SEE SHEETS 1 & 2 OF 3 | 10/8/68 | 19067 | | EFM |



| QTY / UNIT | MODEL USED ON | ASS'Y NO. |
|-------------|---------------|-----------|
| APPLICATION | | |
| CODE | | |
| MATERIAL | | |
| FINISH | | |

UNLESS OTHERWISE SPECIFIED DIMENSIONS ARE IN INCHES AND INCLUDE CHEMICALLY APPLIED OR PLATED FINISHES

TOLERANCES ON
 DECIMALS .X ± .05
 .XX ± .01
 .XXX ± .005

FRACTIONS ± 1/64
 ANGLES ± 0' - 30'

| QTY. REQ. | ITEM | PART NO. | DESCRIPTION | SYMBOL |
|-----------------------------|------|----------|--|-----------------|
| M. STUBNER LIST OF MATERIAL | | | | |
| FINAL APPROVAL | | DATE | THE TECHNICAL MATERIEL CORP. MAMARONECK, NEW YORK RADIO TELEPHONE AND RADIO TELEGRAPH SYSTEM BLOCK DIAGRAM FOR AVONDALE SHIPYARDS, INC | |
| MECH. DES. | | DATE | | |
| ELECT. DES. | | DATE | | |
| CHECKED | | DATE | | |
| DRAWN | | DATE | | |
| MATERIAL | | | SIZE | CODE IDENT. NO. |
| FINISH | | | D | 82679 |
| | | | DWG NO. SYM678368 | |
| | | | SCALE | ISSUE |
| | | | | C |
| | | | SHEET 3 OF 3 | |

NOTICE TO PERSONS RECEIVING THIS DRAWING
 THE TECHNICAL MATERIEL CORPORATION claims proprietary right in the material disclosed herein. This drawing is issued in confidence for engineering information only and may not be reproduced or used to manufacture anything shown hereon without permission from THE TECHNICAL MATERIEL CORPORATION to the user. This drawing is loaned for mutual assistance and is subject to recall at any time.