

NOTE:  
DEPTH OF RACK 24"  $\phi$ A.

NOTES

Q'TY./UNIT	MODEL USED ON	ASS'Y. NO.
SCALE	CODE	
THE CONTENTS OF THIS DRAWING ARE THE EXCLUSIVE PROPERTY OF THE TECHNICAL MATERIEL CORP. ITS UNAUTHORIZED USE OR REPRODUCTION IN WHOLE OR IN PART IS STRICTLY FORBIDDEN.		

A  
 PPTA-1  
 SHEET 1 OF 2

REVISIONS					
SYM	DESCRIPTION	DATE	E.M.N. NO.	DRAFT	CHKD
	NOTE 2 BUILD UP ADDED	5/10/67		eee	gaw

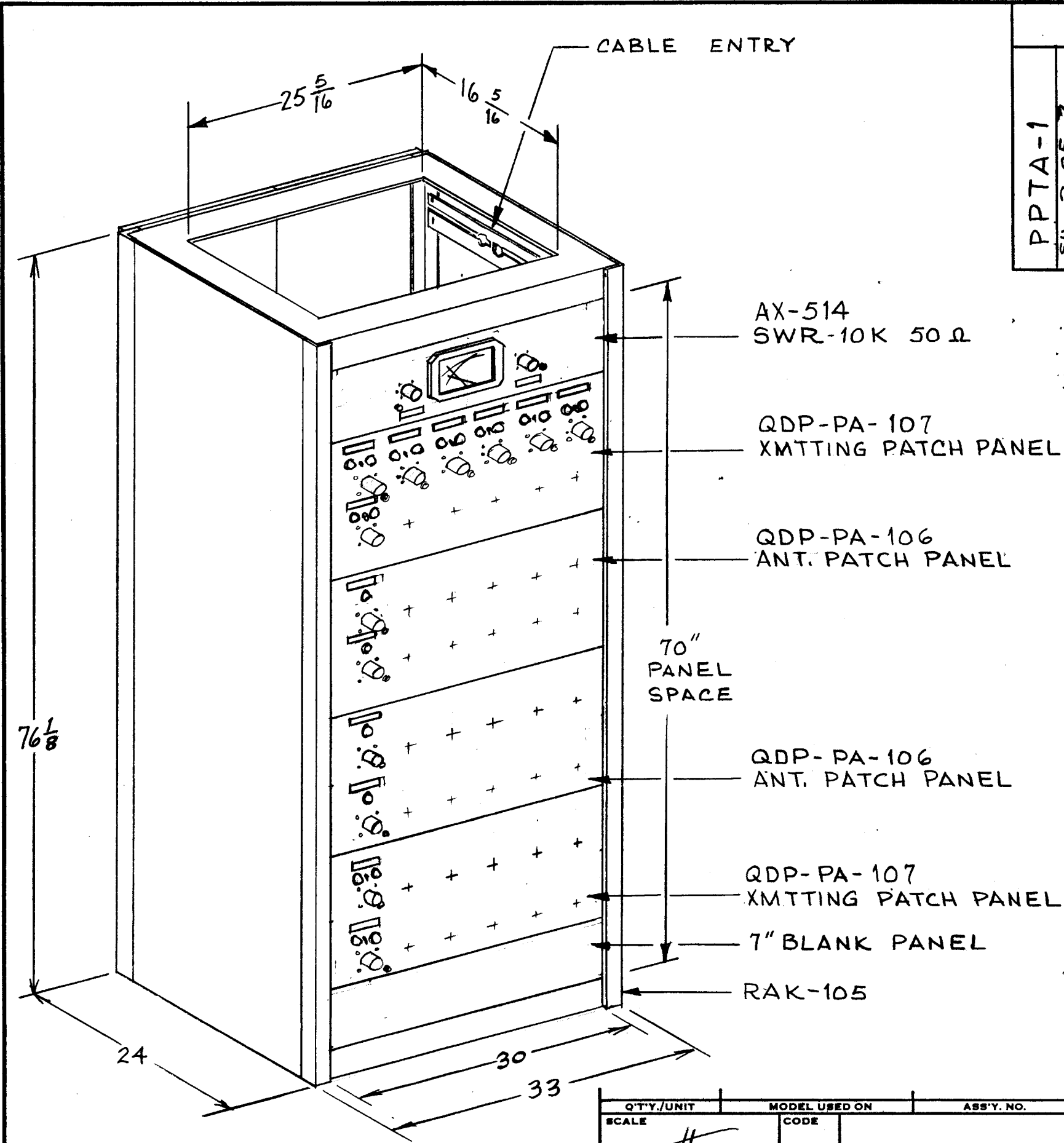
NOTE: FUSE PANEL AND 48 V DC POWER SUPPLY NOT SUPPLIED

LOOSE ITEMS \*

\*  
 \*  
 \*  
 \*  
 \*  
 \*

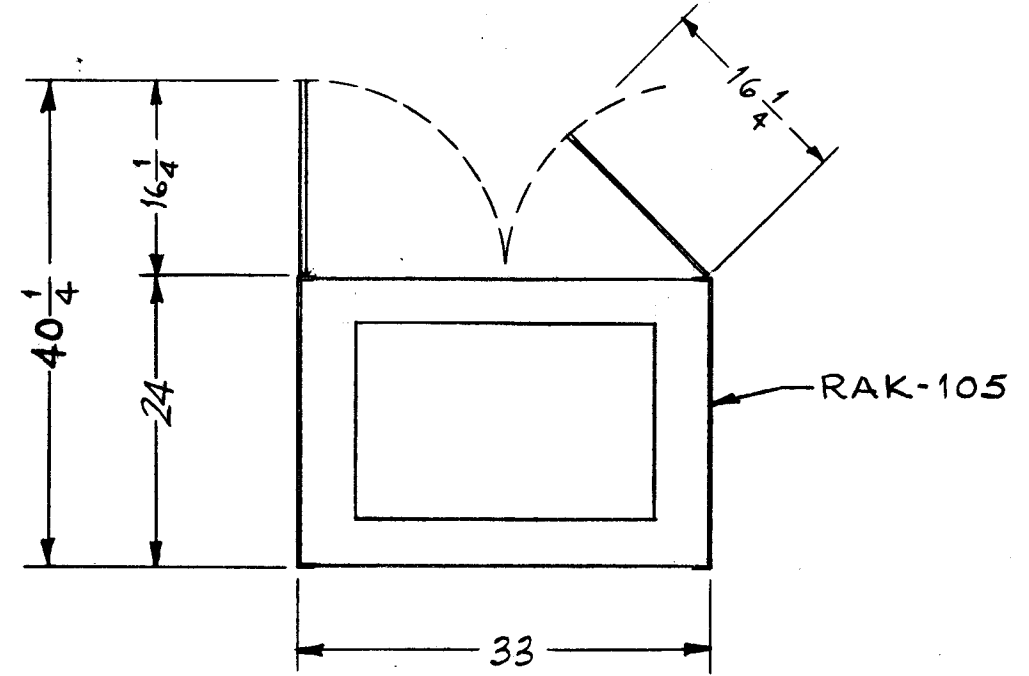
REQ'D.	ITEM	PART NUMBER	DESCRIPTION	SYMBOL
1	7	AX-565	DISTRIBUTION PANEL	
18	6	AX-515	RELAY PANEL	
14	5	CA-794-2-28	PATCH CABLE 28 INCHS	
3	4	-2-36	" " 36 "	
5	3	-2-48	" " 48 "	
1	2	-2-60	" " 60 "	
1	1	-2-72	" " 72 "	

MATERIAL		THE TECHNICAL MATERIEL CORP. MAMARONECK, NEW YORK			
FINISH		TITLE RACK LAYOUT PATCHING FACILITIES FOR MODEL PPTA-1			
UNLESS OTHERWISE SPECIFIED DIMENSIONS ARE IN INCHES AND INCLUDE CHEMICALLY APPLIED OR PLATED FINISHES		DRAWN M TANTILLO	DATE 10-9-64	FINAL APPROVAL <i>[Signature]</i>	
DECIMALS .X ± .05 .XX ± .01 .XXX ± .005		ELECT. DES.		DATE	PPTA-1
FRACTIONS ± 1/64 ANGLES ± 0° 30'		MECH. DES.		DATE	A
TOLERANCES		SHEET 1 OF 2		REV. LTR.	



PPTA-1  
SH. 2 OF 2

REVISIONS					
SYM	DESCRIPTION	DATE	E.M.N. NO.	DRAFT	CHKD APPD



TOP VIEW - FLOOR PLAN  
SPACE REQUIRED WITH  
DOORS OPENED

NOTES

Q'TY./UNIT	MODEL USED ON	ASS'Y. NO.
SCALE <i>H</i>	CODE	
THE CONTENTS OF THIS DRAWING ARE THE EXCLUSIVE PROPERTY OF THE TECHNICAL MATERIEL CORP. ITS UNAUTHORIZED USE OR REPRODUCTION IN WHOLE OR IN PART IS STRICTLY FORBIDDEN.		

REQ'D.	ITEM	PART NUMBER	DESCRIPTION	SYMBOL
<b>MARTINENGO LIST OF MATERIAL</b>				
MATERIAL		<b>THE TECHNICAL MATERIEL CORP. MAMARONECK, NEW YORK</b>		
FINISH		TITLE <b>PATCH PANEL, ANT/XMITTING DIMENSIONAL OUTLINE</b>		
UNLESS OTHERWISE SPECIFIED DIMENSIONS ARE IN INCHES AND INCLUDE CHEMICALLY APPLIED OR PLATED FINISHES		DRAWN <b>M TANTILLO</b>	DATE <b>8-9-64</b>	FINAL APPROVAL <i>[Signature]</i>
		CHECKED	DATE	
DECIMALS .X $\pm$ .05 .XX $\pm$ .01 .XXX $\pm$ .005		FRACTIONS $\pm$ 1/64 ANGLES $\pm$ 0° 30'		ELECT. DES. DATE
TOLERANCES		MECH. DES. <i>[Signature]</i> DATE		<b>PPTA-1</b>
				SHEET 2 OF 2
				REV. LTR.