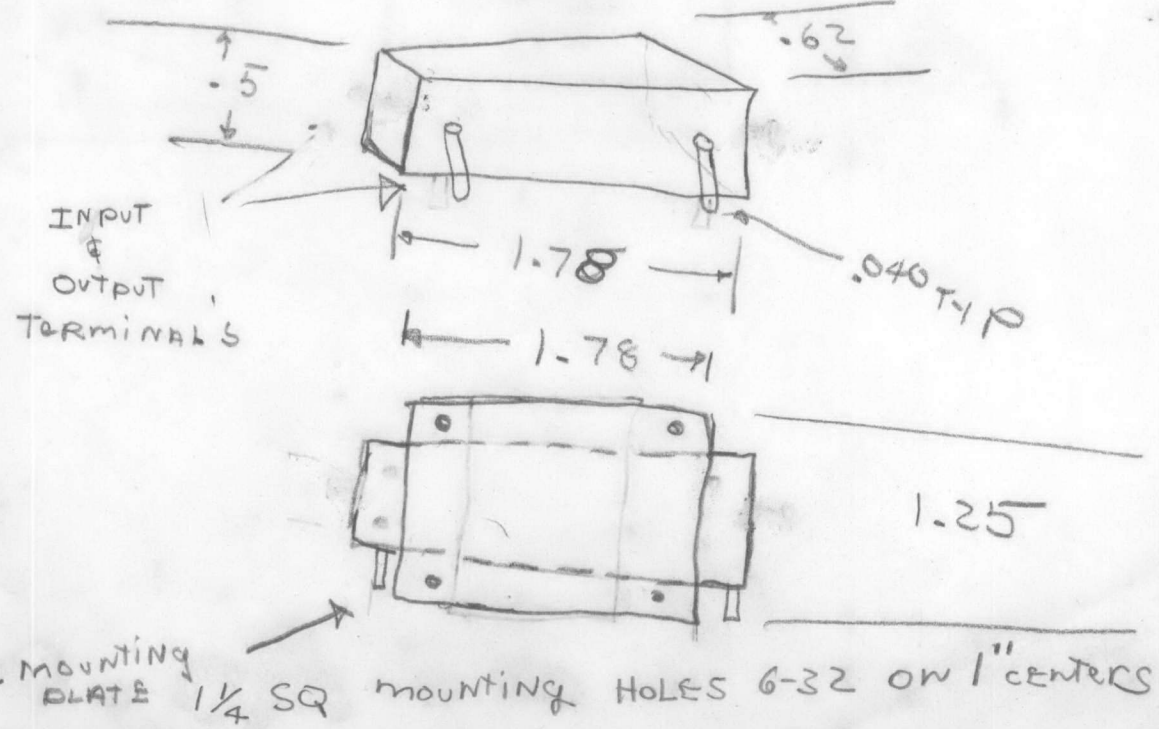
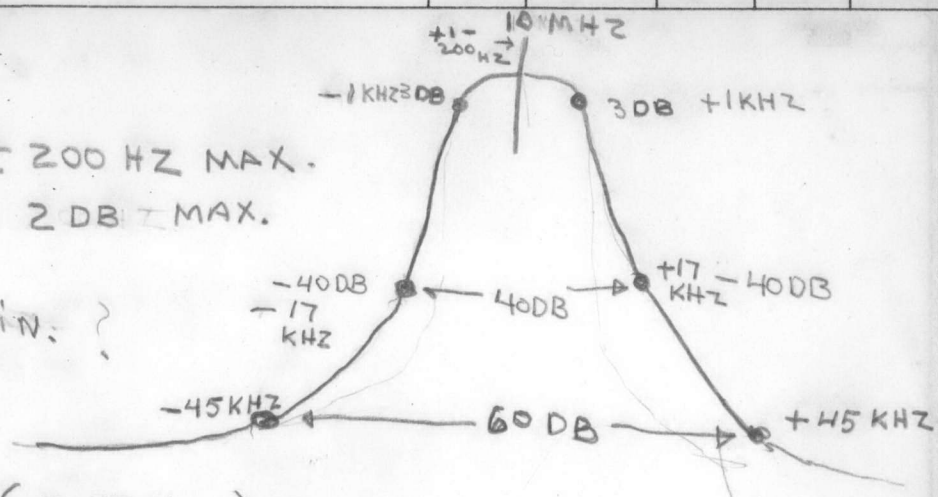


APPLICATION			REVISIONS						
QTY	MODEL USED ON	ASS'Y NO.	LTR	DESCRIPTION	DATE	E.M.N.NO	DRAFT	CHKD	APPD

Specs

CENTER FREQ. 10MHZ \pm 200 HZ MAX.
 INSERTION LOSS AT 10MHZ 2 DB \pm MAX.
 IM/OUTPUT IMP. 50 Ω
 3 DB BANDWIDTH \pm 1KHZ MIN. ?
 -40DB \pm 18 KHZ
 -60 DB \pm 45 KHZ
 STOPBAND -5 to 100MHZ (-50 DB MIN)



<small>UNLESS OTHERWISE SPECIFIED DIMENSIONS ARE IN INCHES AND INCLUDE CHEMICALLY APPLIED OR PLATED FINISHES</small> <small>DECIMALS: .X \pm .05, .XX \pm .01, .XXX \pm .005</small> <small>FRACTIONS: 1/64, ANGLES: 0°-30'</small> <small>TOLS.</small>	REQ'D	ITEM	PART NUMBER	DESCRIPTION	SYM.	
	LIST OF MATERIAL					
	FINAL APPROVAL		DATE		THE TECHNICAL MATERIEL CORP. MAMARONECK, NEW YORK FILTER, XTAL (CF 10MHZ)	
	MECH. DES.		DATE			
	ELECT. DES.		DATE			
CHECKED		DATE				
MATERIAL						
FINISH						

<small>NOTICE TO PERSONS RECEIVING THIS DRAWING</small> THE TECHNICAL MATERIEL CORPORATION claims proprietary right in the material disclosed hereon. This drawing is issued in confidence for engineering information only and may not be reproduced or used to manufacture anything shown hereon without permission from THE TECHNICAL MATERIEL CORPORATION to the user. This drawing is loaned for mutual assistance and is subject to recall at any time.	SIZE	CODE IDENT. NO.	DWG NO.	ISSUE
	A	82679	FIL 0903	
	SCALE		SHEET	OF