

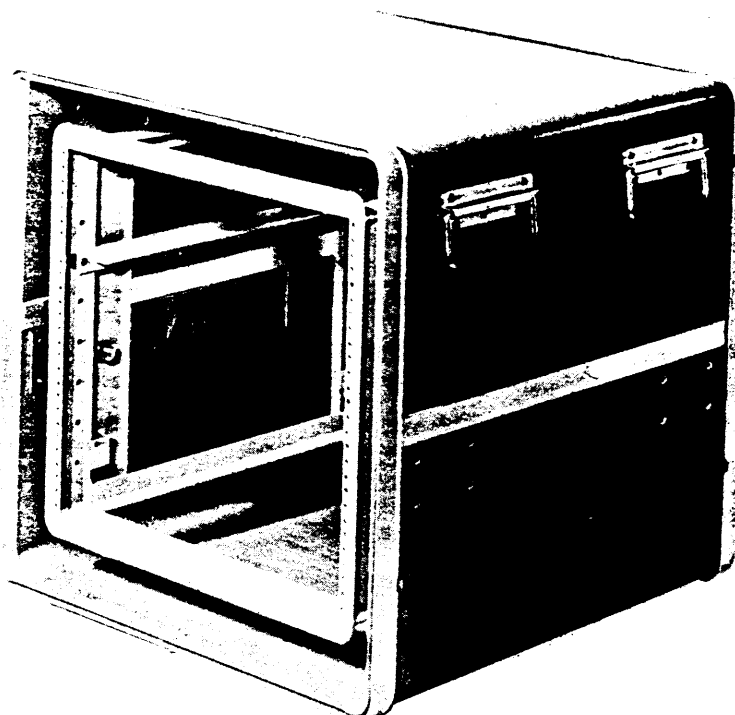
5

4

3

2

1



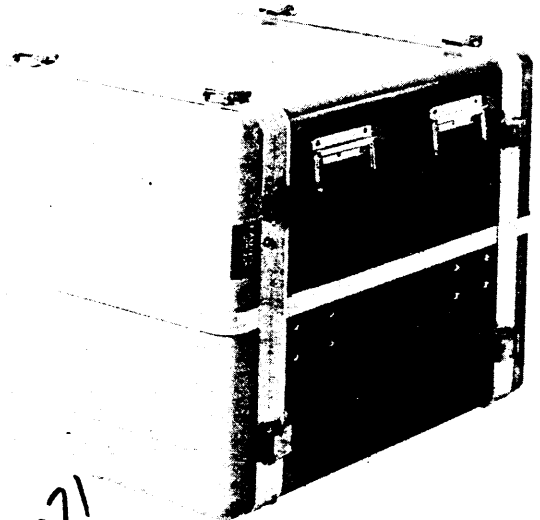
15.87 in.

39-338-1587

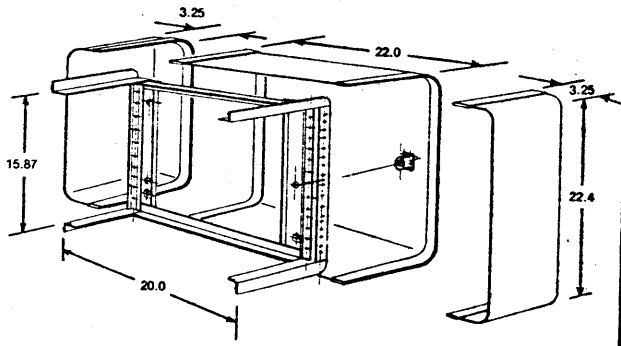
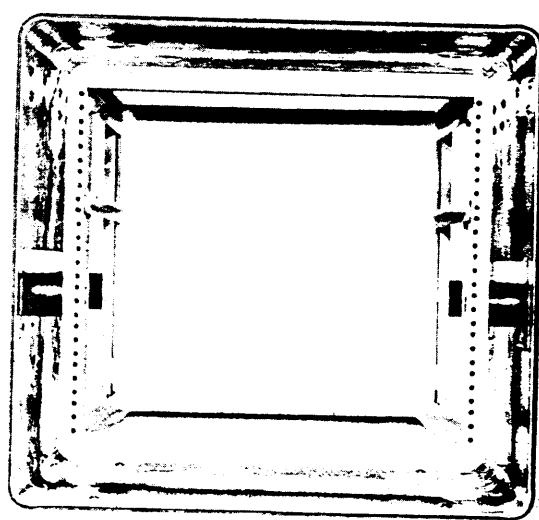
SPECIFICATIONS

Rack Height 15.87 in.
ECS Part No. 39-338-1587

- Outside Case Dimensions (Not including Hardware)
 - A. Height: 22.4 in. 569 MM
 - B. Width: 24.0 in. 610 MM
 - C. Overall Depth: 28.5 in. 724 MM
 - D. Cover Depth: 3.25 in. 83 MM
- Rack Frame Dimensions:
 - A. Height Inside: 15.87 in. 403 MM
 - B. Width Inside: 17.56 in. 446 MM
 - C. Depth: 20.00 in. 508 MM
 - D. See page 18 for Rack Mounting Dimensions.
- Case Weight: 60 Lb. 27.2 kg.
- Shipping Weight: 75 Lb. 34.1 kg.
- Instrument Weight Capacity
 - A. Minimum: 30 Lb. 13.6 kg.
 - B. Maximum: 130 Lb. 59.0 kg.
- T-Bar Instrument Supports
Supplied with each case: 2 Sets
- Environmental Characteristics:
 - A. Watertight, gasketed construction
 - B. Salt Spray, corrosion and fungus resistant
 - C. See page 19 for shock and vibration attenuation specifications
- Standard Color: Desert Tan with Bronze anodized extrusions and bronze colored hardware
- Options: See page 20



3-476-8871



REVISIONS							
E.M.N. NO.	DRAFT	CHKD	ZONE	LTR	DESCRIPTION	DATE	APPROVED
				Ø	ORIGINAL RELEASE FOR PRODUCTION	5-2-78	*

REQ'D	ITEM	PART NUMBER	DESCRIPTION	SYM.
-------	------	-------------	-------------	------

LIST OF MATERIAL

THE TECHNICAL MATERIEL CORP.
MAMARONECK, NEW YORK

CASE, TRANSIT, OPERATING

QTY / UNIT	MODEL USED ON	ASS'Y NO.
APPLICATION		
CODE		

UNLESS OTHERWISE SPECIFIED DIMENSIONS ARE IN INCHES AND INCLUDE CHEMICALLY APPLIED OR PLATED FINISHES	FINAL APPROVAL X [Signature]	DATE 7/4/78
DECIMALS .X ± .05 .XX ± .01 .XXX ± .005	FRACTIONS 1/64 ANGLES 0° - 30'	ELECT. DES. DATE
MATERIAL	CHECKED	DATE
FINISH	DRAWN G.L.L.	DATE 4.4.78

NOTICE TO PERSONS RECEIVING THIS DRAWING
THE TECHNICAL MATERIEL CORPORATION claims proprietary right in the material disclosed hereon. This drawing is issued in confidence for engineering information only and may not be reproduced or used to manufacture anything shown hereon without permission from THE TECHNICAL MATERIEL CORPORATION to the user. This drawing is loaned for mutual assistance and is subject to recall at any time.

SIZE	CODE IDENT. NO.	DWG NO.	ISSUE
B	82679	CW III	Ø

SCALE SHEET OF

5

4

3

2

1