

THE CONTENTS OF THIS DRAWING ARE THE EXCLUSIVE PROPERTY OF THE TECHNICAL MATERIEL CORP. ITS UNAUTHORIZED USE FOR REPRODUCTION IN WHOLE OR IN PART IS STRICTLY FORBIDDEN.

REQ. PER UNIT

USED ON ASSY. NO.

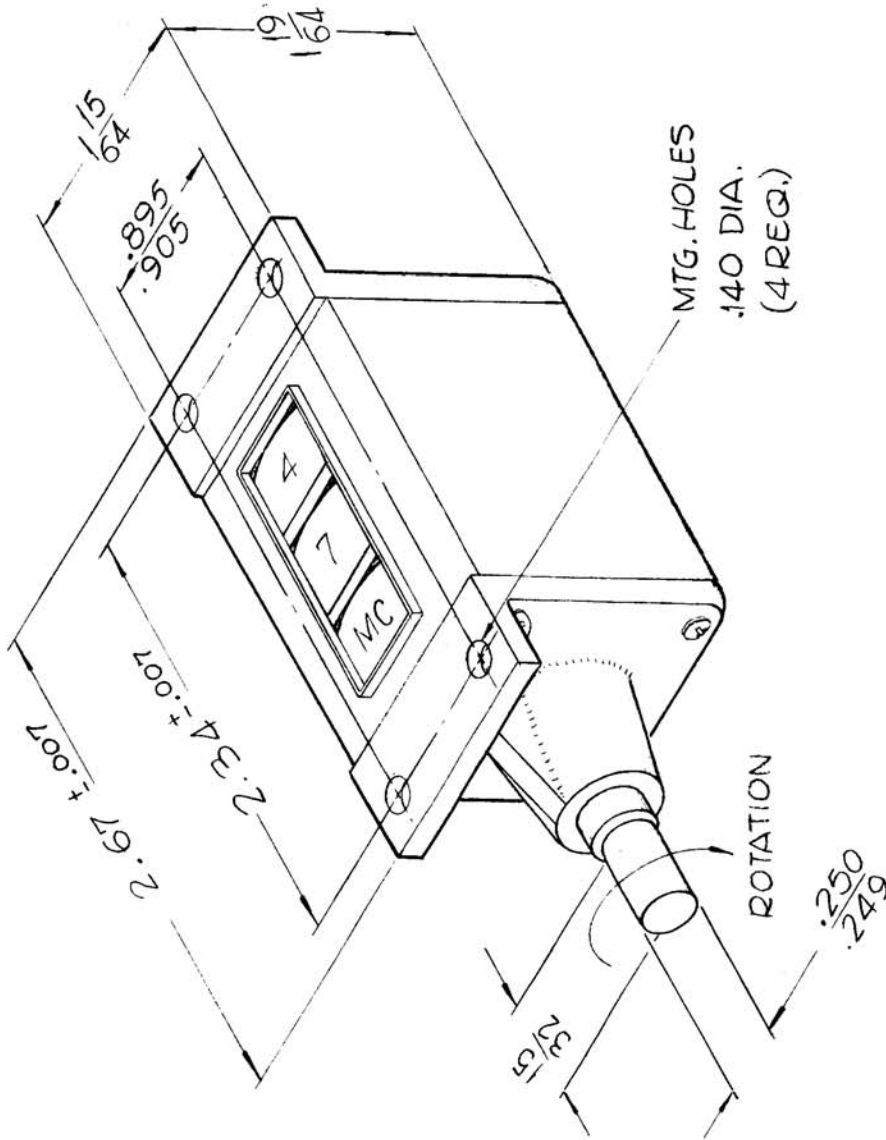
DATE

AC-173 B

1

GPT-200K AX-395

2-8-63



SPECIFICATIONS:

PLAIN BEARING TYPE
 NON RESET
 READINGS ~
 POSITION 1~2-5
 2~5-7
 3~7-13.5
 4~13.5-22
 5~22-28

| REQ. ITEM | PART NO. | DESCRIPTION | SYMBOL |
|-----------|----------|--|-------------------|
| | | F. BUDETTI | |
| | | THE TECHNICAL MATERIEL CORP. MAMARONECK. NEW YORK | |
| | | COUNTER, BANDSWITCH | |
| | | TT-1 | |
| | | SRG | SRG |
| | | QA | QA |
| | | CHECKED | CHECKED |
| | | DRAWN | DRAWN |
| | | MECH. DES. APP. | MECH. DES. APP. |
| | | ELEC. DES. APP. | ELEC. DES. APP. |
| | | FINISH & SPEC. NO. | AC-173 B |
| | | TYPE & TEMPER | HEAT TREAT. SPEC. |
| | | MATERIAL | |
| | | CH. NO. | DRAFTS |
| | | DATE | CHECKER |
| | | 5-18-64 | SRG |
| | | 5-13-64 | SRG |
| | | SCALE | |
| | | UNLESS OTHERWISE SPECIFIED | |
| | | DIMENSIONS ARE IN INCHES AND INCLUDE | |
| | | CHEMICALLY APPLIED OR PLATED FINISHES | |
| | | DECIMALS | |
| | | X ± .05 | |
| | | .XX ± .01 | |
| | | .XXX ± .005 | |
| | | FRACTIONS | |
| | | ± 1/64 | |
| | | ANGLES | |
| | | ± 0° 30' | |
| | | TOLERANCES | |
| | | 8A-3116-1 | |