

THE CONTENTS OF THIS DRAWING ARE THE EXCLUSIVE PROPERTY OF THE TECHNICAL MATERIEL CORP. ITS UNAUTHORIZED USE OR REPRODUCTION IN WHOLE OR IN PART IS STRICTLY FORBIDDEN.

REQ. PER UNIT

MODEL

USED ON ASS'Y. NO.

DATE
12-7-61

AC-141

D

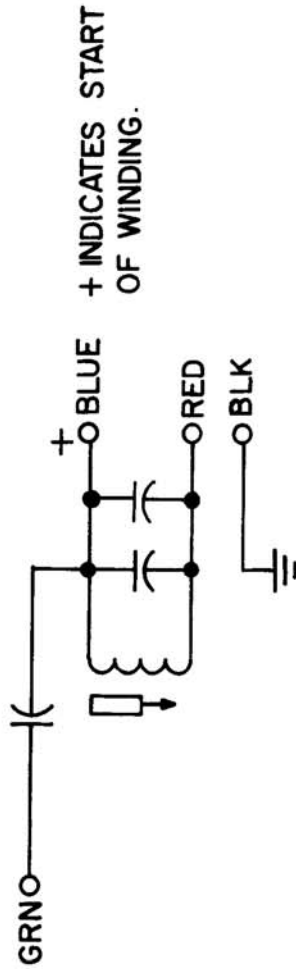
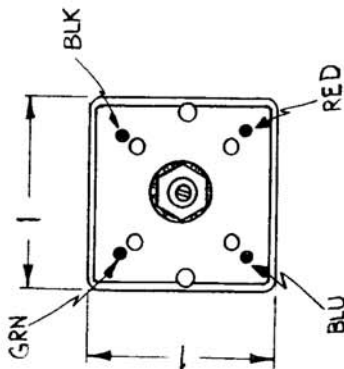
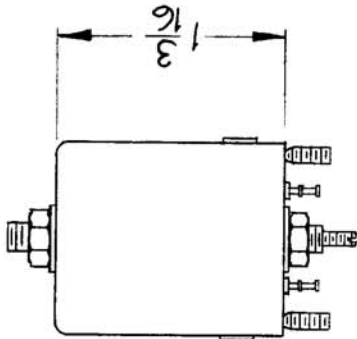
TMC PART No.	MODEL	REQ.	FUNCTION	OPER. FREQ.	SYMBOL
AC-141	AFC-2	3		250 KC	
AC-141-2	AFC-7	3		205 KC	

ELECTRICAL SPEC

PRIMARY
IND: 150-160 μ h
Q: 85 OR BETTER
FREQ: 790 KC

MECHANICAL SPEC

CASE ~ ALUMINUM
CASE FINISH - NONE
TERM. BOARD - PHENOLIC



SCHEMATIC DIAGRAM

REQ. ITEM	PART NO.	DESCRIPTION	SYMBOL
D	CASE FINISH WAS S404.		
C	① CAPACITOR ADDED TO SCHEMATIC.		
B	PIN COL. AND LINE AC-141-2 ADDED TO IDGHT.		
A	ONEL SPEC. IND WAS 145-155 μ h Q WAS 80		
SYM	DESCRIPTION		
6-17-66	16A15		
11/3/65	15089		
8-23-65	14705		
8-17-64	12150		
DATE	CH. NO.	DRAFTS	CHECKER
			ENG. APP.
SCALE: (2A-2242)			
UNLESS OTHERWISE SPECIFIED: DIMENSIONS ARE IN INCHES TOLERANCES ON FRAC. \pm 1/64 DEC. \pm .005 ANGLES \pm 1/2°			
MAXIMUM ALLOWABLE TOLERANCES HAVE BEEN DETERMINED AND ANY DEVIATIONS WILL BE CAUSE FOR REJECTION. REMOVE ALL BURRS AND SHARP EDGES			
TYPE & TEMPER		HEAT TREAT. SPEC.	DRAWN
MATERIAL			CHECKED
FINISH & SPEC. NO.		ELEC. DES. APP.	MECH. DES. APP.
THE TECHNICAL MATERIEL CORP.		MAMARONECK, NEW YORK	
COIL FOR CARRIER AMPL.			
AC-141		D	