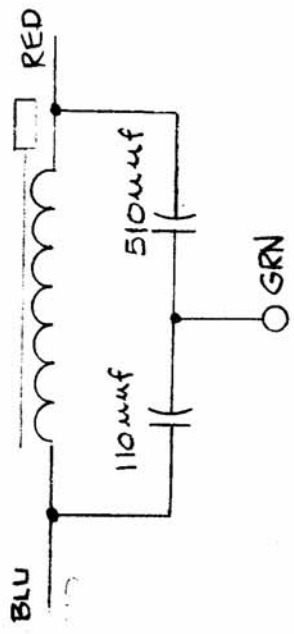
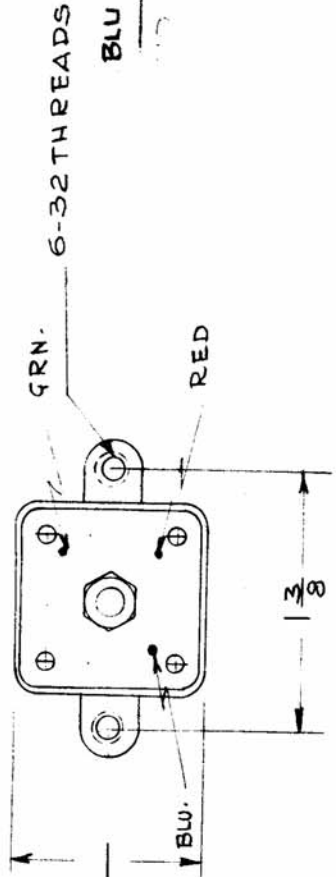
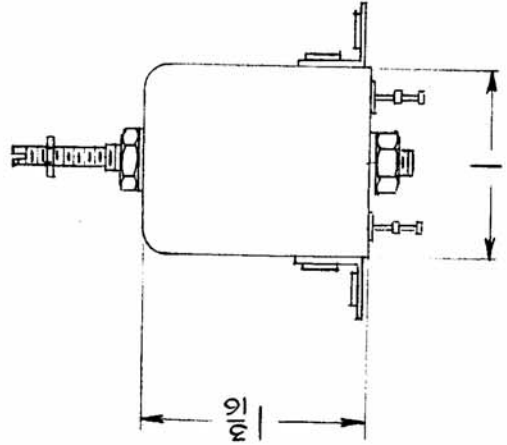


QTY. PER. UNIT	1
MODEL	CHG-1
USED ON	ASC
APPY. NO.	65C
DATE	9-26-1960
AC-131	B

MODEL	CHG-1	REQ.	1	FUNCTION.	6UR 1Mc TUNING COIL	OPER. FREQ	1Mc	SYM.	L1305
-------	-------	------	---	-----------	------------------------	------------	-----	------	-------

TEST DATA (W/OUT CORE)  
 $L = 140 \mu h \pm 10\%$   
 $Q = 40$   
 $FREQ = 790 KC$



REQ. ITEM	PART NO.	DESCRIPTION	SYMBOL
B 1	ON TEST DATA L WAS 140 ± 4μh	THE TECHNICAL MATERIEL CORP.	
A	L WAS 170μh (165 to 175)	MAMARONECK, NEW YORK	
ISSUE ITEM	CHANGED FROM	COIL, RF, TUNED	
TOLERANCES			
SCALE: 2A - 1969			
MAXIMUM ALLOWABLE TOLERANCES HAVE BEEN DETERMINED AND ANY DEVIATIONS WILL BE CAUSE FOR REJECTION. REMOVE ALL BURRS AND SHARP EDGES			
DEC. DIM. ±			
FRAC. DIM. ±			
ANGULAR DIM. ±			
DATE	CH. NO.	DRAFTS	CHECKER
6-7-61	5013		
12/16/60	3767		
FINISH & SPEC. NO.			
TYPE & TEMPER			
HEAT TREAT. SPEC			
DRAWN			
CHECKED			
ELEC. DES. APP			
MECH. DES. APP			
FINISH & SPEC. NO.			
AC-131			
FINAL APPROVAL			
B			