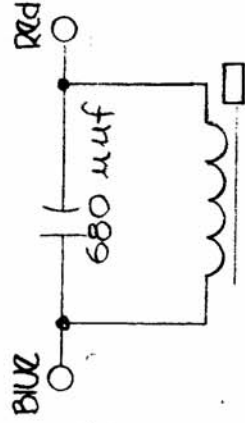
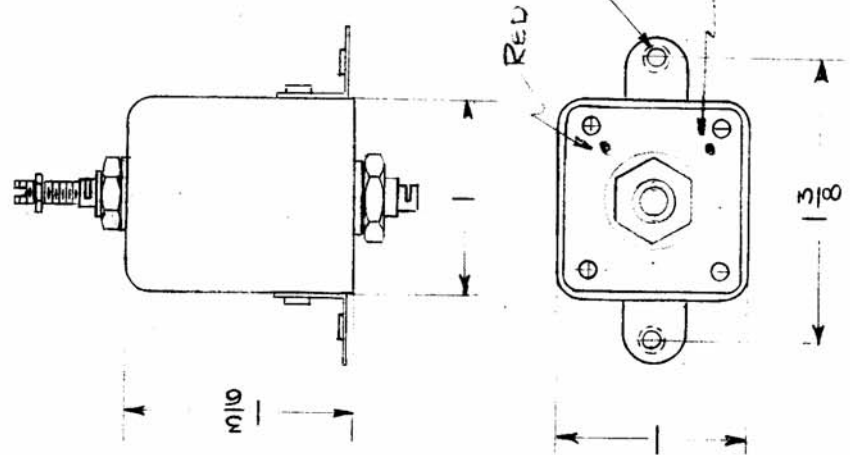


REQ. PER UNIT	USED ON	
	MODEL	DATE
1	CHG-1	9-23-60
1	CHG-2	11-5-63
1	HFS-1	11-5-63

AC-125

C



MODEL	REQ	FUNCTION	OPER. FREQ.	SYM.
CHG-1	1	6CS6 MIXER	250KC	L1G01
CHG-2	1	PLATE COIL	250KC	L2G01
HFS-1	1	"	250 KC	L3702

TEST DATA (W/OUT CORE)
 L = 540 uH ± 10%
 Q = 50 or Greater
 FREQ = 790 KC

REQ. ITEM	PART NO.	DESCRIPTION	SYMBOL
C 1	UPDATED	THE TECHNICAL MATERIAL CORP.	
B 1	ON TEST DATA L WAS 540 uH ± 15	MAMARONECK, NEW YORK	
A 1	680 uuf was 560 uuf	COIL, RF, TUNED	
ISSUE ITEM	CHANGED FROM		
TOLERANCES			
SCALE: 2 A - 1954			
MAXIMUM ALLOWABLE TOLERANCES HAVE BEEN DETERMINED AND ANY DEVIATIONS WILL BE CAUSE FOR REJECTION. REMOVE ALL BURRS AND SHARP EDGES			
DEC. DIM. ±			
FRAC. DIM. ±			
ANGULAR DIM. ±			
FINISH & SPEC. NO.			
TYPE & TEMPER	HEAT TREAT. SPEC.		
DRAWN	CHECKED		
9 de laoid	JDE		
G.R.J.			
ELEC. DES. APP	MECH. DES. APP		
AC-125			C