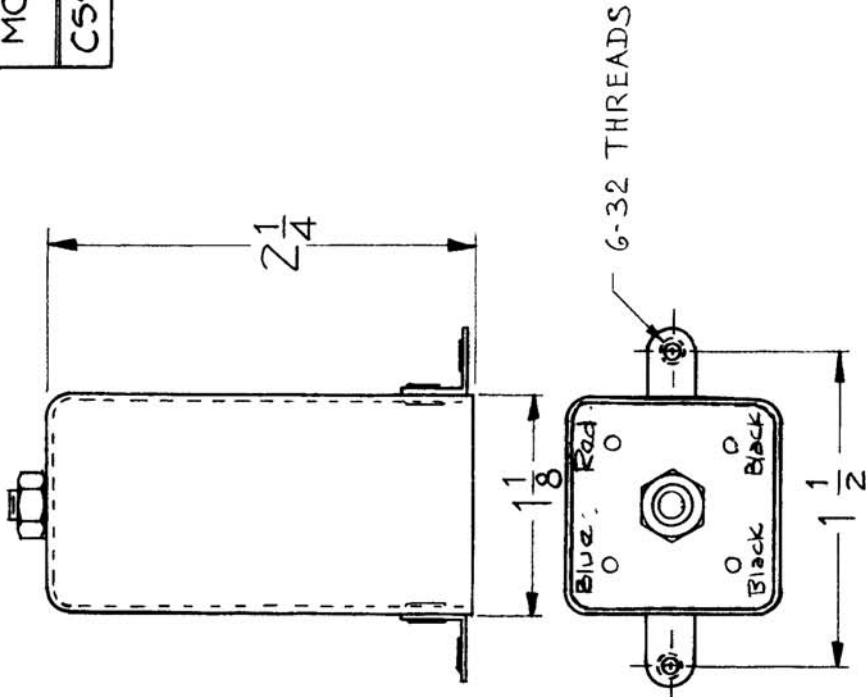


REQ. PER UNIT	M DEL	USED ON	DATE
1	CSS-1	ASSY. NO.	5-2-60
AC-123			B

MODEL	REQ	FUNCTION	OPER. FREQ.	SYM.
CSS-1	1	TRANSFORMER	1 MC	T604

ELECTRICAL SPECIFICATIONS  
 L - 85 ±10 MICROHENRIES  
 Q - 50 or Greater  
 FREQ.(TEST) - 790 KC



REQ. ITEM	PART NO.	DESCRIPTION	SYMBOL
B 1	ON ELECTRICAL SPEC. Q: WAS 75	THE TECHNICAL MATERIEL CORP. MAMARONECK, NEW YORK	
A 1	6-9-61 5047 10-24-60 3247	COIL, RF, TUNED	
ISSUE ITEM	CHANGED FROM		
TOLERANCES DEC. DIM. ± FRAC. DIM. ± ANGULAR DIM. ±			
SCALE: ZA-1894 MAXIMUM ALLOWABLE TOLERANCES HAVE BEEN DETERMINED AND ANY DEVIATIONS WILL BE CAUSE FOR REJECTION. REMOVE ALL BURRS AND SHARP EDGES			
MFG. JCB DRAFTS J.C.B. DATE 10-24-60 CH. NO. 3247 CHECKER JCB ENG. APP. JCB		DRAWN JCB CHECKED JCB FINAL APPR VAL JCB	
MATERIAL HEAT TREAT. SPEC. FINISH & SPEC. NO.		ELEC. DES. APP. MECH. DES. APP.	
AC-123			B