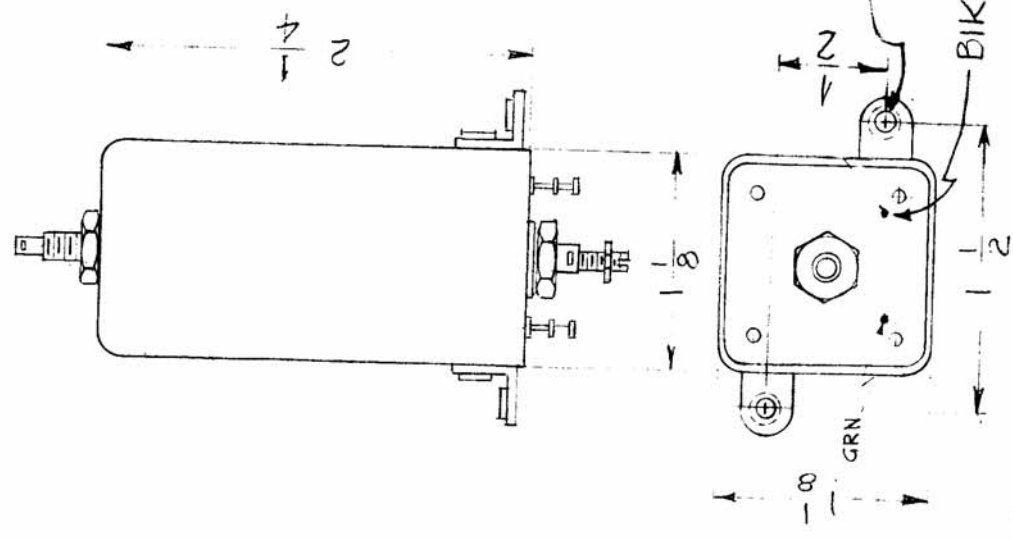
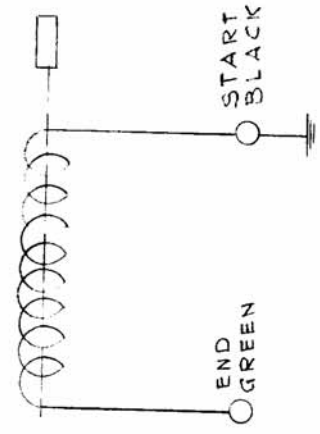


RE PER UNIT	USED ON	
	MODEL	ASSY. NO.
1	CMO	AX-224
		DATE
		10-5-1960
AC-121		B



L = 23(i)uh
 Q = 30 or Greater
 Test Freq = 2.5 MC



MODEL	REQ	LOCATIONAL FUNCTION	OPER FREQ	SYM
CMO	1	V307 SERIP COIL	2.4 MC	T303

REQ. ITEM		PART NO.		DESCRIPTION		SYMBOL	
				THE TECHNICAL MATERIEL CORP.			
				MAMARONECK, NEW YORK			
				COIL REF, TUNED			
				MATERIAL			
				TYPE & TEMPER		HEAT TREAT. SPEC.	
				FINISH & SPEC. NO.		ELEC. DES. APP. MECH. DES. APP.	
B 1		L WAS 14.3 uh	4-7-61	4581	MAF	MAF	MAF
A 2		Q WAS 40	12-14-60	3716	MAF	MAF	MAF
A 1		L WAS 23 uh					
ISSUE ITEM		CHANGED FROM		DATE		CH. NO.	
						DRAFTS	
						CHECKER	
						ENG. APP.	
						SCALE: 2 A - 1875	
						MAXIMUM ALLOWABLE TOLERANCES HAVE BEEN DETERMINED AND ANY DEVIATIONS WILL BE CAUSE FOR REJECTION. REMOVE ALL BURRS AND SHARP EDGES	
DEC. DIM. ±							
FRAC. DIM. ±							
ANGULAR DIM. ±							
						TOLERANCES	
						DRAWN	
						CHECKED	
						FINAL APPROVAL	
						AC-121	
						B	