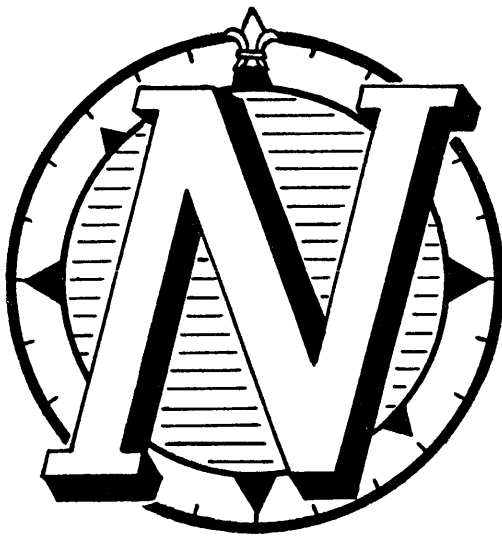


INSTRUCTION BOOK

LINE BATTERY POWER SUPPLY PANEL

TYPE 227 MODEL 1



## GUARANTEE

All items of equipment and material used in this unit are guaranteed against material defects, workmanship or manufacture, for a period of one (1) year from date of installation, except that the items of equipment and material are not guaranteed for a term longer than two (2) years from the date of shipment.

Under the terms of this guarantee, all items which fall within the periods defined above will be replaced F.O.B. point of installation without cost to the purchaser. The company will pay transportation charges on any defective part which it desires to have returned to its plant. If, upon examination of the defective item the company can show that failure was not due to any defective workmanship, material or manufacture, the company will bill the purchaser for the cost of replacement, including transportation charges.

NORTHERN RADIO COMPANY, Incorporated  
NEW YORK, NEW YORK

ADDENDUM NO. 2

February 7, 1963

This Addendum applies to units equipped with the Northern Radio Company Cover, NRC 1218.

A cover has been provided to protect the front panel controls of the shelf from accidental operation.

The cover extends approximately 1-1/4" in front of the front panel. Holes in the cover permit access to the power and load transfer switches and to the fuses and lampholders. The cover is secured by two (2) captive screws, one at each end.

ADDENDUM NO. 1

February 7, 1963

This Addendum applies to units equipped with the Northern Radio Extension Kit, NRC 1217.

A rack mounting flange has been provided to extend the shelf in front of the rack. The extension is such that with the modules installed, the maximum protrusion will be 8".

TABLE OF CONTENTS

1. GENERAL

Purpose  
Description  
Technical Data

2. INSTALLATION AND MAINTENANCE

3. ELECTRICAL PARTS LIST

4. SCHEMATIC DIAGRAM, NRC DWG. NO. B-227-1-01

1.

GENERAL

Purpose:

The Northern Radio Line Battery Power Supply Panel, Type 227 Model 1, is used as a mounting for holding two (2) Northern Radio Line Battery Power Supplies, Type 228. It includes an automatic power supply transfer feature through which one of the Type 228 Power Supplies is regularly connected to the load, and one is assigned as stand-by. Should the regular Supply fail for any reason, the load is switched to the stand-by supply. A power switch and a power supply selector switch are mounted on the front panel, along with blown fuse and power-on indicators for control and monitoring purposes.

Description:

The Northern Radio Line Battery Power Supply Panel, Type 227 Model 1, is a 19" wide shelf which mounts in a standard relay rack, occupying 3-1/2" height and approximately 11-1/2" overall depth when the Type 228 Power Supplies are mounted in the space provided on the rear of the shelf.

Technical Data:

Dimensions:	19" wide x 3-1/2" high x 11-1/2" deep
Mounting:	Mounts in a standard relay rack
Weight:	Unloaded: Approximately 5-1/2 lbs. Loaded with two (2) Type 228 Power Supplies: Approximately 23-1/2 lbs.
AC Input:	115/230 volts AC, 50/60 cycles $\pm$ 10%
Features:	Mounts two (2) Type 228 Line Battery Power Supplies. Includes an automatic power supply control facility, terminal blocks, and a line cord.

2.

INSTALLATION AND MAINTENANCE

Necessary information for making connections when a Type 227 Model 1 Panel is used alone is indicated on NRC Dwg. No. B-227-1-01.

Consult the appropriate System Instruction Book (e.g., Type 235 Model 1) for information regarding usage of the Type 227 Model 1 Panel, when it is part of a system.

Consult individual equipment Instruction Book for detailed information on the Type 228 Power Supplies.



4.

ELECTRICAL PARTS LIST

<u>Sym- bol</u>	<u>Function</u>	<u>Description</u>	<u>Mfr.</u>	<u>Part No.</u>
E1	D. C. output terminal strip	4 terminal barrier strip	KUL	600-Y-4-SI
F1	Supply #1 A. C. input fuse	1-1/2 amp "Slo Blo" 3AG fuse	LFU	31301.5
F2	Supply #2 A. C. input fuse	1-1/2 amp "Slo Blo" 3AG fuse	LFU	31301.5
F3	Supply #1 + D. C. output fuse	1-1/2 amp 3AG fuse	LFU	31201.5
F4	Supply #1 - D. C. output fuse	1-1/2 amp 3AG fuse	LFU	31201.5
F5	Supply #2 + D. C. output fuse	1-1/2 amp 3AG fuse	LFU	31201.5
F6	Supply #2 - D. C. output fuse	1-1/2 amp 3AG fuse	LFU	31201.5
I1	Supply #1 D. C. output indicator	Neon lamp	GEC	NE 51
I2	Supply #2 D. C. output indicator	Neon lamp	GEC	NE 51
J1	Receptacle for Power Supply	8 pin connector	AMP	26-4201-8S
J2	Receptacle for Power Supply	8 pin connector	AMP	26-4201-8S
J3	A. C. input connector	2 prong male chassis receptacle	HBJ	P-202-B
K1	Power Supply selector relay	Relay, DPDT, 110 volt DC coil octal plug base	PBM	
S1	Power Supply selector switch	Toggle switch DPST	CHC ANY	8360K7 MS35059-24
S2	Main power switch	Toggle switch DPDT	CHC ANY	8363K7 MS35059-23
XF1	F1 socket and blown fuse indicator	Indicating fuseholder	BUS	HKLX

Instruction Book  
 Line Battery Battery Power Supply Panel

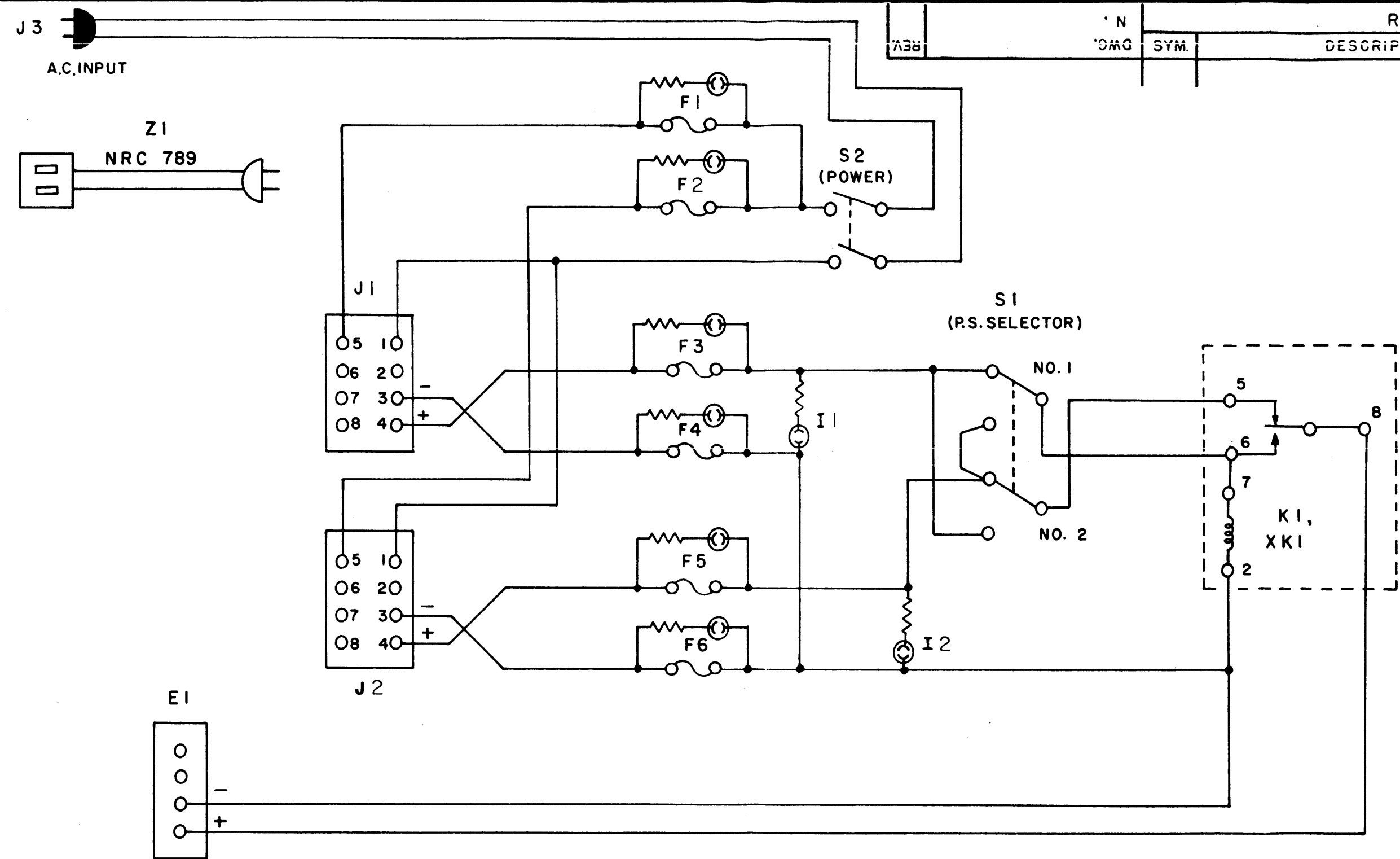
Electrical Parts List  
 Type 227 Model 1

<u>Sym- bol</u>	<u>Function</u>	<u>Description</u>	<u>Mfr.</u>	<u>Part No.</u>
XF2	F2 socket and blown fuse indicator	Indicating fuse holder	BUS	HKLX
XF3	F3 socket and blown fuse indicator	Indicating fuse holder	BUS	HKLX
XF4	F4 socket and blown fuse indicator	Indicating fuse holder	BUS	HKLX
XF5	F5 socket and blown fuse indicator	Indicating fuse holder	BUS	HKLX
XF6	F6 socket and blown fuse indicator	Indicating fuse holder	BUS	HKLX
XI1	Socket for I1	Pilot lamp assembly, clear lens, with rubber washer, bright NP finish	DLA	26408W-1137
XI2	Socket for I2	Pilot lamp assembly, clear lens, with rubber washer, bright NP finish	DLA	264
XK1	Socket for K1	Octal socket	EBY	TS101P02
Z1	Power cable	Main power cable	NRC	789

MANUFACTURERS' DESIGNATION

<u>Mfr. Part No.</u>	<u>Federal Code No.</u>	<u>Name</u>
AMP	02560	American Phenolic Corporation
BUS	71400	Bussman Manufacturing Company
CHC	15605	Cutler-Hammer, Incorporated
DLA	72619	Dialight Corporation
EBY	72825	Hugh H. Eby, Incorporated
GEC	24455	General Electric Company
HBJ	75173	Howard B. Jones, Division Cinch Manufacturing Company
KUL	75382	Kulka Electric Manufacturing Company, Inc.
LFU	75915	Littelfuse, Incorporated
NRC	88183	Northern Radio Company, Incorporated
PBM	77342	Potter & Brumfield

REVISIONS				
REV.	DATE	SYM.	DESCRIPTION	APPROVAL



UNLESS OTHERWISE SPECIFIED  
 DIMENSIONS ARE IN INCHES  
 TOLERANCES ON  
 FRACTIONS DECIMALS ANGLES  
 ± 1/64 ± .005

MATERIAL:

FINISH:

DRAFTSMAN J. G.	DATE 12-8-58
CHECKER	
ENGINEER	
APPROVAL	

NAME: SCHEMATIC, LAYOUT

LINE BATTERY POWER SUPPLY  
 PANEL

TYPE 227 MOD. I

SCALE: NONE SH. 1 OF 1

**NORTHERN RADIO COMPANY**  
 INCORPORATED  
 143-147 WEST 22ND ST. N.Y. 11  
 NEW YORK

DWG. No. 227-1-01

DWG. SIZE B